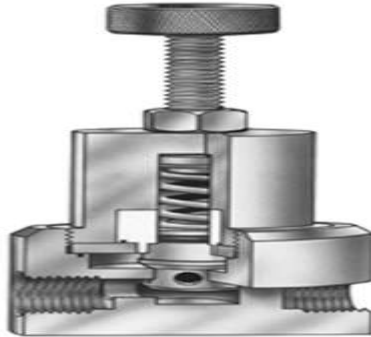


NLR

PATENT NO. N/A

Design Features

The R-K NLR series no lube pressure relief valve is a 2-port valve, ideal for high purity applications where lubricants are not permitted, to relieve excess pressure that may occur in the line or system. Adjust the threaded stem to obtain selected line or tank relief pressure. An outlet (tee) may be required on the inlet side of the valve. The valve starts to open as line pressure approaches set pressure between 10-80 P.S.I. The 1/4" valve is also available with a relief range of 60-125 P.S.I. It's designed so there is no metal contact with the fluid and top entry makes in-line maintenance easy. Suitable for harsh chemicals. Ideal for DI water and other high purity applications. Controlled pressure settings up to 100 P.S.I. available upon request.

No Lube Pressure Relief Valve**Specifications**

Pressure Ratings	Vacuum to 150 PSIG
Relief Pressure	10 to 80 PSIG standard
	Consult factory for higher relief requirements
Pressure differential	Plus or Minus 5 PSIG from any pre-set pressure relief point.
Material	ValveBody PVC Type 1, Grade 1
	Polypropylene
	PVDF
	Teflon
Seal	EPDM
	Viton(R)
	Kalrez(R)
Temperature Range	0 F to 140 for PVC
	0 F to 180 F for POLYPRO
	0 F to 280 F for PVDF
	0 F to 340 F for TEFLON
Valve ports	1/4" to 1" Valve FNPT
	1.5" to 2" Valve MPT
	All valves are fully ported
Mounting Method	(4) 1/4" -20 tapped holes for standard machine valve body.
	(1/4" to 1.00")

Kalrez® and Viton® are registered trademarks of DuPont Dow Elastomers.

Authorized Distributor:

Aetna Plastics Corp. 1702 St. Clair Ave. Cleveland, Ohio 44114 • Tel: 800-634-3074
216-781-4421 • Fax: 216-781-4474 • sales@aetnaplastics.com • www.aetnaplastics.com



P
r
o
d
u
c
t
s