



Specifications

Sizes: 1/2" – 4"
Models: Socket, Threaded, Flanged (ANSI)
Body: PVC
Screens: Standard: 20 mesh PVC
 Optional: PVC - 30 and 40 mesh
 Stainless Steel - 20, 40 and 60 mesh
Seals: EPDM, FKM
Sizes 1/2" - 4" PVC/EPDM/FKM
Models available with NSF-61 Certification

Standard Features

- True Union design facilitates installation or repair without expanding the pipeline
- Large filtration capacities and low pressure drops
- Transparent PVC strainer body permits easy evaluation of filter screen's condition
- Complete thermoplastic construction
- Pressure rating: 1/2" – 2", 150 psi; 3" and 4", 85 psi
- Sizes 1/2" – 2" supplied with two sets of end connectors (socket and threaded)

Options

- FKM seals for corrosive media
- Stainless Steel 316 screens available in 20, 40 and 60 mesh
- Inline cleaning (clean out valve)

Tips on Sediment Strainers

- Clean screen regularly.
- Union nut of screening section can be removed for quick and easy maintenance (no need to remove body from pipeline).
- Sediment strainers protect pipeline's important and costly components, such as pumps and meters, by removing suspended particles and impurities.
- Filtering section must face downward when installed.
- You must identify flow direction, shown by molded "Arrow" on the body, before installation.

Parts (Sizes 1/2" – 4")

PARTS			
NO.	DESCRIPTION	PCS.	MATERIAL
1	Body	1	PVC
2	Filter Screen	1	PVC, Stainless Steel 316
3	Screen Support	1	PVC
4	End Connector	2	PVC
5	Union Nut	3	PVC
6	Retaining Ring	1	PVC
7	Split Ring	1	PVC
8	O-Ring (A)	1	EPDM, FKM, Others
9	O-Ring (B)	2	EPDM, FKM, Others
10	Stop Ring	2	PVDF**

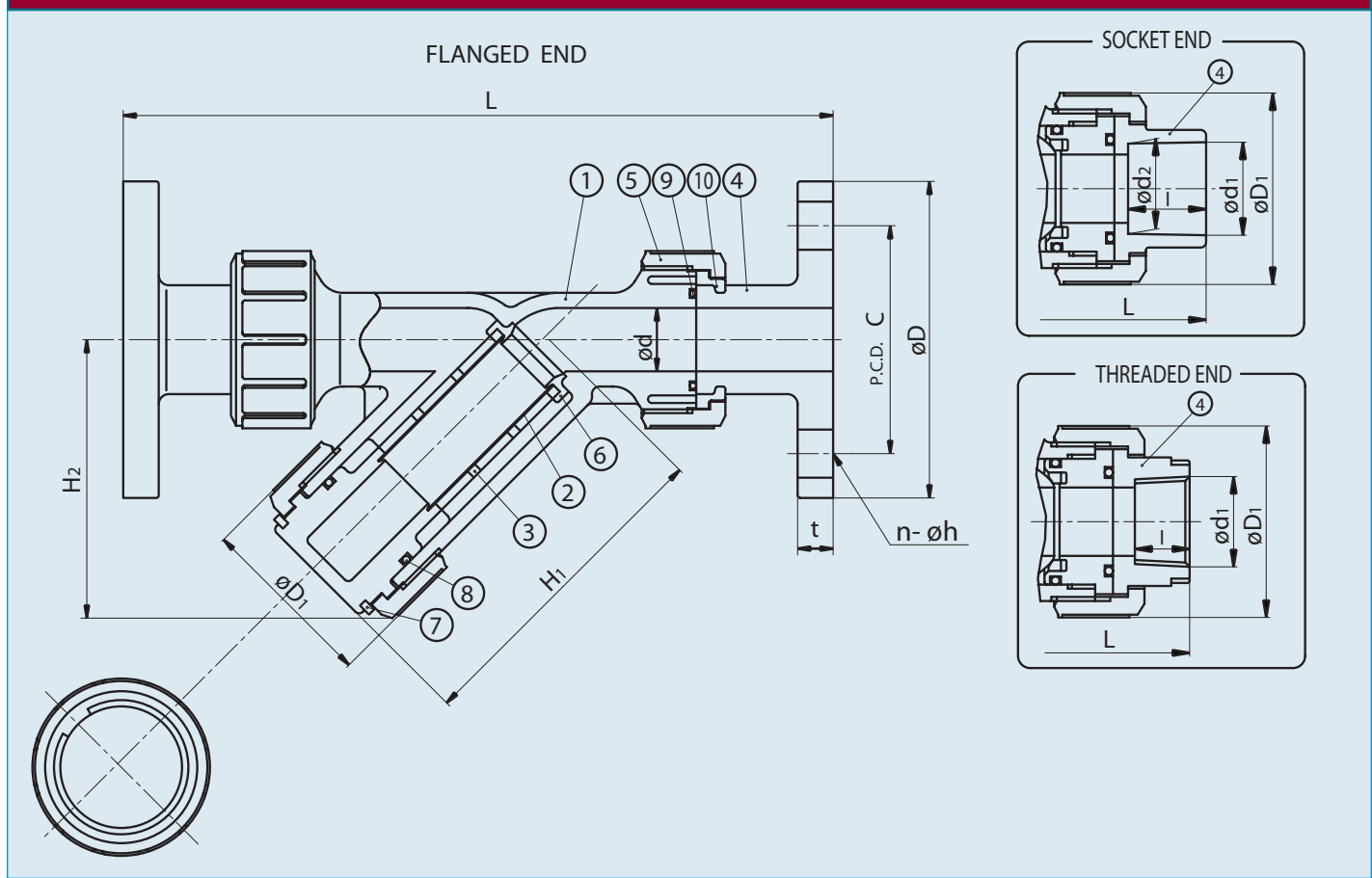
** Used for flanged end

Sample Specification

All True Union Sediment Strainers, Sizes 1/2" – 4", shall be of true union design and shall be constructed of transparent PVC. All O-rings shall be EPDM or FKM. Screens shall be 20, 30 and 40 mesh PVC or 20, 40 and 60 mesh 316 SS. Filter maintenance is achieved without removing strainer from the pipeline. PVC shall conform to ASTM D1784 Cell Classification 12454-A. Valves shall be rated to 150 psi sizes 1/2" thru 2" and 85 psi sizes 3" and 4" at 70 degrees F, as manufactured by Asahi/America, Inc.



Sediment Strainers



Dimensions (Sizes 1/2" - 4")

NOMINAL SIZE		FLANGED						SOCKET			THREADED			d	D1	H1	H2	
		ANSI CLASS 150						ASTM CLASS 40			L	d1	I					L
INCHES	mm	D	C	n	h	L	t	d1	d2	I				L	d1	I	L	
1/2	15	3.50	2.38	4	0.62	8.11	0.47	0.848	0.836	0.87	6.93	1/2-14 NPT	0.59	6.50	0.59	1.89	3.82	3.07
3/4	20	3.88	2.75	4	0.62	10.00	0.55	1.058	1.046	1.00	8.30	3/4-14 NPT	0.67	7.95	0.79	2.36	4.72	3.86
1	25	4.25	3.12	4	0.62	11.02	0.55	1.325	1.310	1.12	9.37	1-11 1/2 NPT	0.79	8.82	0.98	2.76	5.24	4.37
1 1/4	32	-	-	-	-	-	-	1.670	1.655	0.94	11.28	1 1/4-11 1/2 NPT	0.87	11.30	0.98	3.94	6.97	5.87
1 1/2	40	5.00	3.88	4	0.62	13.23	0.63	1.912	1.894	1.38	12.13	1 1/2-11 1/2 NPT	0.98	11.30	1.57	3.94	6.97	5.87
2	50	6.00	4.75	4	0.75	14.20	0.63	2.387	2.369	1.50	13.31	2-1 1/2 NPT	1.10	12.76	2.01	4.17	7.48	6.29
3	80	7.50	6.00	4	0.75	18.78	0.71	3.516	3.492	1.87	17.83	3 - 8 NPT	1.38	17.17	3.07	5.98	10.67	9.21
4	100	9.00	7.50	8	0.75	23.94	0.71	4.518	4.491	2.25	23.54	4 - 8 NPT	1.77	23.47	3.94	8.27	14.21	12.44

Weight (POUNDS)

NOMINAL SIZE		SOCKET THREADED	FLANGED
INCHES	mm		
1/2	15	0.66	1.10
3/4	20	1.32	2.20
1	25	1.76	3.31
1 1/2	40	4.41	5.51
2	50	5.51	8.82
3	80	15.43	18.74
4	100	40.78	45.19

Cv Values

NOMINAL SIZE		Cv
INCHES	mm	
1/2	15	5.2
3/4	20	7.5
1	25	14
1 1/2	40	34
2	50	50
3	80	110
4	100	165

Filter Screen Sizes*

MESH (HOLES PER LINEAR INCH)	20	30	40
MAXIMUM PARTICLE SIZE (INCH)	.033	.023	.011
MICRON PARTICLE SIZE (10-30 µ)	840	595	420

* For 60 mesh consult factory

Caution

- Never remove strainer from pipeline under pressure.
- Always wear protective gloves and goggles.

Authorized Distributor:

Aetna Plastics Corp. 1702 St. Clair Ave. Cleveland, Ohio 44114 • Tel: 800-634-3074
216-781-4421 • Fax: 216-781-4474 • sales@aetnaplastics.com • www.aetnaplastics.com