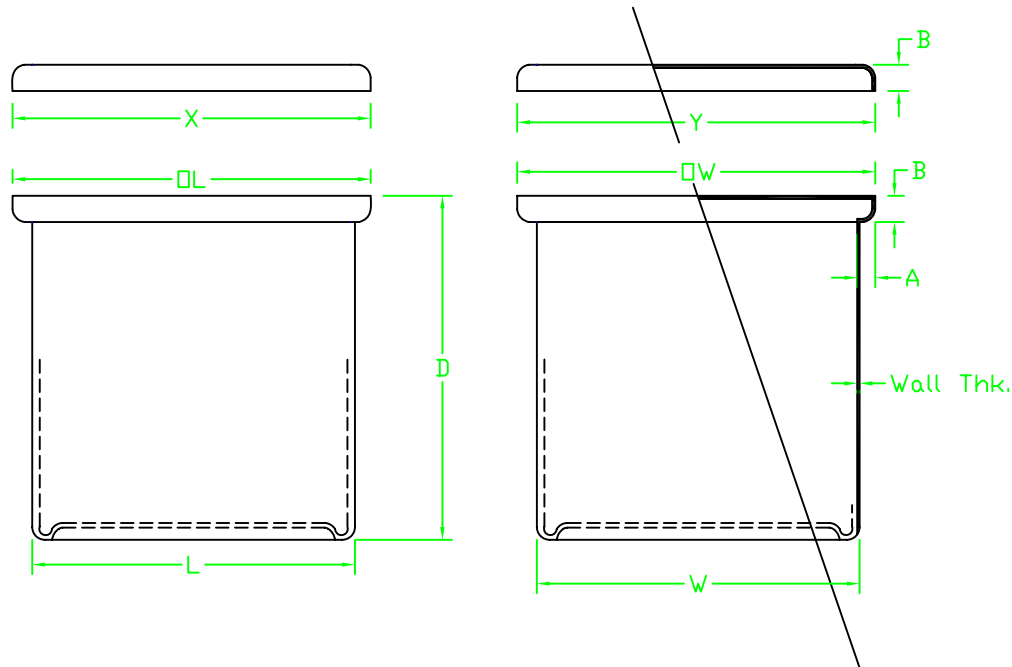



TANK SIZE	CAP GAL	OL	OW	L	W	D	A	B	WALL THK	COVER		SIZE CODE
										X	Y	
8 x 8 x 8	2	10.5625	10.5625	8.5625	8.3125	9.25	1.125	1.25	0.1563	11.0625	11.0625	-0002
14 x 10 x 10	6	16.6875	12.6875	14.4375	10.4375	11.4375	1.125	1.25	0.1563	17.3125	13.3125	-0005
12 x 12 x 12	7	14.5625	14.5625	12.3125	12.6875	14.3125	1.125	1.25	0.1563	15.0625	15.0625	-0010
18 x 12 x 12	11	20.6875	14.75	18.4375	12.5	13.4375	1.125	1.25	0.1563	21.3125	15.25	-0015
24 x 12 x 12	15	26.625	14.625	24.375	12.375	13.25	1.125	1.25	0.1563	27.125	15.125	-0020
24 x 24 x 12	30	26.75	26.75	24.37	24.37	13.56	1.190	1.25	0.1560	27.62	27.62	-0021
30 x 30 x 12	47	32.50	32.50	30.12	30.12	13.56	1.190	1.25	0.1560	33.75	33.75	-0022
18 x 4 x 18	6	21	6.6875	19.75	4.4375	20.8125	1.125	1.25	0.1563	21.5	7.1875	-0030
12 x 12 x 18	11	14.5625	14.5625	14.25	14.25	20.8125	1.125	1.25	0.1563	15.0625	15.0625	-0035
18 x 12 x 18	15	20.6875	14.75	18.4375	12.5	19.8125	1.125	1.25	0.1563	21.3125	15.25	-0040
18 x 18 x 18	25	20.625	20.625	18.375	18.375	19.25	1.125	1.25	0.1563	21.125	21.125	-0042
24 x 12 x 18	22	26.625	14.625	24.375	12.375	19.25	1.125	1.25	0.1563	27.125	15.125	-0043
24 x 18 x 18	30	26.1875	20.6875	23.9375	18.4375	19.5625	1.125	1.25	0.1563	27.4375	21.125	-0045
36 x 20 x 20	60	39.1875	22.375	36.9375	20.5	22	1.125	1.25	0.1875	39.75	23.375	-0050
18 x 12 x 24	22	20.625	14.625	18.375	12.375	25.75	1.125	1.25	0.1563	21.3125	15.25	-0060
24 x 12 x 24	30	26.81	14.75	24.56	12.25	25.44	1.125	1.25	0.1560	27.56	15.56	-0062
24 x 18 x 24	45	26.6875	20.5625	24.4375	18.3125	25.1875	1.125	1.25	0.1563	27.4375	21.125	-0065
36 x 24 x 24	90	38.25	26.06	36.00	23.81	25.00	1.125	1.25	0.1560	38.88	25.69	-0070
24 x 4 x 30	12	26.38	5.94	24.88	4.44	31.19	0.750	1.25	0.1900	26.75	6.50	-0075
24 x 8 x 36	25	26.38	9.88	24.13	7.31	31.19	0.750	1.25	0.1300	26.75	10.44	-0080
30 x 30 x 30	115	32.50	32.50	30.12	30.12	31.50	1.190	1.25	0.1880	33.75	33.75	-0081
24 x 24 x 36	90	26.69	26.69	25.31	25.31	37.25	1.190	1.25	0.1900	27.38	27.38	-0090
30 x 30 x 36	140	32.50	32.50	30.12	30.12	37.25	1.190	1.25	0.1900	33.75	33.75	-0091

Nominal Dimensions-Inches



CAT. NO.			
14300-0002	14300-0022	14300-0045	14300-0070
14300-0005	14300-0030	14300-0050	14300-0075
14300-0010	14300-0035	14300-0060	14300-0080
14300-0015	14300-0040	14300-0062	14300-0081
14300-0020	14300-0042	14300-0065	14300-0090
14300-0021	14300-0043	14300-0066	14300-0091

 I-295 & Harmony Rd, Box 248, Mickleton, NJ 08056 TEL: (856) 426-6630 FAX (856) 423-8182		THIS DRAWING IS THE PROPERTY OF SAINT-GOBAIN PERFORMANCE PLASTICS AND IS LOANED UPON CONDITION THAT IT IS NOT TO BE REPRODUCED OR COPIED, IN WHOLE OR IN PART, OR USED FOR FURNISHING INFORMATION TO ANY PERSON OR COMPANY WITHOUT THE PRIOR WRITTEN CONSENT OF THE CORPORATION'S INTEREST AND SHALL BE RETURNED UPON REQUEST.	
DESCRIPTION			
Rectangular Tanks with Covers - Crosslink Polyethylene			
MATERIAL XLPE	TOLERANCES (except as noted)		DRAWN F. Haque
SCALE Full	DECIMAL	±	CHECKED
DATE 04-11-02	FRACTIONAL	±	
	ANGULAR	±	REVISION
DRAWING NUMBER		14300 Series	