



## Pipeline Accessories



### Gauge Guards - PVC, Corzan® CPVC, PPL and PVDF

Gauge guards isolate and protect gauges and other instruments from the process media. They work in any position in both vacuum and pressure applications. Hayward gauge guards can be supplied without a gauge or with either a 0 to 30, 0 to 60 or 0 to 160 PSI gauge installed.



#### Features

- 1/4" x 1/4" or 1/4" x 1/2" Threaded NPT Connections
- FPM Membrane
- Air Bleed Port for Gauge Installation
- All Plastic, No Rust or Corrosion
- No Metal Fasteners
- Low Profile, Compact Design
- Work in any Position

### Valve-Safe Lockouts

Hayward valve lockouts are made from PPL and are used to prevent tampering or other unauthorized valve operation. Lockouts can be used to secure the valve in either the open or closed position.



#### Features

- Simple Trigger Mechanical Design
- Lockout/Tagout Clasp

#### Features

- Use With up to Three Padlocks
- Valve Handle is Completely Enclosed
- Impact Resistant

### Ready Flanges - PVC, Corzan® CPVC and PPL - 1" to 4"

Hayward Ready Flanges easily convert socket PVC and CPVC valves or threaded PPL valves to flanged connections. Ready Flanges feature a one-piece body with an integral nipple, eliminating the need for an extra fabricated joint and preventing a possible leak path.

Corzan® is a trademark of Noveon, Inc.



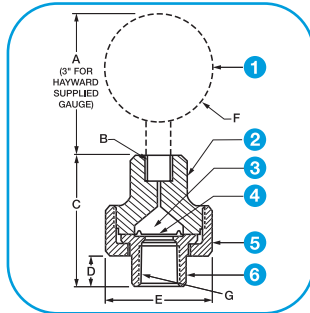
#### Features

- Integral Molded Nipple
- 150# ANSI Bolt Pattern
- Easy, One-Step Installation



## Technical Information

### Gauge Guards



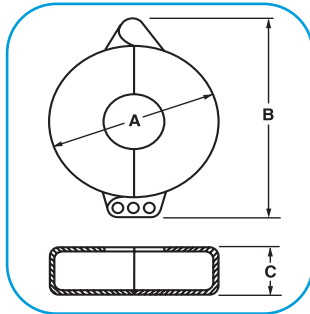
#### Parts List

1. Gauge/Instrument
2. Body
3. Oil-Filled Upper Chamber with Installed Gauge
4. FPM Membrane
5. Union Nut
6. End Connector

### Dimensions - Inches / Millimeters

Size	A	B	C	D	E	F	G
1/4" x 1/4"	3.0 / 76	1/4" NPT	2.69 / 68	0.61 / 15	2.25 / 57	2.3 / 58	1/4"
1/4" x 1/2"	3.0 / 76	1/4" NPT	2.69 / 68	0.61 / 15	2.25 / 57	2.3 / 58	1/2"

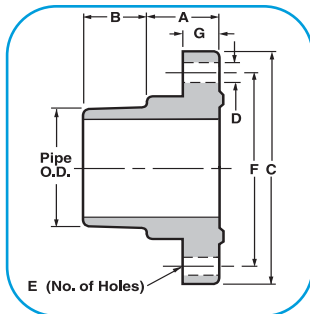
### Valve-Safe Lockouts



### Dimensions - Inches / Millimeters

Size	A	B	C
1/2" to 2" Ball Valves	5.50 / 140	7.00 / 178	1.75 / 44
2-1/2" to 6" Ball Valves	14.50 / 368	16.00 / 406	3.00 / 76

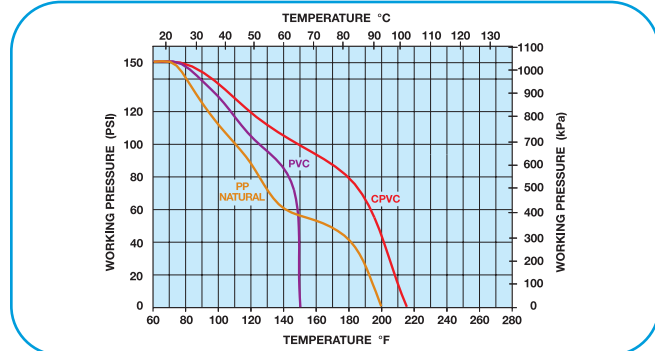
### Ready Flanges



### Dimensions - Inches / Millimeters

Size	A	B	C	D	E	F	G	Weight (lb / kg)
1"	1.25 / 32	1.19 / 30	4.50 / 114	0.56 / 14	4	3.13 / 80	.56 / 14	0.50 / .23
1-1/2"	1.50 / 38	1.44 / 37	5.00 / 127	0.56 / 14	4	3.88 / 99	0.75 / 19	0.75 / .34
2"	1.65 / 42	1.54 / 39	6.00 / 152	0.75 / 19	4	4.75 / 121	0.75 / 19	1.25 / .57
3"	1.98 / 50	1.84 / 47	7.50 / 191	0.75 / 19	4	6.00 / 152	1.00 / 25	2.75 / 1.25
4"	2.36 / 60	2.31 / 54	9.00 / 229	0.75 / 19	8	7.50 / 191	1.13 / 29	4.50 / 2.04

### Operating Temperature/Pressure



Authorized Distributor:

Aetna Plastics Corp. 1702 St. Clair Ave. Cleveland, Ohio 44114 • Tel: 800-634-3074  
216-781-4421 • Fax: 216-781-4474 • sales@aetnoplastics.com • www.aetnoplastics.com