

Available from Aetna Plastics Corp.  
www.aetnoplastics.com  
1-800-634-3074  
Quantity and OEM Discounts May Apply

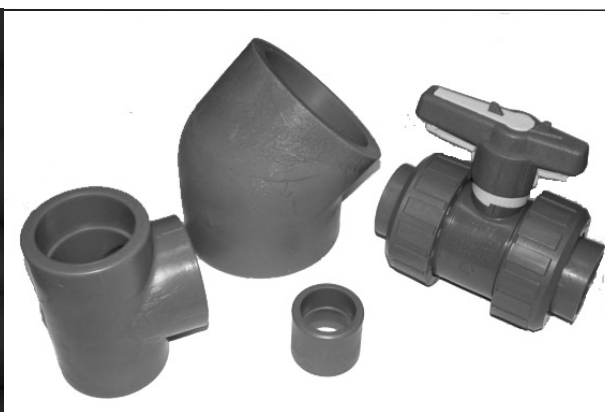
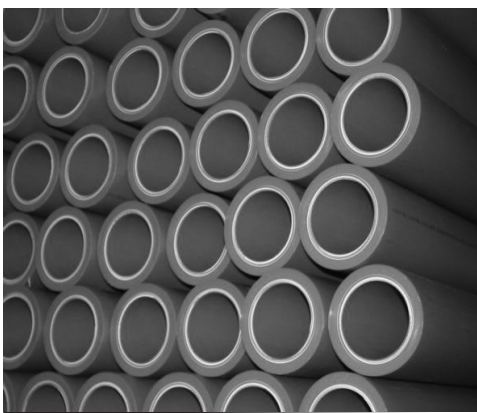
Asahi/America  
Effective 04/1/11  
Subject to change without notice  
Pipe & Fittings-Price Code A  
Proweld Equipment-Price Code C

# **Air-Pro™**

## **Compressed Air Piping System**

**Made from specially formulated  
high density polyethylene resins**

### **List Price Sheet #AP-11**



[www.asahi-america.com](http://www.asahi-america.com)

## **SOCKET PIPE & FITTINGS**

Pipe, Socket 90, Socket 45 Socket Tee	Page 3
Reducing Tee, Coupling, Stub End, Backing Ring	Page 4
Reducing Bushing, Cap, Male Adapter, Female Adapter	Page 5
Spigot Gooseneck, Socket 90 x FNPT	Page 6

## **BUTT & ELECTROFUSION PIPE & FITTINGS**

Pipe, Coupling, Elongated 90, Elongated 45	Page 7
Tee, Reducing Tee, Concentric Reducer, Cap	Page 8
Stub End, Backing Ring, Tapping Saddle, Tapping Saddle w/Valve	Page 9

## **VALVES**

Ball Valve, New PE Ball Valves	Page 10
--------------------------------	---------

## **WELDING EQUIPMENT**

Hand Socket, Bench Socket, Heater Inserts, Beveler, Scraper Tools, Polymatic Welder. Tapping Saddle Tools	Page 11
--	---------

## **POLICIES**

Freight Policy	Page 12
----------------	---------

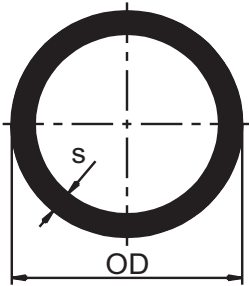
Return Policy	Page 13
---------------	---------

Warranty	Page 15
----------	---------

# Socket Fittings

# Air-Pro™

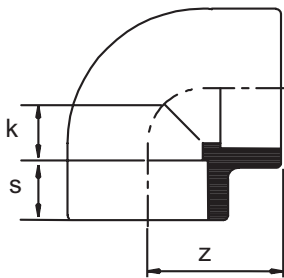
**Air-Pro™ Pipe**  
(sold in 16.4 ft lengths)



Size (mm)	Size (inch)	OD (inch)	s (inch)	Weight (lb/ft)	Part#	LIST (5m lt)	LIST (ft)
20	1/2	0.79	0.110	0.10	5802005	\$ 25.00	\$ 1.60
25	3/4	0.98	0.138	0.16	5802007	\$ 37.00	\$ 2.30
32	1	1.26	0.173	0.26	5802010	\$ 61.00	\$ 3.80
40	1-1/4	1.57	0.217	0.40	5802012	\$ 96.00	\$ 6.00
50	1-1/2	1.97	0.272	0.63	5802015	\$ 149.00	\$ 9.30
63	2	2.48	0.339	0.99	5802020	\$ 235.00	\$ 14.70
90	3	3.54	0.484	2.01	5802030	\$ 280.00	\$ 17.50
110	4	4.33	0.594	3.01	5802040	\$ 419.00	\$ 26.20
Butt Fusion Only							
160	6	6.30	0.575	4.48	5803060	\$ 485.00	\$ 30.30
200	8	7.87	0.717	6.99	5803080	\$ 757.00	\$ 47.30
250	10	9.84	0.894	10.89	5803100	\$ 1,179.00	\$ 73.70
315	12	12.40	1.126	17.21	5803120	\$ 1,863.00	\$ 116.40

Air-Pro™ Pipe Systems 160-315mm are black, SDR 11 and rated at 160psi. Blue Air-Pro™ pipe available upon request fittings remain black 160-315.

## Socket 90



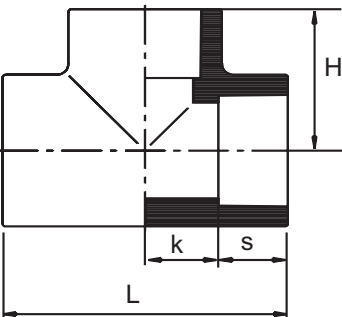
Size (mm)	Size (inch)	z (inch)	s (inch)	k (inch)	Part#	LIST
20	1/2	1.177	0.626	0.551	5805005	\$ 5.00
25	3/4	1.378	0.709	0.669	5805007	\$ 6.00
32	1	1.547	0.760	0.787	5805010	\$ 7.00
40	1-1/4	1.815	0.831	0.984	5805012	\$ 16.00
50	1-1/2	2.055	0.953	1.102	5805015	\$ 31.00
63	2	2.421	1.043	1.378	5805020	\$ 41.00
90	3	3.311	1.382	1.929	5805030	\$ 90.00
110	4	3.937	1.693	2.244	5805040	\$ 134.00

## Socket 45



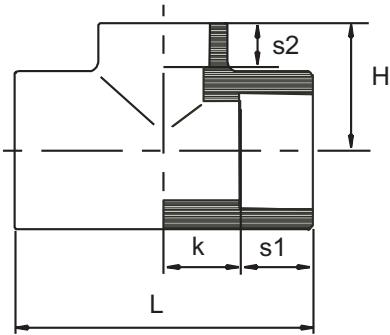
Size (mm)	Size (inch)	z (inch)	s (inch)	k (inch)	Part#	LIST
20	1/2	1.063	0.630	0.433	5808005	\$ 5.00
25	3/4	1.240	0.689	0.551	5808007	\$ 6.00
32	1	1.468	0.799	0.669	5808010	\$ 7.00
40	1-1/4	1.673	0.846	0.827	5808012	\$ 16.00
50	1-1/2	1.984	0.961	1.024	5808015	\$ 31.00
63	2	2.402	1.102	1.299	5808020	\$ 41.00
90	3	3.256	1.445	1.811	5808030	\$ 90.00
110	4	3.886	1.681	2.205	5808040	\$ 127.00

## Socket Tee



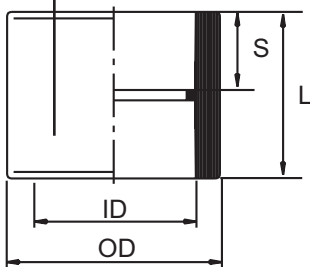
Size (mm)	Size (inch)	L (inch)	H (inch)	s (inch)	k (inch)	Part#	LIST
20	1/2	2.362	1.177	0.626	0.551	5820005	\$ 6.00
25	3/4	2.756	1.378	0.748	0.630	5820007	\$ 6.00
32	1	3.126	1.547	0.760	0.787	5820010	\$ 9.00
40	1-1/4	3.701	1.831	0.846	0.984	5820012	\$ 16.00
50	1-1/2	4.252	2.134	0.972	1.161	5820015	\$ 43.00
63	2	4.933	2.461	1.142	1.319	5820020	\$ 57.00
90	3	7.268	3.594	1.488	2.106	5820030	\$ 120.00
110	4	8.150	4.075	1.654	2.421	5820040	\$ 158.00

## Socket Reducing Tee



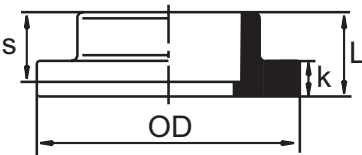
Size (mm)	Size (inch)	L (inch)	H (inch)	s1 (inch)	s2 (inch)	k (inch)	Part#	LIST
25/20	3/4x1/2	2.657	1.240	0.720	0.618	0.608	5824101	\$ 10.00
32/20	1x1/2	3.094	1.551	0.776	0.610	0.772	5824130	\$ 11.00
32/25	1x3/4	3.094	1.535	0.776	0.689	0.772	5824131	\$ 12.00
40/20	1-1/4x1/2	3.504	1.772	0.843	0.618	0.909	5824166	\$ 33.00
40/25	1-1/4x3/4	3.476	1.724	0.858	0.717	0.880	5824167	\$ 33.00
40/32	1-1/4x1	3.583	1.772	0.846	0.748	0.945	5824168	\$ 33.00
50/20	1-1/2x1/2	4.213	1.949	1.012	0.622	1.094	5824208	\$ 52.00
50/25	1-1/2x3/4	4.213	1.996	0.992	0.705	1.114	5824210	\$ 52.00
50/32	1-1/2x1	4.213	2.067	0.945	0.748	1.161	5824211	\$ 52.00
50/40	1-1/2x1-1/4	4.213	2.067	0.965	0.827	1.142	5824212	\$ 52.00
63/25	2x3/4	5.079	2.559	1.126	0.709	1.413	5824248	\$ 72.00
63/32	2x1	5.059	2.559	1.126	0.748	1.404	5824249	\$ 72.00
63/40	2x1-1/4	5.059	2.539	1.126	0.846	1.404	5824250	\$ 72.00
63/50	2x1-1/2	5.059	2.539	1.126	0.945	1.404	5824251	\$ 72.00

## Socket Coupling



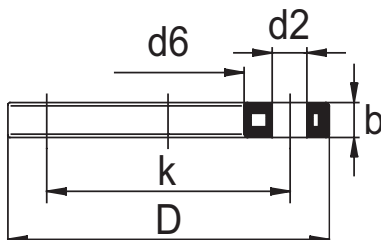
Size (mm)	Size (inch)	L (inch)	OD (inch)	ID (inch)	s (inch)	Part#	LIST
20	1/2	1.378	1.181	0.787	0.634	5816005	\$ 4.00
25	3/4	1.535	1.374	0.984	0.709	5816007	\$ 5.00
32	1	1.677	1.681	1.260	0.787	5816010	\$ 7.00
40	1-1/4	1.811	2.035	1.575	0.866	5816012	\$ 11.00
50	1-1/2	2.024	2.520	1.968	0.965	5816015	\$ 26.00
63	2	2.335	3.169	2.480	1.110	5816020	\$ 36.00
90	3	3.059	4.496	3.543	1.378	5816030	\$ 42.00
110	4	3.543	5.244	4.331	1.681	5816040	\$ 73.00

## Socket Stub End



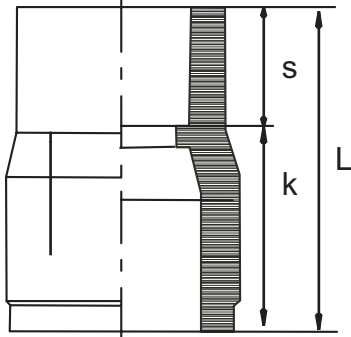
Size (mm)	Size (inch)	L (inch)	OD (inch)	s (inch)	k (inch)	Part#	LIST
20	1/2	0.827	1.748	0.630	0.382	5833005	\$ 11.00
25	3/4	0.906	2.129	0.669	0.374	5833007	\$ 15.00
32	1	0.984	2.499	0.748	0.382	5833010	\$ 18.00
40	1-1/4	1.043	2.814	0.866	0.433	5833012	\$ 23.00
50	1-1/2	1.181	3.249	0.941	0.472	5833015	\$ 27.00
63	2	1.319	3.952	1.083	0.543	5833020	\$ 35.00
90	3	1.654	4.606	1.358	0.630	5833030	\$ 61.00
110	4	1.890	6.712	1.614	0.736	5833040	\$ 91.00

## PPG Backing Ring



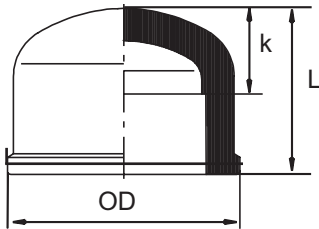
Size (mm)	Size (inch)	D (inch)	k (inch)	d2 (inch)	d6 (inch)	b (inch)	# Holes	Part#	LIST
20	1/2	3.740	2.380	0.630	1.102	0.472	4	5046005	\$ 20.00
25	3/4	4.016	2.750	0.630	1.339	0.472	4	5046007	\$ 23.00
32	1	4.488	3.120	0.630	1.654	0.630	4	5046010	\$ 30.00
40	1-1/4	5.118	3.500	0.630	2.008	0.630	4	5046012	\$ 36.00
50	1-1/2	5.236	3.880	0.630	2.441	0.709	4	5046015	\$ 38.00
63	2	6.378	4.750	0.787	3.071	0.709	4	5046020	\$ 45.00
90	3	7.638	6.000	0.787	4.370	0.709	8	5046030	\$ 60.00
110	4	9.016	7.500	0.787	5.236	0.709	8	5046040	\$ 77.00

## Spigot x Socket Reducing Bushing



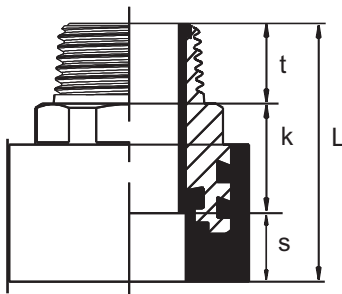
Size (mm)	Size (inch)	L (inch)	s (inch)	k (inch)	Part#	LIST
25/20	3/4x1/2	1.496	0.618	0.878	5829101	\$ 5.00
32/20	1x1/2	1.732	0.614	1.118	5829130	\$ 6.00
32/25	1x3/4	1.732	0.697	1.035	5829131	\$ 6.00
40/20	1-1/4x1/2	1.949	0.61	1.339	5829166	\$ 12.00
40/25	1-1/4x3/4	1.949	0.689	1.260	5829167	\$ 12.00
40/32	1-1/4x1	1.968	0.78	1.189	5829168	\$ 12.00
50/20	1-1/2x1/2	2.165	0.646	1.52	5829208	\$ 18.00
50/25	1-1/2x3/4	2.138	0.697	1.441	5829210	\$ 18.00
50/32	1-1/2x1	2.146	0.701	1.445	5829211	\$ 18.00
50/40	1-1/2x1-1/4	2.126	1.004	1.122	5829212	\$ 18.00
63/25	2x3/4	2.520	0.709	1.811	5829248	\$ 28.00
63/32	2x1	2.520	0.787	1.732	5829249	\$ 28.00
63/40	2x1-1/4	2.500	0.827	1.673	5829250	\$ 28.00
63/50	2x1-1/2	2.520	0.965	1.555	5829251	\$ 28.00
90/63	3x2	3.366	1.1902	2.264	5829338	\$ 40.00
110/63	4x2	3.465	1.122	2.343	5829420	\$ 54.00
110/90	4x3	3.445	1.476	1.968	5829422	\$ 54.00

## Socket Cap



Size (mm)	Size (inch)	OD (inch)	L (inch)	k (inch)	Part#	LIST
20	1/2	1.280	1.063	0.445	5812005	\$ 5.00
25	3/4	1.484	1.201	0.587	5812007	\$ 6.00
32	1	1.831	1.358	0.661	5812010	\$ 6.00
40	1-1/4	2.283	1.496	0.886	5812012	\$ 11.00
50	1-1/2	2.756	1.850	1.161	5812015	\$ 24.00
63	2	3.406	2.362	1.583	5812020	\$ 33.00
90	3	4.685	3.150	2.504	5812030	\$ 43.00
110	4	5.512	3.701	3.004	5812040	\$ 57.00

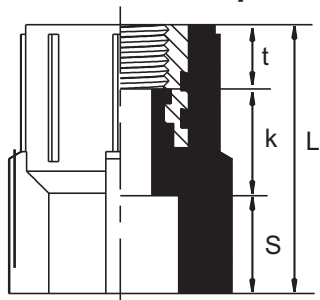
## Socket MNPT Adapter



Size (mm)	Size (inch)	L (inch)	s (inch)	k (inch)	t (inch)	Part#	LIST
20	1/2	2.244	0.591	1.043	0.610	5859005	\$ 18.00
25	3/4	2.402	0.669	1.102	0.669	5859007	\$ 29.00
32	1	2.598	0.709	1.181	0.709	5859010	\$ 50.00
40	1-1/4	2.795	0.827	1.142	0.827	5859012	\$ 65.00
50	1-1/2	3.031	0.945	1.142	0.945	5859015	\$ 95.00
63	2	3.268	1.083	1.102	1.083	5859020	\$ 130.00

- Nickel plated brass threads  
- 230 psi rated

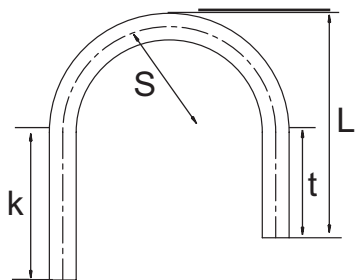
## Socket FNPT Adapter



Size (mm)	Size (inch)	L (inch)	s (inch)	k (inch)	t (inch)	Part#	LIST
20	1/2	1.598	0.62	0.386	0.591	5853005	\$ 19.00
25	3/4	1.606	0.62	0.386	0.709	5853007	\$ 21.00
32	1	1.850	0.71	0.386	0.787	5853010	\$ 29.00
40	1-1/4	1.949	0.79	0.386	0.827	5853012	\$ 55.00
50	1-1/2	2.268	0.91	0.386	1.004	5853015	\$ 93.00
63	2	2.567	1.04	0.386	1.142	5853020	\$ 125.00

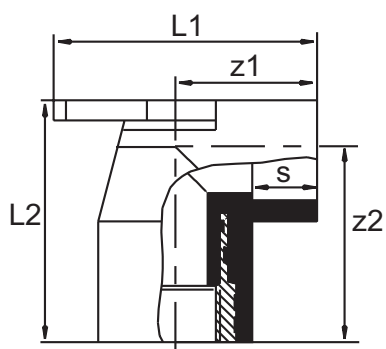
- Nickel plated brass threads  
- 230 psi rated

## Spigot Gooseneck



Size (mm)	Size (inch)	L (inch)	S (inch)	k (inch)	t (inch)	Part#	LIST
20	1/2	10	5	7	5	5835005	\$ 25.00
25	3/4	9	5	7	4	5835007	\$ 26.00
32	1	10	5	7	5	5835010	\$ 28.00

## Air-Pro™ Socket 90 x FNPT w/ MTG Bracket

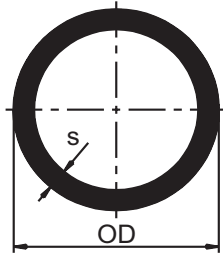


Size (mm)	Size (inch)	L1 (inch)	L2 (inch)	z1 (inch)	z2 (inch)	s (inch)	Part#	LIST
20	1/2	2.559	2.362	1.398	1.772	0.551	5857005	\$ 28.00

# Butt & Electrofusion Fittings

# Air-Pro™

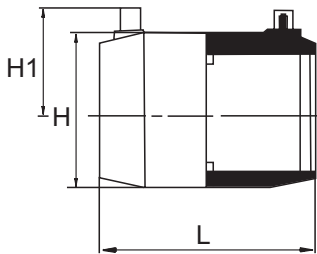
## Air-Pro™ Pipe (sold in 16.4 ft lengths)



Size (mm)	Size (inch)	OD (inch)	s (inch)	Weight (lb/ft)	Part#	LIST (5m It)	LIST (ft)
160	6	6.30	0.575	4.48	5803060	\$ 485.00	\$ 30.30
200	8	7.87	0.717	6.99	5803080	\$ 757.00	\$ 47.30
250	10	9.84	0.894	10.89	5803100	\$ 1,179.00	\$ 73.70
315	12	12.40	1.126	17.21	5803120	\$ 1,863.00	\$ 116.40

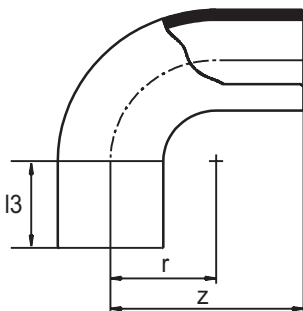
Air-Pro™ Pipe Systems 160-315mm are black, SDR 11 and rated at 160psi. Blue Air-Pro pipe available upon request fittings remain black 160-315.

## Electrofusion Coupling



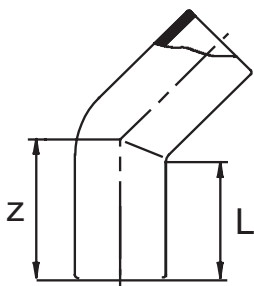
Size (mm)	Size (inch)	L (inch)	H (inch)	H1 (inch)	Part#	LIST
20	1/2	2.953	1.181	1.437	5817005	\$ 17.00
25	3/4	3.189	1.378	1.457	5817007	\$ 20.00
32	1	3.504	1.654	1.693	5817010	\$ 21.00
40	1-1/4	3.898	2.087	1.929	5817012	\$ 22.00
50	1-1/2	4.370	2.638	2.087	5817015	\$ 35.00
63	2	5.000	3.268	2.205	5817020	\$ 36.00
90	3	5.591	4.528	2.913	5817030	\$ 68.00
110	4	5.984	5.512	3.268	5817040	\$ 82.00
160	6	7.165	7.874	4.252	5817060	\$ 160.00
200	8	8.543	9.646	5.079	5817080	\$ 271.00
250	10	9.449	12.205	6.260	5817100	\$ 514.00
315	12	10.236	15.354	7.835	5817120	\$ 800.00

## Elongated 90



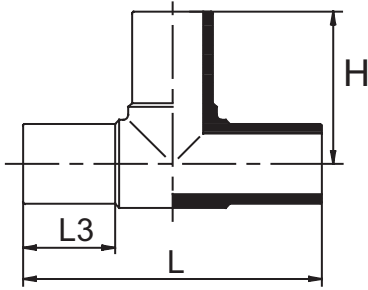
Size (mm)	Size (inch)	z (inch)	r (inch)	I3 (inch)	Part#	LIST
160	6	12.638	6.535	6.102	5811060	\$ 234.00
200	8	14.882	8.189	6.693	5811080	\$ 311.00
250	10	17.323	10.039	7.677	5811100	\$ 691.00
315	12	21.260	12.480	8.661	5811120	\$ 1,239.00

## Elongated 45



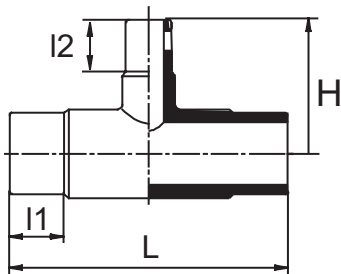
Size (mm)	Size (inch)	z (inch)	L (inch)	Part#	LIST
160	6	6.161	4.587	5809060	\$ 187.00
200	8	6.772	4.803	5809080	\$ 280.00
250	10	8.543	6.220	5809100	\$ 647.00
315	12	9.882	6.968	5809120	\$ 1,222.00

## Elongated Tee



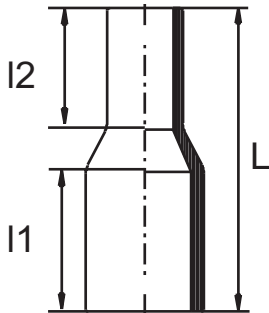
Size (mm)	Size (inch)	L (inch)	H (inch)	I3 (inch)	Part#	LIST
160	6	16.063	7.972	3.937	5823060	\$ 306.00
200	8	21.653	10.827	5.315	5823080	\$ 575.00
250	10	24.488	12.205	5.827	5823100	\$ 883.00
315	12	29.646	14.764	6.693	5823120	\$ 1,695.00

## Elongated Reducing Tee



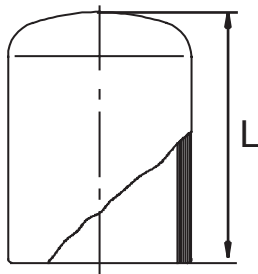
Size (mm)	Size (inch)	L (inch)	H (inch)	I1 (inch)	I2 (inch)	Part#	LIST
160/63	6x2	13.386	6.753	3.819	2.638	5825530	\$ 280.00
160/90	6x3	13.504	6.968	3.976	3.149	5825531	\$ 280.00
160/110	6x4	11.417	7.618	3.858	3.268	5825532	\$ 302.00
200/110	8x4	21.653	9.449	5.276	4.055	5825585	\$ 545.00
200/160	8x6	21.653	10.433	5.276	4.488	5825627	\$ 545.00
315/110	12x4	21.496	11.417	6.693	3.937	5825628	\$ 1,865.00
315/200	12x8	22.638	12.205	6.693	4.724	5825660	\$ 1,865.00
315/250	12x10	26.378	13.110	6.693	5.905	5825673	\$ 1,950.00

## Elongated Conc. Reducer



Size (mm)	Size (inch)	L (inch)	L1 (inch)	L2 (inch)	Part#	LIST
160/110	6x4	8.740	3.858	3.465	5831532	\$ 119.00
200/160	8x6	9.921	4.409	4.016	5831585	\$ 170.00
250/160	10x6	12.362	6.102	4.449	5831627	\$ 369.00
250/200	10x8	12.362	6.102	4.921	5831628	\$ 386.00
315/200	12x8	14.764	7.047	5.236	5831660	\$ 662.00
315/250	12x10	14.764	6.693	6.102	5831673	\$ 662.00

## Elongated Cap

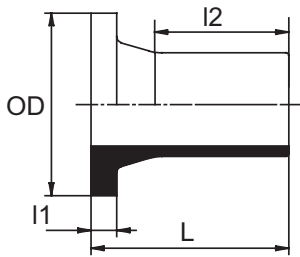


Size (mm)	Size (inch)	L (inch)	Part#	LIST
160	6	6.594	5813060	\$ 111.00
200	8	7.146	5813080	\$ 179.00
250	10	9.055	5813100	\$ 321.00
315	12	10.315	5813120	\$ 612.00

# Butt & Electrofusion Fittings

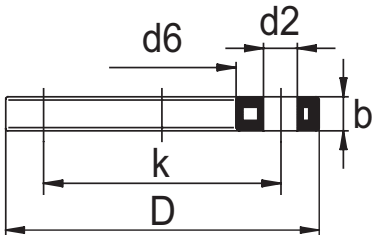
Air-Pro™

## Elongated Stub End



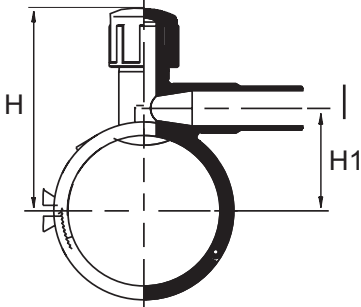
Size (mm)	Size (inch)	OD (inch)	L (inch)	L1 (inch)	L2 (inch)	Part#	LIST
160	6	8.346	7.146	0.984	4.980	5832060	\$ 70.00
200	8	10.551	7.146	1.260	4.626	5832080	\$123.00
250	10	12.598	10.827	1.378	7.953	5832100	\$204.00
315	12	14.567	15.039	1.378	11.890	5832120	\$392.00

## Ductile Iron Backing Ring



Size (mm)	Size (inch)	D (inch)	k (inch)	d2 (inch)	d6 (inch)	b (inch)	# Holes	Part#	LIST
63	2	6.378	4.750	0.787	3.071	0.709	4	5048020	\$ 39.00
90	3	7.638	6.000	0.787	4.370	0.709	8	5048030	\$ 46.00
110	4	9.016	7.500	0.787	5.236	0.709	8	5048040	\$ 57.00
160	6	11.142	9.500	0.866	7.008	0.945	8	5048060	\$ 66.00
200	8	13.583	11.750	0.866	9.291	0.945	8	5048080	\$ 76.00
250	10	16.220	14.250	0.984	11.339	1.063	12	5048100	\$106.00
315	14	19.173	17.000	0.984	13.307	1.260	12	5048120	\$150.00

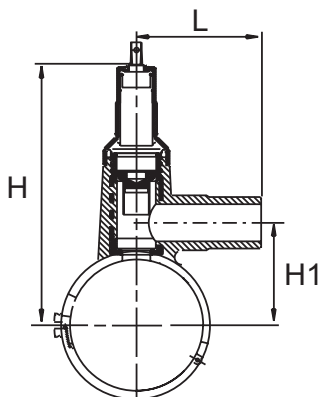
## Reducing Electrofusion Tapping Saddle



Size (mm)	Size (inch)	H (inch)	H1 (inch)	Part#	LIST
63/32	2x1	5.039	2.165	5839249	\$ 140.00
90/32	3x1	5.433	2.559	5839336	\$ 153.00
90/63	3x2	6.142	2.559	5839338	\$ 170.00
110/32	4x1	6.024	3.150	5839401	\$ 176.00
110/63	4x2	6.732	3.150	5839420	\$ 188.00
160/25	6x3/4	7.717	4.134	5839514	\$ 215.00
160/32	6x1	7.717	4.134	5839516	\$ 215.00
160/63	6x2	7.717	4.134	5839530	\$ 215.00

Air-Pro™ Pipe Electrofusion Saddles are rated at 150psi.

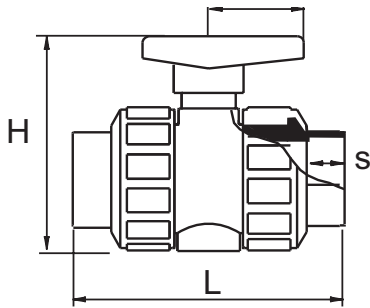
## Reducing Electrofusion Tapping Saddle w/ Valve



Size (mm)	Size (inch)	L (inch)	H (inch)	H1 (inch)	Part#	LIST
63/32	2x1	4.528	8.150	2.165	5838249	\$ 579.00
90/32	3x1	4.528	8.543	2.559	5838336	\$ 599.00
110/63	4x2	5.905	11.811	3.937	5838420	\$ 623.00
160/63	6x2	5.905	12.795	4.921	5838530	\$ 651.00
200/63	8x2	5.905	13.583	5.709	5838581	\$ 718.00

Air-Pro™ Pipe Electrofusion Saddles are rated at 150psi.

## Socket Ball Valve



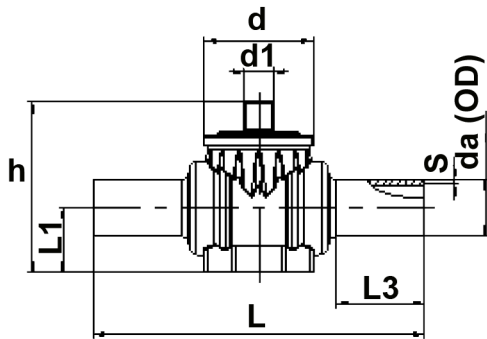
Size (mm)	Size (inch)	L (inch)	H (inch)	b (inch)	s (inch)	Part#	LIST
20	1/2	3.787	1.890	1.673	0.571	5801005	\$ 135.00
25	3/4	4.370	2.126	2.165	0.630	5801007	\$ 162.00
32	1	4.724	2.244	2.165	0.709	5801010	\$ 184.00
40	1-1/4	5.433	3.031	2.559	0.807	5801012	\$ 236.00
50	1-1/2	6.339	3.465	2.953	1.071	5801015	\$ 297.00
63	2	7.480	3.760	3.425	1.457	5801020	\$ 382.00
90	3	11.181	6.220	5.315	1.516	5801030	\$ 817.00

Air-Pro™ Ball Valves sizes 20-63mm are rated 230 psi.

Air-Pro™ Ball Valve size 90-mm are rated 150 psi.

## Ball Valve w/o Gear (SDR 11)

## NEW ITEM

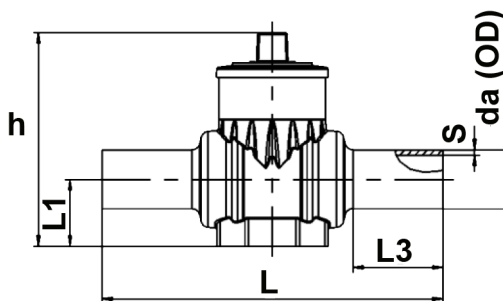


Size (mm)	Size (inch)	s (inch)	L (inch)	L1 (inch)	L3 (inch)	h (inch)	Weight/Pounds	Part #	LIST
32	1	0.118	11.26	1.81	3.15	5.91	1.81	5881010	\$ 245.00
50	1-1/2	0.181	12.91	2.45	3.74	7.87	3.84	5881015	\$ 316.00
63	2	0.228	16.14	3.03	4.53	8.86	8.07	5881020	\$ 540.00
90	3	0.323	20.51	3.94	5.32	10.83	15	5881030	\$ 714.00
110	4	0.394	23.43	4.80	5.91	12.28	24.36	5881040	\$ 764.00

\*Consult factory for IPS version of valve.

## Ball Valve w/ Gear (SDR 11)

## NEW ITEM



Size (mm)	Size (inch)	s (inch)	L (inch)	L1 (inch)	L3 (inch)	h (inch)	Weight/Pounds	Part #	LIST
63	2	0.228	16.14	3.03	4.53	11.41	9.97	5884020	\$ 687.00
90	3	0.323	20.51	3.94	5.32	13.39	17.6	5884030	\$ 861.00
110	4	0.394	23.43	4.8	5.91	14.76	26.79	5884040	\$ 911.00
160	6	0.575	33.47	6.46	8.86	20.87	71.43	5884060	\$ 2,634.00

\*Consult factory for IPS version of valve.

## Proweld Hand Socket Welder

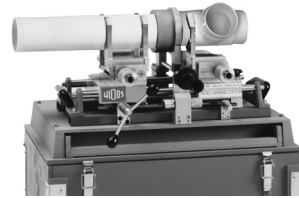


The hand held Socket Fusion 2 tool is the smallest welding tool offered by Asahi/America. It is a socket fusion tool capable of welding from 1/2" - 2". It is ideal for pipe sizes from 1/2" - 1-1/4". It features convenient table clamp for support during bench welding. Tools require socket heater inserts and beveling tools, which are sold separately.

**Part number: 5687001**  
**List Price: \$720.00**

**Rental PN#: 9687001**  
**Daily \$50**  
**Weekly \$120**  
**Monthly \$380**

## W3500 Bench Socket Welder



The W3500 is a bench style tool for conducting Socket Fusion. It is capable of fusing from 3/4" - 4". Special angled clamps make pipe and fitting clamping simplified with little change out required when switching sizes. Tools require socket heater inserts and beveling or scrapping tools, which are sold separately.

**Part number: 5711000**  
**List Price: \$13,600**

**Rental PN#: 9711000**  
**Daily \$140**  
**Weekly \$420**  
**Monthly \$1,550**

## Socket Fusion Heater Inserts



Size(mm)	Size(inch)	Part#	LIST
20	1/2	5797005	\$ 83.00
25	3/4	5797007	\$ 90.00
32	1	5797010	\$ 140.00
40	1-1/4	5797012	\$ 162.00
50	1-1/2	5797015	\$ 172.00
63	2	5797020	\$ 205.00
75	2-1/2	5797025	\$ 260.00
90	3	5797030	\$ 285.00
110	4	5797040	\$ 367.00

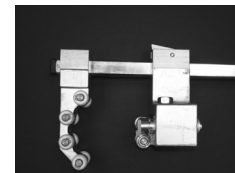
## SME-1 Pipe Beveler



The SME-0 tool is ideal for beveling the ends of plastic pipes up to 63mm (2") that will be inserted into socket fusion coupling.

**Part Number 5686003**  
**List Price \$ 300.00**

## Scraper Tools



Scraper Tools are required for electrofusion, and are recommended for 90 - 110mm (3" - 4") socket fusion. Asahi/America offers a wide range of scraping tools for a variety of sizes & applications. Please consult us for the best recommendation.

### PFR 225 (4"-9")

**Part Number: 5832225**  
**List Price: \$ 1,725.00**

**Rental Number: 9832225**  
**Weekly Rental Rate: \$230.00**

### PFR 110 (3/4" - 4")

**Part Number: 5831110**  
**List Price: \$1,022.00**

**Rental Number: 9831110**  
**Weekly Rental Rate: \$170.00**

## Polymatic Electrofusion

### Welding Machine



The Polymatic is suitable for all electrofusion fittings up to 48 volts. All parameters are set using a bar code input device. Automated control of all welding parameters insures safe and reliable fusion. The entire tool features a tough thermoplastic housing which resists damage due to moisture.

The Polymatic welds both HDPE and Polypropylene.

**Part number: 5830000**  
**List Price \$9,100.00**

**Rental PN#: 9830000**  
**Daily \$110 , Weekly \$320,**  
**Monthly \$980**

## Tapping Saddle Tools



### Tapping Saddle Locking Clamp

Clamping device for locking electrofusion tapping saddles in place prior to welding. Used in conjunction with saddles on page 8 of this price sheet.

**Part Number 5875000**  
**List Price \$ 450.00**

**Rental PN# 9875000**  
**Daily, \$25 , Weekly \$75 , Monthly \$300**



### Tapping Saddle T-Bar Set

Used for saddle penetration of pipe main. Used in conjunction with saddles on page 8 of this price sheet.

**Part Number 5875002**  
**List Price \$125.00**

## STANDARD FREIGHT POLICY Valves, Pipe, Fittings, & Equipment

## Freight Policy

Freight will be allowed on the following orders:

1. \$ 2,000.00 Net or greater for valves.\*
  2. \$ 5,000.00 Net or greater for single wall pipe and fittings.
- \* Combined orders of valves and pipe must meet requirements of pipe orders to qualify for freight allowed.

Freight will be allowed on the following orders for Alaska, Hawaii, and Puerto Rico:

1. \$ 3,000.00 Net or greater for valves.
2. \$ 25,000.00 Net or greater for single wall pipe and fittings. (Excludes dual wall products)

### The following shipments are NOT freight allowed:

1. International orders
2. All HDPE products excluding Air-Pro
3. Rental machines
4. Welding machine purchases
5. Prefabricated pipe spools
6. EM Technik products
7. Dymatrix
8. Pro-Lock Piping, Fluid Lok Piping, PolyFlo Piping, Duo Pro Piping
9. Back Orders

### NOTES:

- All Double Wall pipe products are freight terms PPA.
- All truck shipments are via common carrier and are to be selected by Asahi/America, Inc.
- Selection of alternate carriers is negotiable between Distributors and Asahi/America, Inc.
- Freight charges for expedited portions of freight allowed shipments are the responsibility of the distributor.
- Freight charges on freight allowed backorders will be paid by Asahi/America, Inc.
- Freight for add-ons and releases will not be allowed.
- Returns of rental equipment must be prepaid.
- Freight will not be allowed on oversized loads, spools, double lengths of pipe, etc.
- International orders must include contact name, telephone or fax number, and International freight account number.

### Terms and Conditions

**Shipments:** Asahi/America will not be liable for any delay in performance of orders or contracts, or in delivery of shipment of goods, or for any damage suffered by buyer by reason of such delay performance, when such delay is directly or indirectly caused by acts of God, war, labor difficulties, shortage of materials, or supplies beyond its control. Asahi/America reserves the right to discontinue products and make changes in products offered at any time.

**Claims:** All claims must be made in writing and received by Asahi/America within 10 days after receipt of merchandise. If a shipment is received in damaged condition, a claim must be filed with the delivering carrier and noted on the freight bill before you accept the merchandise.

**Returns and Cancellations:** Refer to our policy custserv.309 Revision C.

**Terms:** 2% 15 days. Net 30 days. An interest charge of 1 1/2% percent per month (an annual rate of 18%) will be charged in states where legal on the unpaid balance owed together with cost of collection including reasonable attorney's costs.

**Minimum Billing Charge:** Asahi/America will charge a \$75.00 net minimum order requirement on all orders. Any tax or duty imposed by any government will be added to the sales price.

ASAHI/AMERICA, INC.

### Return Merchandise Policy

EFFECTIVE 02/01/00

Asahi/America, Inc., (A/A) will authorize the return of product providing guidelines are adhered to as follows.

---

#### Canceled Orders

A/A will accept the cancellation of Purchase Orders (PO) with no restocking charges under the following conditions:

- A/A has not started production of manufactured products.
- A/A has not placed a purchase order to our vendors for non-stock product or custom product.
- A/A has not already, picked, packaged and or shipped the product.

Cancellation of orders that do not meet the above conditions may be approved under special consideration and will be subject to a minimum 30% restocking charge, or cancellation charge.

---

#### Authorized Returns

A/A will authorize the return of product with a minimum 30% restocking charge under the following conditions.

- Product must have been purchased within the last six months.
- Product must be considered stock item by A/A.
- Product must be in resellable condition.

---

#### Product Evaluations

A/A will authorize the return of product for evaluation upon completion of the RMA form. (See enclosure)

- A/A, upon completion of the evaluation, will repair, replace, or issue a credit for the defective product if it is determined that the cause of failure is the responsibility of A/A. A/A. retains the sole right to determine the correct course of action.
- A/A will notify the customer if it is determined that the cause of failure is due to normal wear and tear after the expiration of the warranty, misapplication, or improper use. In the event that the failure is not the responsibility of A/A the customer is to determine the corrective action that will be taken. A/A will not proceed with a repair or replacement until a purchase order is supplied by the customer. The purchase order must cover all expenses incurred by A/A.

---

#### Freight

Customer is responsible for all freight costs associated with a return that is not directly attributed to an A/A. error or product failure covered under warranty. All returns must be sent prepaid; any collect shipments will be refused and returned to the Customer.

- A/A will be responsible for all standard freight costs for product evaluations where it is determined that the cause of failure is the responsibility of A/A.

### Procedures

A/A will process all RMAs within four (4) weeks of receipt of the product providing the following procedures were followed. Please note; A/A is not responsible for any product that is shipped to our facilities without a completed RMA form. **A/A will not process returns that are not accompanied by an authorized RMA number and product may be returned to the Customer at the customer's expense.**

All correspondences must be made directly to our RMA department.

Telephone Numbers: 1-800-343-3618 ext. 4544

1-781-388-4544

Fax Number 1-781-388-4777

E-mail RMA@Asahi-America.com

- RMA form must be filled out with all relevant information and forwarded to A/A's
- RMA department. The form must include the following minimum information:
  - Original PO #, Original Invoice #, Original Order #.
  - Supply itemized list of proposed return with A/A part numbers.
  - Specify reason for return.
- Upon successful completion of the RMA form and preliminary review, A/A will assign an RMA number and forward to the customer.
- A/A. may elect to inspect product on site prior to issuing an RMA number.
- Customer must properly package the product, the RMA number must be visible on all packages and indicated on the packing list, and arrange shipment of the product to A/A.
- Customer must insure that product is returned in resellable condition in original packaging excluding product that is returned for repair or evaluation.
- Customer must insure that all product has been decontaminated and does not present a health or safety problem to anyone that handles it.
- A/A will notify customer of any discrepancies with regards to quantity and/or quality of the returned product.
- A/A will process credit upon completion of a successful inspection of the returned product.
- Product returned for evaluation will follow the above guidelines with the following exception. A resolution to the evaluation must be agreed upon prior to the repair/replacement/credit of the product. The customer will have a two-week period to act upon A/A's resolution to the evaluation. A/A will return the product to the customer at the customer's expense, if no response is forwarded within this time frame. The customer, prior to the completion of the repair must place a purchase order if it is determined that the failure is proven not to be the responsibility of A/A.

A/A will provide a full report of product returned for evaluation upon written request.

### Lost/Damaged Shipments

Damaged shipments and shortages must be signed and acknowledged by the carrier's driver. All claims for lost or damaged shipments must be made directly by the customer to the delivering carrier at time of delivery.

A/A's Customer Service Department must be notified in writing within 10 days of receipt of orders that appear to be short shipped by our shipping department. A/A will validate this claim through weight calculations and other means available. Customer's requests for proof of delivery by A/A must be made within 30 days of receipt of invoice. After 30 days, the product will be considered as delivered.

**WARRANTY**

Warranty; Limitation on Liability. Asahi/America, Inc., (“Seller”) warrants, to the original Buyer only, that all products delivered hereunder shall be free from defects in design and manufacture for a period of one year from the date of delivery, provided that such products are installed, used, operated, adjusted and serviced only in a proper and appropriate manner and in strict accordance with any instructions relating thereto furnished to Buyer by Seller. In no event shall the foregoing warranty extend to any products in any way caused or allowed to be, or installed, operated or used in such a manner as to be, subject or exposed to conditions of misuse, abuse or accident.

**THE FOREGOING WARRANTY IS EXCLUSIVE AND IN LIEU OF ANY AND ALL OTHER WARRANTIES, EXPRESS OR IMPLIED. NO WARRANTY OF MERCHANTABILITY, NO IMPLIED WARRANTY OF FITNESS FOR ANY PARTICULAR PURPOSE, AND NO IMPLIED WARRANTY ARISING BY USAGE OF TRADE, COURSE OF DEALING OR COURSE OF PERFORMANCE IS GIVEN BY SELLER OR SHALL ARISE BY OR IN CONNECTION WITH THIS SALE AND/OR THE SELLER’S AND/OR BUYER’S CONDUCT IN RELATION THERETO OR TO EACH OTHER, AND IN NO EVENT SHALL SELLER BE LIABLE ON ANY SUCH WARRANTY WITH RESPECT TO ANY PRODUCT.**

Liability of the Seller under or in connection with this sale and/or the foregoing warranty shall be limited, at the sole option of the Seller, to one repair of, replacement of, or a refund of the purchase price of any products or part thereof (a), with respect to which Seller receives, promptly after Buyer’s discovery of any alleged defect and prior to the expiration of the one-year warranty period as provided above, notice from Buyer or Buyer’s claim defect and (b) which shall be returned to Seller by Buyer, as provided herein, promptly after Buyer’s discovery of such alleged defect and which shall be determined by the Seller to have proven defective within the one-year warranty period provided above; failure by Buyer to notify Seller and return such products to Seller after Buyer’s discovery of such alleged defect shall constitute a waiver by Buyer of any and all claims of any kind with respect thereto. Any products returned by Buyer to Seller under the foregoing terms shall be returned to Seller’s place of business freight prepaid, accompanied or preceded by Buyer’s particularized statement of the claimed defect. The risk of loss and freight charges to and from Seller in connection with any returned products shall be borne by Buyer; but Seller shall bear such additional freight charges arising in connection with any such returned products ultimately determined by Seller to be defective under the terms of the foregoing warranty, the cost of repair or replacement (if any) of such products, and the risk of loss or damage which such products are in Seller’s possession at its place of business. The foregoing remedy shall constitute the sole and exclusive remedy of the Buyer under or in connection with this sale and/or warranty of the Seller. Except as specifically provided herein, Seller shall not be responsible or liable for any costs, expenses or damages of Buyer in connection with any removal, repair or replacement (including any attempts or actions relating thereto) of any allegedly defective products, and no charge of setoff of any kind of Buyer relating thereto shall be made against the Seller without prior and specific written approval of Seller.

**IN NO EVENT SHALL SELLER BE RESPONSIBLE OR LIABLE FOR ANY SPECIAL, INDIRECT, INCIDENTAL OR CONSEQUENTIAL DAMAGES ARISING IN ANY WAY IN CONNECTION WITH ANY PRODUCTS OR THIS SALE.**

The agreement of Seller to sell its products is expressly conditioned upon the Buyer’s assent to, and Seller agrees to sell its products only upon, all terms and conditions set forth above and on the face hereof. Buyer’s acceptance of any products provided under this sale shall constitute such assent.

Authorized Distributor:

**Aetna Plastics Corp. 1702 St. Clair Ave. Cleveland, Ohio 44114 • Tel: 800-634-3074  
216-781-4421 • Fax: 216-781-4474 • sales@aetnoplastics.com • www.aetnoplastics.com**