



**Specifications**

**Sizes:** 1-1/2" - 12"  
**Models:** Wafer Style  
**Operators:** Lever and Gear  
**Bodies:** PVC  
**Discs:** PVC  
**Seats:** EPDM  
**Seals:** EPDM  
**Stems:** 316 stainless steel

**Standard Features (Sizes 1-1/2" - 12")**

- **Submersible**  
Material of construction allows complete submersion of valve body as all components are compatible with Chlorinated water.
- **PVC/PVC/EPDM Construction**  
Ideal for Chlorinated water applications.
- **Blue Handle Design**  
Blue handle designates the proper valve is in place for Chlorinated water applications.
- **316SS Non-wetted Stem**  
Stem does not come in contact with the media but is still compatible if in direct contact.
- **Thermoplastic Material**  
Lightweight construction allows for easy installation.
- **ISO Mounting Pad**  
Allows for field mounting of accessories including stem extensions, gear operators & automation.

**Sample Specifications**

All "Pool-Pro" Type SP Butterfly Valves sizes 1 1/2"-12" shall be of a PVC, Body,PVC Disc and EPDM construction suitable for Chlorinated water applications. Stem shall be of 316 stainless steel and non-wetted.Valves shall be a self-gasketing design with a convex sealing arrangement. All "Pool-Pro" Type SP (1 1/2"-10") valves shall be rated to 150 psi and size (12") 100 psi at 70 degrees F as manufactured by Asahi/America, Inc.

**Dimensions**

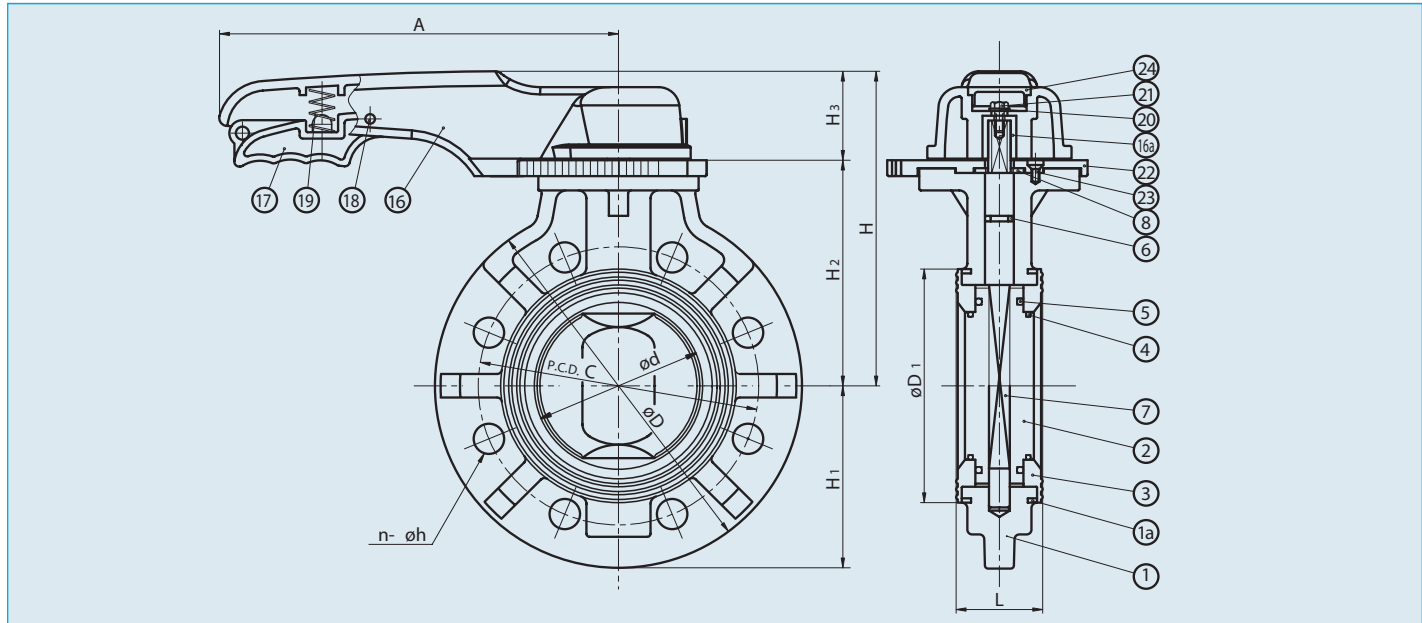
NOMINAL SIZE		ANSI CLASS 150																
INCHES	mm	d	C	n	h	D	D1	D2	D3	L	H	H1	H2	H3	l	A	A1	
1 1/2	40	1.85	3.88	4	0.62	5.91	3.23	4.80	6.30	1.54	5.12	2.95	3.74	3.74	8.27	6.57	2.52	
2	50	2.24	4.75	4	0.75	6.50	3.43	4.80	6.30	1.65	5.36	3.27	3.98	3.74	8.51	6.57	2.52	
2 1/2	65	2.80	5.50	4	0.75	7.28	4.41	4.80	6.30	1.81	5.79	3.66	4.41	3.74	8.94	6.57	2.52	
3	80	3.15	6.00	4	0.75	7.87	4.84	4.80	6.30	1.81	6.07	3.94	4.69	3.74	9.22	6.57	2.52	
4	100	4.13	7.50	8	0.75	9.02	5.79	4.80	6.30	2.20	6.77	4.53	5.39	3.74	9.92	6.57	2.52	
5	125	5.16	8.50	8	0.88	10.00	7.09	4.80	6.30	2.60	7.84	5.00	6.46	3.74	10.99	6.57	2.52	
6	150	6.06	9.50	8	0.88	11.22	8.27	4.80	6.30	2.80	8.35	5.63	6.97	3.74	11.50	6.57	2.52	
8	200	8.03	11.75	8	0.88	13.39	10.12	4.80	6.30	3.43	9.61	6.69	8.23	3.74	12.76	6.57	2.52	
10	250	10.08	14.25	12	1.00	15.98	12.44	4.80	6.30	4.33	10.87	7.99	9.49	3.74	14.02	6.57	2.52	
12	300	12.60	17.00	12	1.00	19.02	14.57	7.40	11.81	5.08	13.39	9.53	11.73	4.25	19.29	9.53	3.90	

**Parts List (Sizes 1 1/2" - 12")**

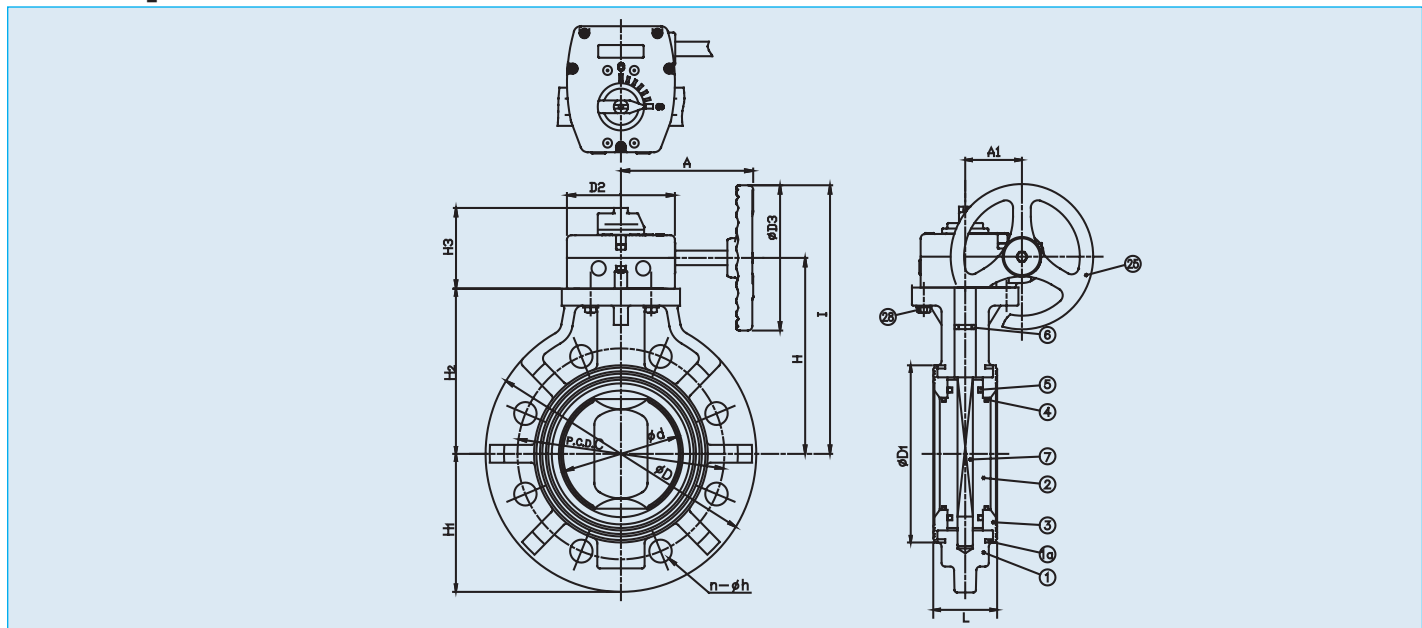
PARTS			
NO.	DESCRIPTION	PCS.	MATERIAL
1	Body	1	PVC
2	Disc	1	PVC
3	Seat	1	EPDM
4	O-Ring (A)	2	EPDM
5	O-Ring (B)	2	EPDM
6	O-Ring (C)	1	EPDM
7	Stem	1	Stainless Steel 316
8	Stem Holder	1	Stainless Steel 304
16	Handle	1	PP
16a	Metal Insert in Handle	1	Stainless Steel 316L
17	Handle Lever	1	PPG
18	Pin	1	PPG
19	Spring	1	Stainless Steel 304
20	Washer (A)	1	Stainless Steel 304
21	Bolt (B)	1	Stainless Steel 304
22	Locking Plate	1	PPG
23	Screw (B)	4	Stainless Steel 304
24	Cap (A)	1	PP
25	Gear Box	1	Plasgear™
28	Bolt (C)	4	Stainless Steel 304

# Pool-Pro Type SP Butterfly Valve

## Lever Style



## Gear Style



## Pressure vs Temperature

NOMINAL SIZE		30 °F
		120 °F
INCHES	mm	
1 1/2	40	150 PSI
2	50	150 PSI
2 1/2	65	150 PSI
3	80	150 PSI
4	100	150 PSI
6	150	150 PSI
8	200	150 PSI
10	250	150 PSI
12	300	100 PSI

## Weight (lbs)

NOMINAL SIZE		Lever/Gear Operated (lbs)
INCHES	mm	
1 1/2 (L)	40	2.7
2 (L)	50	3.1
2 1/2 (L)	65	3.5
3 (L)	80	4.0
4 (L)	100	5.5
6 (L)	150	13.3
8 (L)	200	19.9
8 (G)	200	24.3
10 (G)	250	41.0
12 (G)	300	58.4

## CV Values

NOMINAL SIZE		Cv (at various opening degrees)		
INCHES	mm	30°	60°	90°
1 1/2	40	2.9	43.3	71
2	50	3.9	56.1	92
2 1/2	65	5.9	85.4	140
3	80	9.3	134	220
4	100	15.1	231	380
6	150	46.6	671	1100
8	200	106	1425	2500
10	250	270	1476	3600
12	300	408	2140	5160

Authorized Distributor:

Aetna Plastics Corp. 1702 St. Clair Ave. Cleveland, Ohio 44114 • Tel: 800-634-3074  
216-781-4421 • Fax: 216-781-4474 • sales@aetnoplastics.com • www.aetnoplastics.com