

# Polypropylene Bolted Ball Valves

## FEATURES

- FKM (viton type) seals.
- PTFE self-lubricating stem bushings and seats cannot stick or bind.
- Precision molded in polypropylene.
- Polypropylene is reinforced with fiberglass for additional strength.
- Self-aligning ball moves freely against the PTFE seats for smooth operation.
- Valve opens and closes with very little pressure on the handle.
- Ball is diamond turned, after molding, to make it spherically perfect, which provides precise contact between ball and seats.
- Stainless steel bolts.



## 6 BOLT VALVES

PART NO.	DESCRIPTION	MAX PSI	PIPE SIZE	OPENING THRU BALL	QUANTITY	PRICE
V200FP	Valve — Full Port	150	2"	2"	8/per box	\$70.75
V300	Valve — Standard Port	100	3"	2½"	8/per box	\$113.90
V300FP	Valve — Full Port	100	3"	3"	6/per box	\$169.08
V400	Valve — Standard Port	75	4"	3½"	4/per box	\$369.55



**VFMT200FP**  
(shown w/long handle)

## 6 BOLT VALVES W/"F" ADAPTER

PART NO.	DESCRIPTION	MAX PSI	PIPE SIZE	OPENING THRU BALL	QUANTITY	PRICE
VFMT200FP	Valve — Full Port w/"F" Adapter	150	2"	2"	6/per box	\$82.27
VFMT200FPSH	Valve — Full Port w/"F" Adapter	150	2"	2"	6/per box	\$82.27

## ACCESSORIES

PART NO.	DESCRIPTION	VALVE USED	PRICE
VL25153	Locking Device	V200FP, V300, V300FP, V400, VFMT200FP, VFMT200FPSH	\$26.05
V25271	90° Mounting Bracket	V200FP, V300, V300FP, V400, VFMT200FP, VFMT200FPSH	\$15.75
V25270	Straight Mounting Bracket	V200FP, V300, V300FP, V400, VFMT200FP, VFMT200FPSH	\$13.35
V25153SH	Short Handle	VFMT200FPSH Only	\$11.78

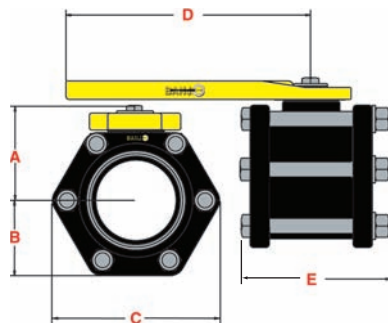


## LOCKING HANDLE FEATURES

- Stainless steel hardware.
- Locks in open and closed positions.
- Locking handle replaces standard handle.
- Padlock not included.
- Available for valves V200FP, V300, V300FP, V400, VFMT200FP, VFMT200FPSH.



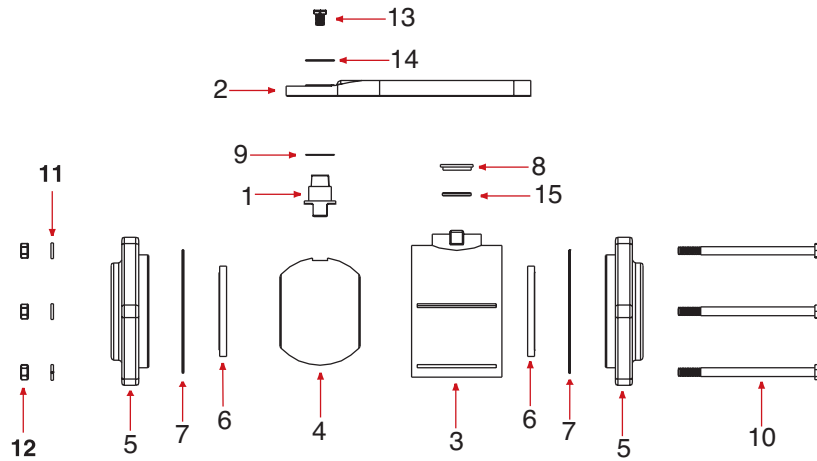
**VL25153**



## DIMENSION CHART IN INCHES (REFER TO DRAWING ON LEFT)

PART NO.	DESCRIPTION	A	B	C	D	E
V200FP	Valve — Full Port	3.25	2.38	5.44	9.25	5.50
V300	Valve — Standard	3.53	2.69	6.28	9.25	6.06
V300FP	Valve — Full Port	4.25	3.25	7.35	9.25	6.40
V400	Valve — Standard Port	4.50	3.60	8.19	9.25	7.88
VFMT200FP	Valve — Full Port	3.38	2.38	5.44	9.25	8.30
VFMT200FPSH	Valve — Full Port	3.38	2.38	5.44	5.25	8.30





REPLACEMENT PARTS V200FP - VFMT200FP - VFMT200FPSH - V300 - V300FP - V400				
ITEM	PART NO.	DESCRIPTION	QTY.	PRICE
1	V25151B	Stem	1	\$11.80
2	V25153	Handle	1	\$11.78
8	V25160*	Upper Stem Bushing	1	\$3.72
9	V25060*	Thrust Washer	1	\$1.88
11	V20018	3/8" S.S. Lock Washer	6	\$0.38
12	V20019	3/8" S.S. Nut	6	\$0.92
13	V25020	3/8" x 1/2" S.S. Handle Bolt	1	\$1.54
14	V25121	S.S. Handle Washer	1	\$0.49
15	V25163*	Stem O-Ring FKM (Viton Type)	1	\$3.22
N/S	VL25153	Locking Handle (Padlock not included)	1	\$26.05
N/S	V25271	90° Mounting Bracket Fits V150, V200, V200FP, V300 & V300FP	1	\$15.75
N/S	V25270	Straight Mounting Bracket Fits V150, V200, V200FP, V300 & V300FP	1	\$13.35

REPLACEMENT PARTS -V300				
ITEM	PART NO.	DESCRIPTION	QTY.	PRICE
3	V30254	Valve Body	1	\$21.72
4	V30255*	Valve Ball	1	\$20.15
5	V30264	3" End Plate	2	\$29.90
6	V30258A*	Ball Seat	2	\$11.29
7	V30265*	Valve Body O-Ring FKM (Viton Type)	2	\$10.06
10	V30017	3/8" x 5" S.S. Body Bolt	6	\$3.11
N/S	V30200	Valve Repair Kit	1	\$68.59

REPLACEMENT PARTS -V300FP				
ITEM	PART NO.	DESCRIPTION	QTY.	PRICE
3	V35254	Valve Body	1	\$30.08
4	V35255A*	Valve Ball	1	\$32.89
5	V35264	3" FP End Plate	2	\$42.81
6	V35258A*	Ball Seat	2	\$18.31
7	V35265*	Valve Body O-Ring FKM (Viton Type)	2	\$12.29
10	V35017	3/8" x 6" S.S. Body Bolt	6	\$4.35
N/S	V35200	Valve Repair Kit	1	\$125.92

**\*Valve repair kits contain items marked with asterisk :**

1 Ball	2 Body O-Rings	1 Thrust Washer
2 Ball Seats	1 Upper Stem Bushing	1 Stem O-Ring

REPLACEMENT PARTS V200FP - VFMT200FP - VFMT200FPSH				
ITEM	PART NO.	DESCRIPTION	QTY.	PRICE
5	V25153SH	Short Handle for VFMT200FPSH	1	\$11.78
3	V25254	Valve Body	1	\$14.64
4	V25255A*	Valve Ball	1	\$11.29
5	V25256	End Plate 2" Female NPT	2	\$16.51
5	VM25256	End Plate 2" Male NPT	1	\$33.81
5	VF25256	End Plate 2" Male Adapter	1	\$33.81
6	V25258A*	Ball Seat	2	\$10.42
7	V25264*	Valve Body O-Ring FKM (Viton Type)	2	\$8.76
10	V25017	3/8" x 4 1/2" S.S. Body Bolt	6	\$2.11
N/S	V25200	Valve Repair Kit	1	\$48.72

REPLACEMENT PARTS -V400				
ITEM	PART NO.	DESCRIPTION	QTY.	PRICE
3	V40254	Valve Body	1	\$40.03
4	V40255*	Valve Ball	1	\$42.81
5&6	V40264	End Plate w/PTFE Ball Seat	2	\$55.21
7	V40265*	Valve Body O-Ring FKM (viton type)	2	\$14.90
10	V40017	3/8" x 7 1/2" SS Body Bolt	6	\$12.41
N/S	V40200	Valve Repair Kit	1	\$145.54

V  
A  
L  
V  
E  
S