



EPS Series Reversing Spring Return Electric Actuators

Overview

Cost effective, rugged, spring return actuator is designed for use with all ball valves and butterfly valves up to 8" in size with torque outputs from 450 to 2,300 in. lb. Ideal for a wide range of applications without costly options, the actuator is available with a clockwise or counter-clockwise spring return depending upon application requirements.

Standard Features

- Four Limit Switches (Two Auxiliary)
- Internal Low Power Heater
- NEMA 4/4X Enclosure
- Position Indicator
- Rack and Pinion Spring Pack Design
- Permanently Lubricated Gear Train
- Thermal Overload Protection
- CE and CSA Pending
- ISO 5211 Mounting Base
- Choice of Voltages: 24 VAC/DC, 120 VAC, 230 VAC

Options*

- Positioners
- Two Additional Auxiliary Switches
- Local Control Station
- Clutchless Manual Override

***Not available on all models**

Please Note: All EPM, EPS, and EPL Series Reversing Electric Actuators are considerably heavier than those typically used with plastic ball and butterfly valves, and they must be supported independently of the valves on which they are mounted. The weight must not be borne by the valve or piping. Please consult the factory if you need help with your particular application.



Technical Information

Actuator Specifications



	EPS 5	EPS 12	EPS 18
Torque Output (in. lb/Nm)	450/50	1150/130	1750/200
Supply Voltage	24 VAC/DC 120 VAC 230 VAC	24 VAC/DC 120 VAC 230 VAC	24 VAC/DC 120 VAC 230 VAC
Duty Cycle	24V – 75% 120 V and 230 V – 50% Proportional Control – 75%		
Thermal Overload	Standard		
Cycle Time			
secs @ 90° 24V/120-230V	7.0/7.0	8.0/7.0	11.0/11.0
secs @ 90° Spring 24V/120-230V	3.0/3.0	3.0/8.0	3.0/12.0
Auxiliary Limit Switch Ratings	3A @ 250 VAC		
Conduit Entry	3/4" NPT		
Enclosure	NEMA 4/4X		
Enclosure Material	Aluminum Alloy, Dry Powder Coated		
Maximum Inrush Current	4.0A @ 24 VAC/DC 2.8A @ 120 VAC 1.3 A@ 230 VAC	19.0A @ 24 VAC/DC 11.0A @ 120 VAC 5.6A @ 230 VAC	19.0A @ 24 VAC/DC 11.0A @ 120 VAC 5.6A @ 230 VAC
Running Current	3.0A @ 24 VAC/DC 1.5A @ 120 VAC 0.7A @ 230 VAC	9.0 A @ 24 VAC/DC 3.8 A @ 120 VAC 2.1A @ 230 VAC	9.0A @ 24 VAC/DC 3.8A @ 120 VAC 2.1A @ 230 VAC
Weight (lb/kg)	82/37	163/74	297/135

Ball Valve Selection Chart*

Size	True Union Ball Valve	Three-Way Ball Valve
1/2" – 3"	EPS5	EPS5
4", 6"	EPS5	EPS12

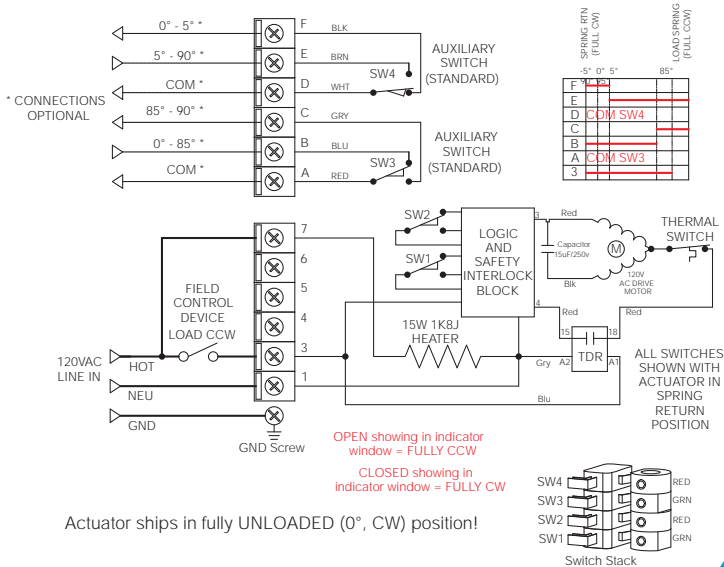
*Actuator size selections based on clean water at 70°F

Butterfly Valve Selection Chart*

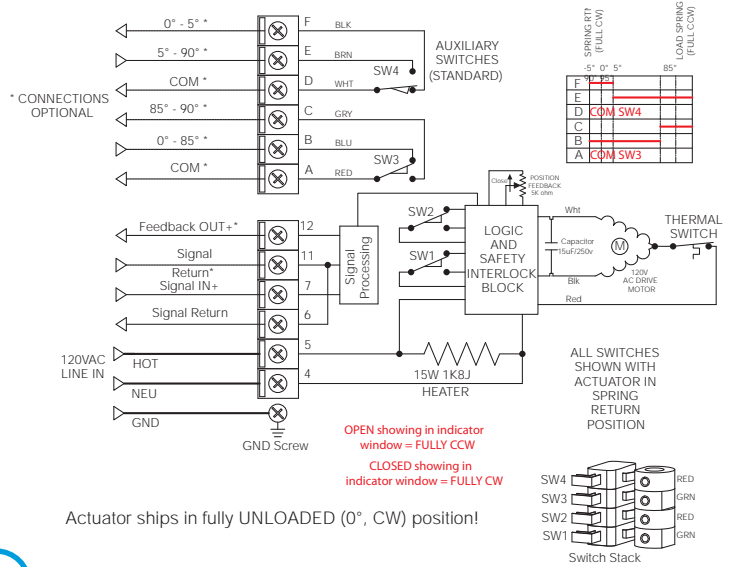
Size	Butterfly Valve
1-1/2", 2", 3"	EPS5
4", 6"	EPS12
8"	EPS18

*Actuator size selections based on clean water at 70°F

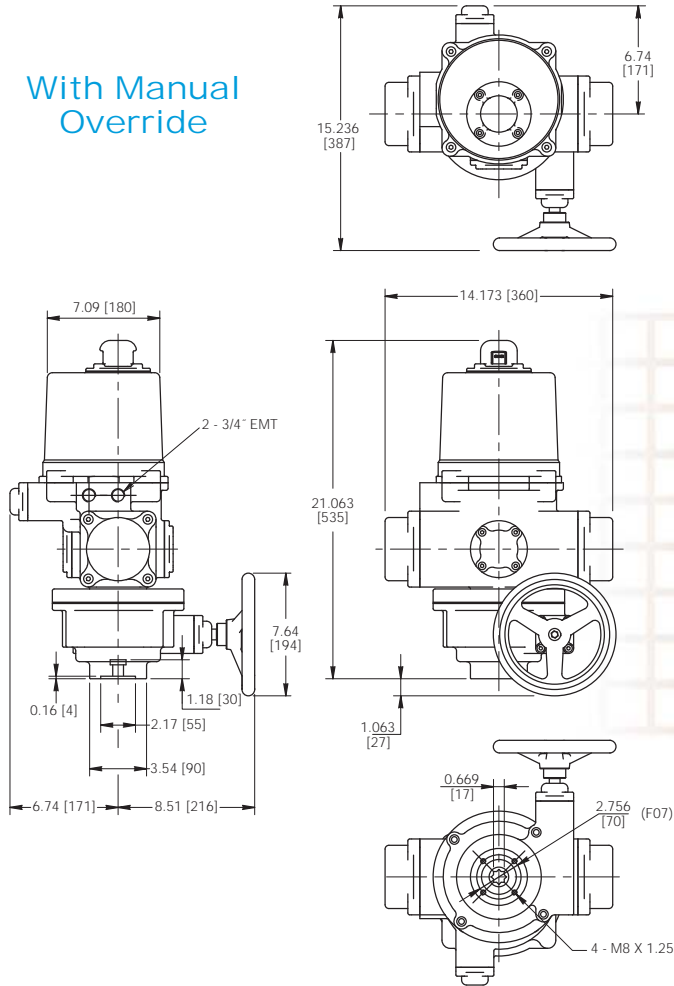
EPS On/Off Control



EPS Proportional Control



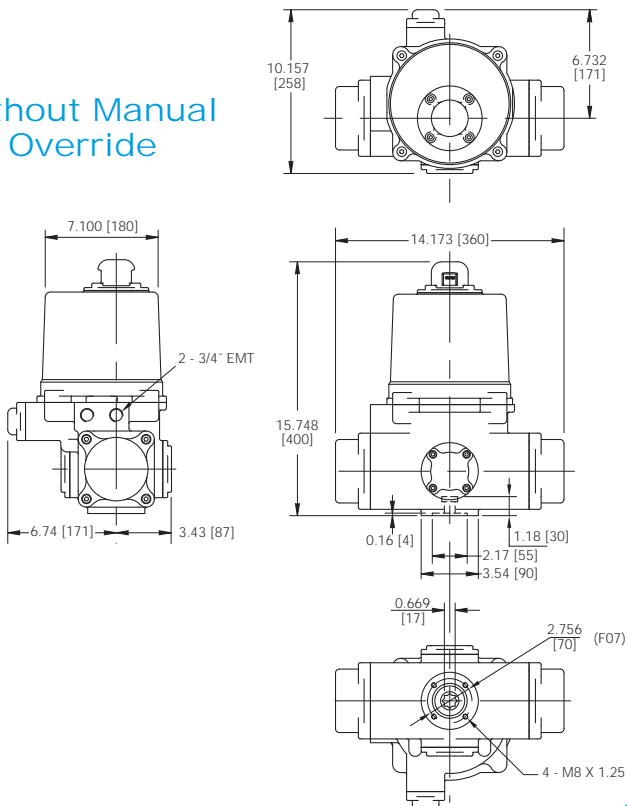
With Manual
Override



EPS5

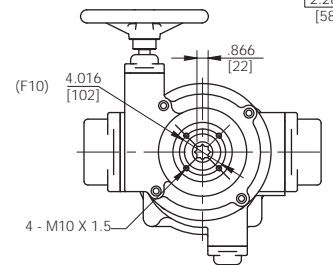
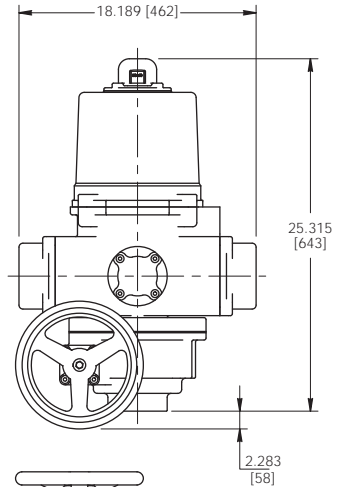
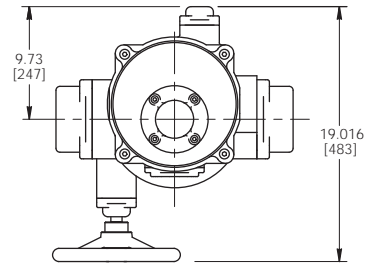
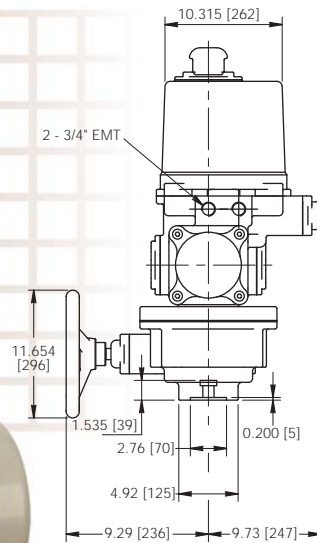


Without Manual
Override

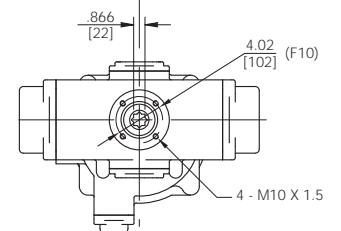
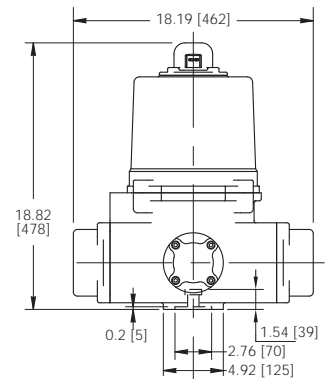
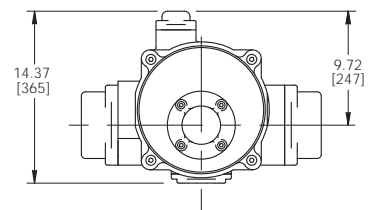
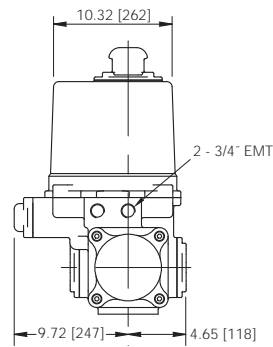


EPS12

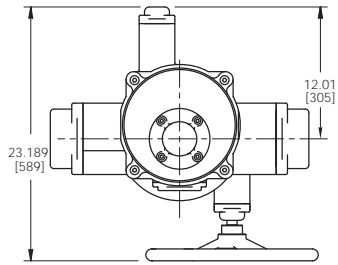
With Manual Override



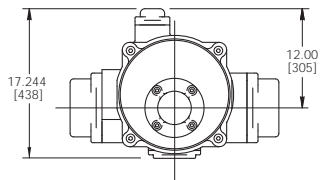
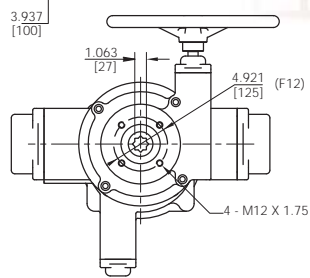
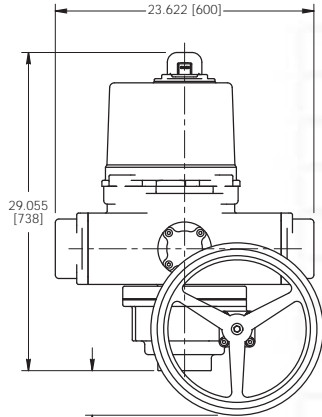
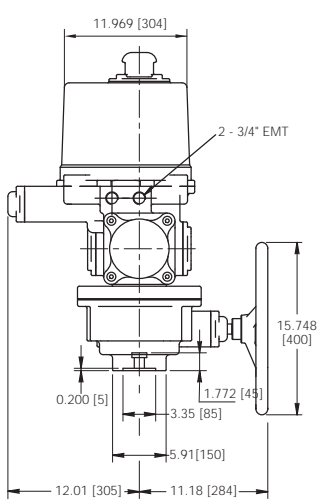
Without Manual Override



With Manual
Override



EPS18



Without Manual
Override

