



Series 92 Electric Actuators

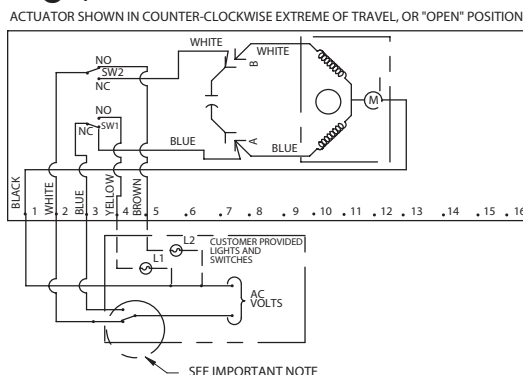
Standard Features (Sizes 1/2" - 4")

- Brushless, capacitor-run motors (AC models)
- Integral thermal overload protection without auto-reset (AC models)
- Permanently lubricated gear train
- Duty cycle 100% for high cycle applications
- Combination Type 4X, 7 and 9 enclosure with thermally bonded epoxy powder coating with stainless steel trim
- ISO bolt circle
- Two 1/2" NPT conduit ports prevent interference between control and power signals
- Declutchable manual override
- Standard travel-stop limit switches can simultaneously be used for indicator lights
- Highly visible position indicator

Options


- Extra limit switches
- Feedback potentiometer
- Heater and thermostat (to -40° F)
- Positioner: 4-20mA or 0-10 VDC input
- 4-20 mA output position transmitter
- Voltages: 220 VAC, 24 VAC, 12 VAC, 24 VDC, 12 VDC
- Mechanical brake eliminates seating oscillation
- Bus systems

AC Wiring (For 115 VAC and 220 VAC only)



Specifications

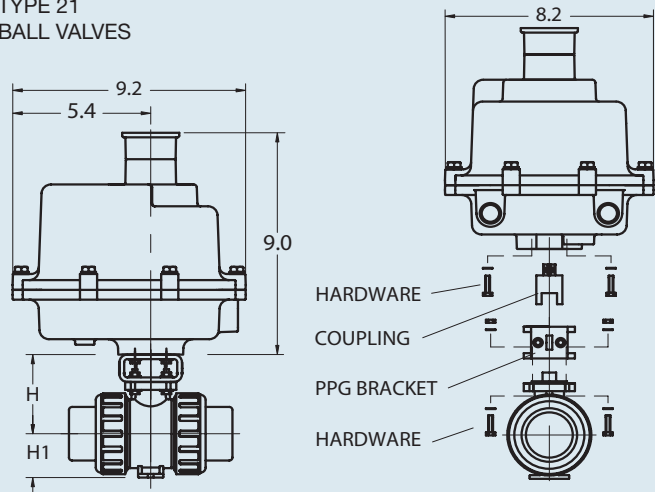
Series 92: Motor Type - Reversing, 1/4 turn single phase
 Sizes - S92, A92 for sizes 1/2" - 4" ball valves
 Torque - 400 to 700 in-lbs
 Voltage - 120 VAC, 50/60 Hz
 Amp Draw - For S92: .50 Amps
 For A92: .80 Amps



UL-508 Listed

Max Ambient Temp - 150° F
 Switches - Two single pole, double throw (15 Amp rating)

SERIES 92 ON TYPE 21 BALL VALVES



Engineering Data

Actuator Model	Torque (in-lbs.)	Duty Cycle	Cycle Time (sec.)	Weight (lbs.)	Amp Draw					
					115 Vac	220 Vac	24 Vac	12 Vac	24 Vdc	12 Vdc
S92	400	100	10	10.0	0.50	0.4	3.0	2.0	4.0	2.0
A92	700	75	10	10.0	0.80	0.6	3.0	2.0	4.0	2.0

Duty cycle shown above is for 115 VAC at ambient temperature.

- NOTE TO WIRING DIAGRAM:**
1. EACH ACTUATOR MUST BE POWERED THROUGH ITS OWN INDIVIDUAL SWITCH CONTACTS TO AVOID CROSS FEED.
 2. WIRING AS SHOWN IS FOR S92 AND A92 MOTOR.
 3. MOTOR HAS A THERMAL PROTECTOR AS SHOWN BY (M) IN DIAGRAM. (115 AND 220 VAC MODEL).
 4. IF 115 & 220 VAC MODELS ARE PLC DRIVEN, OUTPUT CONTACTS OF PLC SHOULD BE RATED AT A MINIMUM OF 1.5 TIMES REQUIRED INPUT VOLTAGE OF ACTUATOR.

Dimensions

NOMINAL SIZE		H	H1
INCHES	mm		
1/2	15	2.76	1.14
3/4	20	3.01	1.38
1	25	3.29	1.54
1 1/4	32	3.64	1.85
1 1/2	40	3.98	2.17
2	50	4.43	2.60
2 1/2	65	5.12	2.83
3	80	5.47	3.35
4	100	6.97	4.33