



Self-Aligning Bulkhead Fittings

1", 2" and 3" - PVC



No Hassle Connections

Hayward Self-Aligning Bulkhead Fittings make it easy to connect pipe to the top of domed tanks. Now it's no longer necessary to fabricate expensive, complex sections of pipe to make this, or any other, type of offset connection. Just install the fitting onto the domed tank, position the swivel connection line up to pipe and you're ready to make the straight line connection. No hassles!

Unique Design

Hayward Self-Aligning Bulkhead Fittings feature a unique swivel ball design. The piping connection to the fitting is made into a threaded ball that swivels on a Teflon® seat. Once the connection is positioned at the desired offset angle, a plastic lock ring firmly holds it in position. Straight to offset connections of up to 27 degrees can easily be made.

Easy Installation

No special tools are needed. Just insert the body of the fitting through the properly sized hole on the tank top and tighten the lock nut. The fitting is now ready for the pipe connection.

All Plastic Construction

Hayward Self-Aligning Bulkhead Fittings will never rust or corrode like metal fittings. And their PVC material will not contaminate fluids that come in contact with them.

Features

- Rated to 75 PSI
- EPDM or FPM Gasket Seal
- Easy Installation
- All Plastic Construction
- Proven, Rugged Design
- Offset Connections to 27°

Applications

- Straight piping connections to the tops of domed tanks or other curved surface vessels

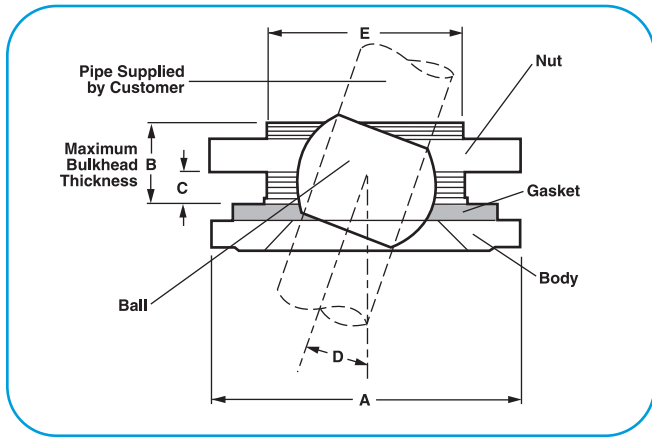
Teflon® is a registered trademark of DuPont

Authorized Distributor:

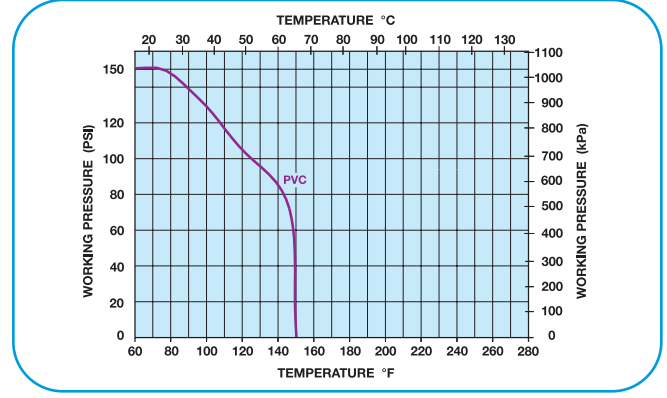
Aetna Plastics Corp. 1702 St. Clair Ave. Cleveland, Ohio 44114 • Tel: 800-634-3074
216-781-4421 • Fax: 216-781-4474 • sales@aetnoplastics.com • www.aetnoplastics.com



Technical Information



Operating Temperature/Pressure



Dimensions - Inches / Millimeters

| Size | A | B | C | D Angle | E | Weight (lb / kg) |
|------|------------|-----------|-----------|------------|------------|------------------|
| 1" | 4.38 / 111 | 2.00 / 51 | 1.25 / 32 | 27 degrees | 3.25 / 83 | 1.90 / .86 |
| 2" | 6.00 / 152 | 2.00 / 51 | 1.06 / 27 | 25 degrees | 4.50 / 114 | 4.80 / 2.2 |
| 3" | 8.75 / 222 | 2.50 / 64 | 1.25 / 32 | 20 degrees | 5.75 / 146 | 11.10 / 2.3 |

Selection Chart

| Size | Material | End Conn. | Seals | Rating |
|------------|----------|-----------------|-------------|---------------|
| 1", 2", 3" | PVC | Thread x Thread | EPDM or FPM | 75 PSI @ 70°F |

Minimum Inside Diameters of Tanks for Bulkhead Fitting Installation

| Bulkhead Size | Min. Rigid Tank I.D. | Min. Flexible Tank I.D. |
|---------------|----------------------|-------------------------|
| 1" | 25.75" | 19.38" |
| 2" | 42.50" | 36.25" |
| 3" | 90.00" | 76.81" |

