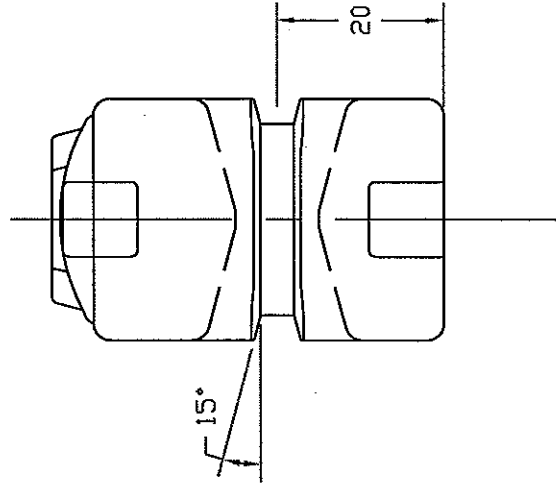
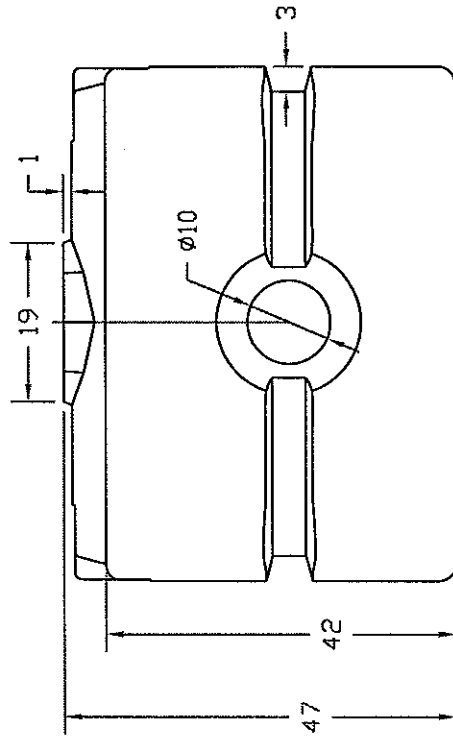
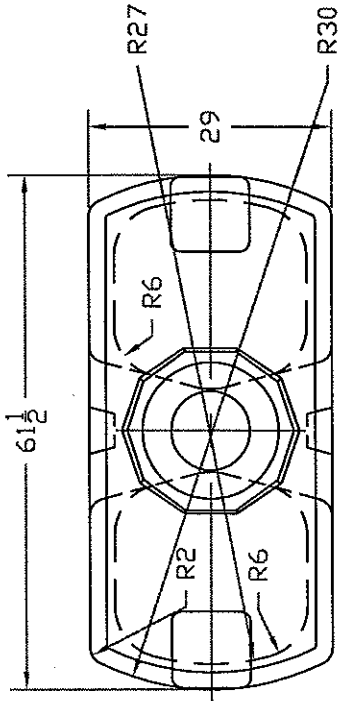


REVISIONS

ZONE	REV	DESCRIPTION	DATE	APPROVED



Distributed by
AETNA PLASTICS
 800-634-3074
 www.aetnaplastics.com

NORWESCO
 ST. BONIFACIUS, MN
 300 GALLON

FREESTANDING WATER TANK

SIZE	FSCM NO.	DWG NO.	REV
B			

JTP 11JUL03

SCALE 1/16

SHEET