



CPVC DUCT PIPE & FITTINGS

Dimensions Catalog

Authorized Distributor:

Aetna Plastics Corp.

9075 Bank Street, Valley View, Ohio 44125

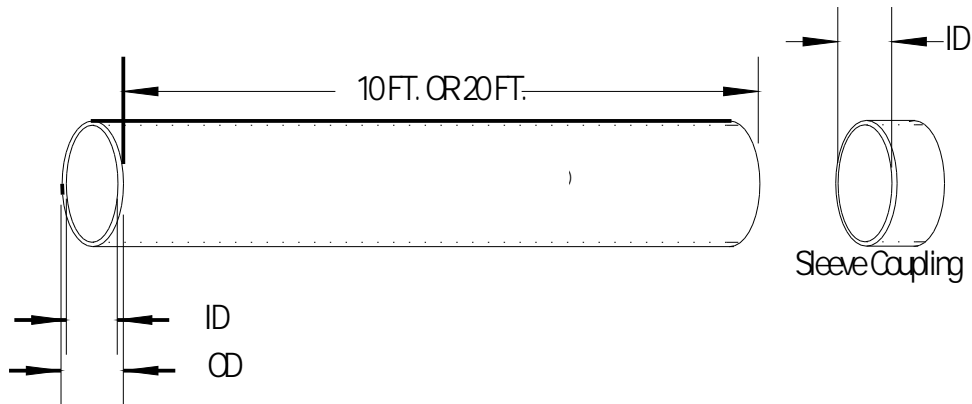
Tel: 800-634-3074 • 216-781-4421 • Fax: 216-524-2280

E-mail: sales@aetnoplastics.com • Website: www.aetnoplastics.com

Table of Contents

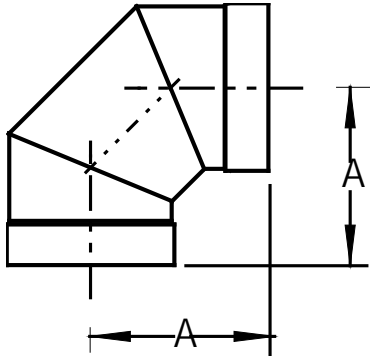
<u>Description</u>	<u>Page No.</u>
CORZAN® CPVC Pipe	3
Bell Dimensions	4
90° Elbow	4
45° Elbow	5
Coupling	5
Reducer Coupling	6
Cap	7
True Wye	7
45° Wye	8
Tee	9
Rainskirt	10
Rain Cap 'Style A'	10
Rain Cap 'Style B'	11
Blind Flange	12
Butterfly Damper	13
Socket Flange	14
Blastgate Damper	15
Flex Hose Adapter	16
Flexible Coupling	17
Hoods	18
Transitions	18

Note: The dimensions shown on the following pages of this catalog are essentially shown as “Center to End” dimensions, which apply to both belled end as well as plain end fittings. To determine “take-out” dimensions for belled end fittings, refer to the bell depths below to make appropriate calculations. 2



Corzan® CPVC Pipe

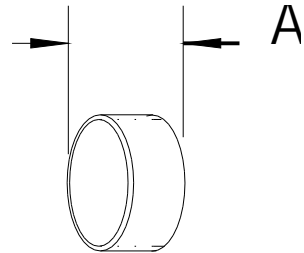
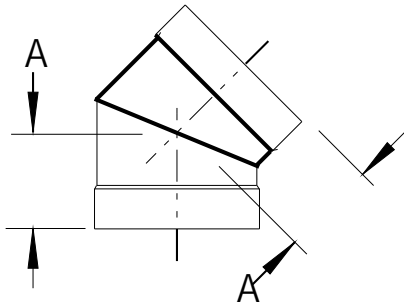
Part No.	Size	(O.D.)	(I.D.)	Wall	Wt/Ft.	Standard Length
	Extruded					
1833-PP-02	2"	2.375"	2.047"	0.154"	0.803	10 ft. or 20 ft.
1833-PP-03	3"	3.500"	3.042"	0.216"	1.660	10 ft. or 20 ft.
1833-PP-04	4"	4.500"	3.998"	0.237"	2.363	10 ft. or 20 ft.
1833-PP-05	5"	5.563"	5.016"	0.258"	2.874	10 ft. or 20 ft.
1833-PP-06	6"	6.625"	6.250"	0.187"	2.340	10 ft. or 20 ft.
1833-PP-08	8"	8.625"	8.250"	0.187"	3.060	10 ft. or 20 ft.
1833-PP-10	10"	10.750"	10.380"	0.187"	3.830	10 ft. or 20 ft.
1833-PP-12	12"	12.750"	12.380"	0.187"	4.560	10 ft. or 20 ft.
1833-PP-14	14"	14.000"	13.630"	0.187"	5.010	10 ft. or 20 ft.
1833-PP-16	16"	16.000"	15.630"	0.187"	5.740	10 ft. or 20 ft.
1833-PP-18	18"	18.000"	17.630"	0.187"	6.460	10 ft. or 20 ft.
1833-PP-20	20"	20.000"	19.500"	0.219"	9.580	10 ft. or 20 ft.
1833-PP-24	24"	24.000"	23.500"	0.250"	11.520	10 ft. or 20 ft.
	Rolled					
1833-PP-22	22"	22.000"	21.626"	0.187"	8.550	4 ft. w/ Coupling
1833-PP-26	26"	26.000"	25.626"	0.187"	10.070	4 ft. w/ Coupling
1833-PP-28	28"	28.000"	27.626"	0.187"	10.850	4 ft. w/ Coupling
1833-PP-30	30"	30.000"	29.626"	0.187"	11.640	4 ft. w/ Coupling
Duct diameter thru 60" available. Contact factory for details.						



90° Elbow Belled (3 piece)		
Part No.	Size	A
1834-90-02	2 "	7.187 "
1834-90-03	3 "	9.000 "
1834-90-04	4 "	9.250 "
1834-90-05	5 "	9.937 "
1834-90-06	6 "	10.500 "
1834-90-08	8 "	11.437 "
1834-90-10	10 "	14.750 "
1834-90-12	12 "	15.625 "
1834-90-14	14 "	15.750 "
1834-90-16	16 "	18.000 "
1834-90-18	18 "	19.062 "
1834-90-20	20 "	21.500 "
1834-90-24	24 "	23.500 "

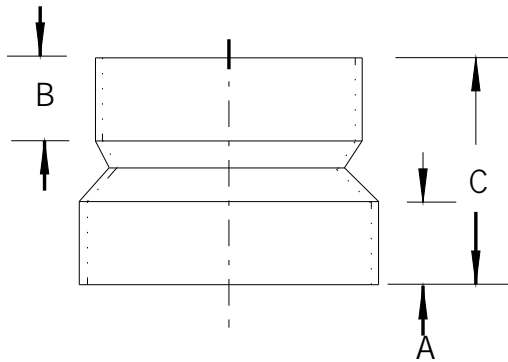
Bell Dimensions	
Size	Socket Depth
2 "	1.50"
3 "	1.75"
4 "	2.25"
5 "	2.75"
6 "	2.00"
7 "	2.25"
8 "	2.25"
9 "	2.25"
10 "	2.50"
11 "	2.50"
12 "	2.50"
14 "	2.50"
16 "	2.50"
18 "	2.50"
20 "	3.00"
24 "	3.00"

Authorized Distributor:
Aetna Plastics Corp.
 9075 Bank Street, Valley View, Ohio 44125
 Tel: 800-634-3074 • 216-781-4421 • Fax: 216-524-2280
 E-mail: sales@aetnaplastics.com • Website: www.aetnaplastics.com

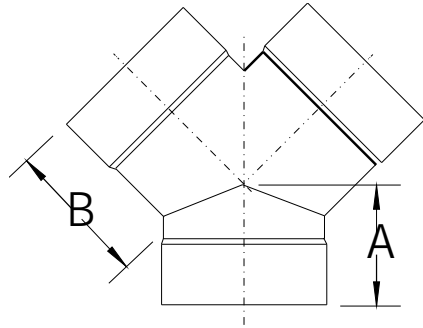
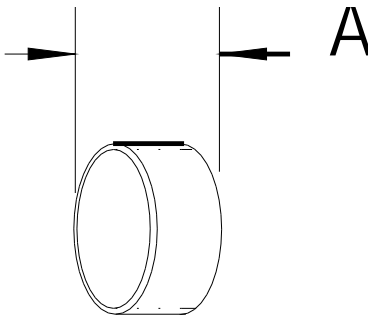


45° Elbow Beveled (2 piece)		
Part No.	Size	A
1834-45-02	2 "	3.000 "
1834-45-03	3 "	4.750 "
1834-45-04	4 "	4.937 "
1834-45-05	5 "	5.156 "
1834-45-06	6 "	5.375 "
1834-45-08	8 "	5.812 "
1834-45-10	10 "	6.250 "
1834-45-12	12 "	6.625 "
1834-45-14	14 "	6.875 "
1834-45-16	16 "	7.562 "
1834-45-18	18 "	8.000 "
1834-45-20	20 "	9.125 "
1834-45-24	24 "	10.000 "

Coupling Sleeved		
Part No.	Size	A
1834-CP-02	2 "	4.000 "
1834-CP-03	3 "	4.000 "
1834-CP-04	4 "	4.000 "
1834-CP-05	5 "	4.500 "
1834-CP-06	6 "	4.500 "
1834-CP-08	8 "	4.500 "
1834-CP-10	10 "	4.500 "
1834-CP-12	12 "	4.500 "
1834-CP-14	14 "	4.500 "
1834-CP-16	16 "	4.500 "
1834-CP-18	18 "	4.500 "
1834-CP-20	20 "	4.500 "
1834-CP-24	24 "	4.500 "

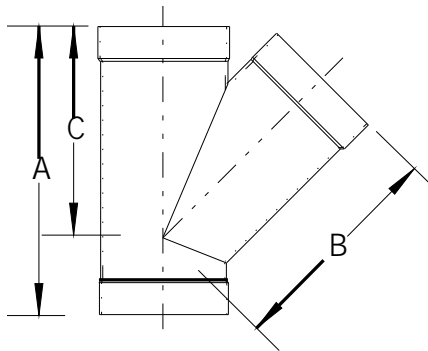


Reducer Coupling One Step (Bell x Bell)				
Part No.	Size	A	B	C
1834-RC-0403	4" x 3"	1.750 "	1.750 "	7.000 "
1834-RC-0604	6" x 4"	2.000 "	1.750 "	7.000 "
1834-RC-0806	8" x 6"	2.250 "	2.000 "	8.000 "
1834-RC-1008	10" x 8"	2.500 "	2.000 "	8.000 "
1834-RC-1210	12" x 10"	2.500 "	2.500 "	8.000 "
1834-RC-1412	14" x 12"	2.500 "	2.500 "	7.250 "
1834-RC-1614	16" x 14"	2.500 "	2.500 "	9.000 "
1834-RC-1816	18" x 16"	2.500 "	2.500 "	8.250 "
1834-RC-2018	20" x 18	3.000 "	2.500 "	8.750 "
1834-RC-2420	24" x 20	4.000 "	3.000 "	13.000"
Two Step (Bell x Bell)				
1834-RC-0804	8" x 4"	2.250 "	1.750 "	12.500 "
1834-RC-1006	10" x 6"	2.500 "	2.000 "	12.750 "
1834-RC-1208	12" x 8"	2.500 "	2.250 "	13.250 "
1834-RC-1410	14" x 10"	2.500 "	2.500 "	12.500 "
1834-RC-1612	16" x 12"	2.500 "	2.500 "	13.500 "
1834-RC-1814	18" x 14"	2.500 "	2.500 "	14.500 "
1834-RC-2016	20" x 16"	3.000 "	2.500 "	13.750 "
1834-RC-2418	24" x 18"	4.000 "	2.500 "	18.000 "
Rolled reducer couplings also available				

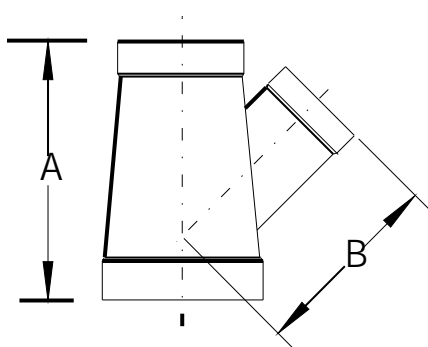


Cap (Belled)		
Part No.	Size	A
1834-CA-02	2 "	2.000 "
1834-CA-03	3 "	2.000 "
1834-CA-04	4 "	2.000 "
1834-CA-05	5 "	2.000 "
1834-CA-06	6 "	2.000 "
1834-CA-08	8 "	2.000 "
1834-CA-10	10 "	2.000 "
1834-CA-12	12 "	2.000 "
1834-CA-14	14 "	2.000 "
1834-CA-16	16 "	2.000 "
1834-CA-18	18 "	2.000 "
1834-CA-20	20 "	2.000 "
1834-CA-24	24 "	2.000 "

True Wye Belled			
Part No.	Size	A	B
1834-TY-02	2 "	2.750 "	2.375 "
1834-TY-03	3 "	3.250 "	4.750 "
1834-TY-04	4 "	4.000 "	5.250 "
1834-TY-05	5 "	4.375 "	5.750 "
1834-TY-06	6 "	4.437 "	6.250 "
1834-TY-08	8 "	5.812 "	8.375 "
1834-TY-10	10 "	6.250 "	9.500 "
1834-TY-12	12 "	6.656 "	10.250 "
1834-TY-14	14 "	6.875 "	11.000 "
1834-TY-16	16 "	7.312 "	12.000 "
1834-TY-18	18 "	7.750 "	13.000 "
1834-TY-20	20 "	8.250 "	13.750 "
1834-TY-24	24 "	10.750 "	18.000 "



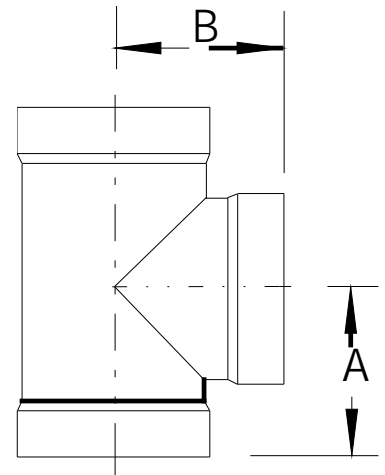
45° Wye Belled				
Part No.	Size	A	B	C
1834-Y-0604	6 X 6 X 4 "	15.875 "	10.750 "	11.750 "
1834-Y-06	6 X 6 X 6 "	18.875 "	13.250 "	13.250 "
1834-Y-0804	8 X 8 X 4 "	16.375 "	12.250 "	13.062 "
1834-Y-0806	8 X 8 X 6 "	19.375 "	13.312 "	14.500 "
1834-Y-08	8 X 8 X 8 "	22.187 "	15.875 "	15.875 "
1834-Y-1006	10 X 10 X 6 "	20.375 "	15.312 "	16.250 "
1834-Y-1008	10 X 10 X 8 "	23.187 "	16.312 "	17.750 "
1834-Y-10	10 X 10 X 10 "	26.250 "	19.312 "	19.312 "
1834-Y-1208	12 X 12 X 8 "	23.312 "	17.750 "	18.750 "
1834-Y-1210	12 X 12 X 10 "	26.375 "	18.750 "	20.250 "
1834-Y-12	12 X 12 X 12 "	29.250 "	21.687 "	21.687 "
1834-Y-1410	14 X 14 X 10 "	26.250 "	19.625 "	20.875 "
1834-Y-1412	14 X 14 X 12 "	29.000 "	20.750 "	22.250 "
1834-Y-14	14 X 14 X 14 "	30.750 "	23.125 "	23.125 "
1834-Y-1612	16 X 16 X 12 "	29.000 "	22.125 "	23.375 "
1834-Y-1614	16 X 16 X 14 "	30.750 "	22.750 "	24.250 "
1834-Y-16	16 X 16 X 16 "	33.625 "	25.625 "	25.625 "
1834-Y-1814	18 X 18 X 14 "	31.250 "	24.250 "	25.375 "
1834-Y-1816	18 X 18 X 16 "	34.125 "	25.375 "	26.875 "
1834-Y-18	18 X 18 X 18 "	37.000 "	28.250 "	28.250 "
1834-Y-20	20 X 20 X 20 "	40.750 "	31.125 "	31.125 "
1834-Y-2418	24 X 24 X 18 "	38.000 "	30.750 "	31.750 "
1834-Y-24	24 X 24 X 24 "	46.500 "	36.000 "	36.000 "

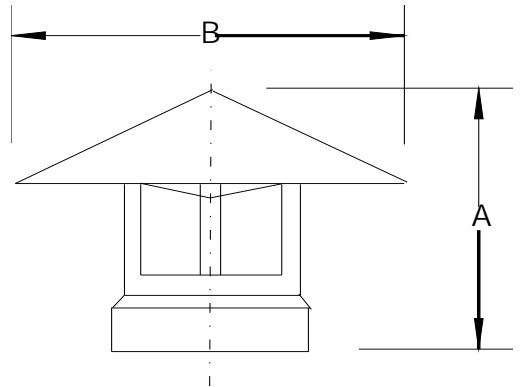
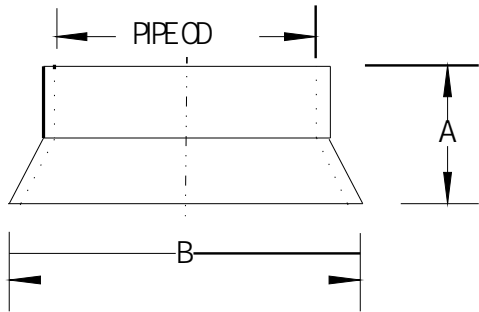


Authorized Distributor:

Aetna Plastics Corp.
 9075 Bank Street, Valley View, Ohio 44125
 Tel: 800-634-3074 • 216-781-4421 • Fax: 216-524-2280
 E-mail: sales@aetnoplastics.com • Website: www.aetnoplastics.com

Tee Belled			
Part No.	Size	A	B
1834-T-0604	6 x 6 x 4 "	7.312 "	6.500 "
1834-T-06	6 x 6 x 6 "	7.562 "	7.562 "
1834-T-0804	8 x 8 x 4 "	8.312 "	6.750 "
1834-T-0806	8 x 8 x 6 "	8.562 "	7.812 "
1834-T-08	8 x 8 x 8 "	8.812 "	8.812 "
1834-T-1006	10 x 10 x 6 "	9.625 "	8.062 "
1834-T-1008	10 x 10 x 8 "	9.875 "	9.062 "
1834-T-10	10 x 10 x 10 "	10.125 "	10.125 "
1834-T-1206	12 x 12 x 6 "	10.625 "	8.062 "
1834-T-1208	12 x 12 x 8 "	10.875 "	9.062 "
1834-T-1210	12 x 12 x 10 "	11.125 "	10.125 "
1834-T-12	12 x 12 x 12 "	11.125 "	11.125 "
1834-T-1410	14 x 14 x 10 "	11.750 "	10.125 "
1834-T-1412	14 x 14 x 12 "	11.750 "	11.125 "
1834-T-14	14 x 14 x 14 "	11.750 "	11.750 "
1834-T-1612	16 x 16 x 12 "	12.750 "	11.125 "
1834-T-1614	16 x 16 x 14 "	12.750 "	11.750 "
1834-T-16	16 x 16 x 16 "	12.750 "	12.750 "
1834-T-1814	18 x 18 x 14 "	13.750 "	12.000 "
1834-T-1816	18 x 18 x 16 "	13.750 "	13.000 "
1834-T-18	18 x 18 x 18 "	14.000 "	14.000 "
1834-T-20	20 x 20 x 20 "	15.500 "	15.500 "
1834-T-2418	24 x 24 x 18 "	17.000 "	14.500 "
1834-T-24	24 x 24 x 24 "	17.500 "	17.500 "





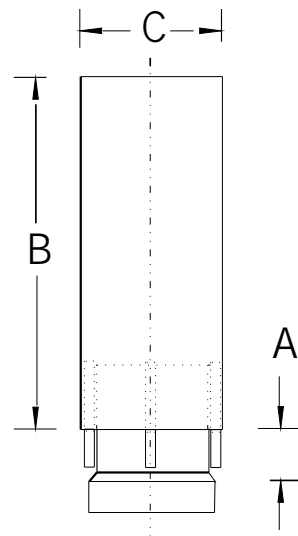
Rainskirt Belled			
Part No.	Size	A	B
1834-RS-02	2 "	2.250 "	4.500 "
1834-RS-03	3 "	2.625 "	5.500 "
1834-RS-04	4 "	4.000 "	6.875 "
1834-RS-05	5 "	4.000 "	8.000 "
1834-RS-06	6 "	4.000 "	8.875 "
1834-RS-08	8 "	4.000 "	11.375 "
1834-RS-10	10 "	4.000 "	13.625 "
1834-RS-12	12 "	4.000 "	16.250 "
1834-RS-14	14 "	4.000 "	17.000 "
1834-RS-16	16 "	4.000 "	19.000 "
1834-RS-18	18 "	6.000 "	22.000 "
1834-RS-20	20 "	6.000 "	23.625 "
1834-RS-24	24 "	8.000 "	27.000 "

Raincap 'Style A' Belled			
Part No.	Size	A	B
1834-WCA-02	2 "	8.000 "	4.000 "
1834-WCA-03	3 "	8.500 "	6.000 "
1834-WCA-04	4 "	9.000 "	8.000 "
1834-WCA-05	5 "	9.500 "	10.000 "
1834-WCA-06	6 "	10.500 "	12.000 "
1834-WCA-08	8 "	12.250 "	16.000 "
1834-WCA-10	10 "	13.500 "	20.000 "
1834-WCA-12	12 "	15.250 "	23.000 "
1834-WCA-14	14 "	16.000 "	28.000 "
1834-WCA-16	16 "	16.750 "	32.000 "
1834-WCA-18	18 "	17.500 "	36.000 "
1834-WCA-20	20 "	18.500 "	40.000 "
1834-WCA-24	24 "	19.000 "	44.000 "

**Raincap 'Style B'
Belled**

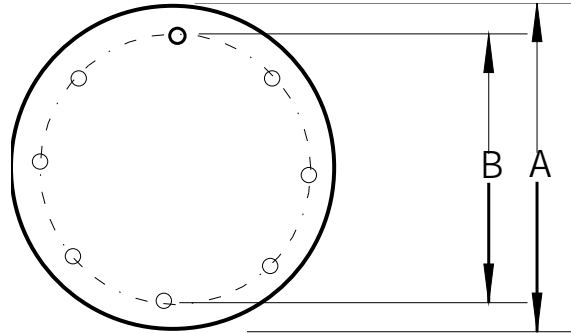
Part No.	Size	A	B	C
1834-WCB-02	2 "	6.000 "	8.000 "	3.500 "
1834-WCB-03	3 "	6.000 "	12.000 "	4.500 "
1834-WCB-04	4 "	6.000 "	16.000 "	6.625 "
1834-WCB-05	5 "	8.000 "	18.000 "	7.375 "
1834-WCB-06	6 "	8.000 "	24.000 "	8.625 "
1834-WCB-08	8 "	8.000 "	32.000 "	10.750 "
1834-WCB-10	10 "	8.000 "	40.000 "	12.750 "
1834-WCB-12	12 "	8.000 "	48.000 "	14.000 "
1834-WCB-14	14 "	8.000 "	56.000 "	16.000 "
1834-WCB-16	16 "	8.000 "	64.000 "	18.000 "
1834-WCB-18	18 "	10.000 "	72.000 "	20.000 "
1834-WCB-20	20 "	10.000 "	80.000 "	22.000 "
1834-WCB-24	24 "	12.000 "	96.000 "	26.000 "

Zero pressure loss feature

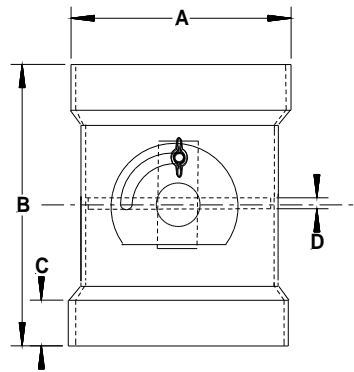


Blind Flange

				# Bolt
Part No.	Size	A	B	Holes
1834-BF-02	2 "	6.000 "	5.000 "	4
1834-BF-03	3 "	7.500 "	6.000 "	4
1834-BF-04	4 "	8.000 "	6.500 "	6
1834-BF-05	5 "	9.000 "	7.500 "	8
1834-BF-06	6 "	10.000 "	8.500 "	8
1834-BF-08	8 "	12.000 "	10.500 "	10
1834-BF-10	10 "	14.000 "	12.500 "	12
1834-BF-12	12 "	16.000 "	14.500 "	14
1834-BF-14	14 "	18.000 "	16.500 "	16
1834-BF-16	16 "	20.000 "	18.500 "	18
1834-BF-18	18 "	22.000 "	20.500 "	20
1834-BF-20	20 "	24.000 "	22.500 "	22
1834-BF-24	24 "	28.000 "	26.500 "	24
All flanges are 3/16" thick material				
All bolt holes are 5/16" diameter				



Authorized Distributor:
Aetna Plastics Corp.
 9075 Bank Street, Valley View, Ohio 44125
 Tel: 800-634-3074 • 216-781-4421 • Fax: 216-524-2280
 E-mail: sales@aetnaplastics.com • Website: www.aetnaplastics.com

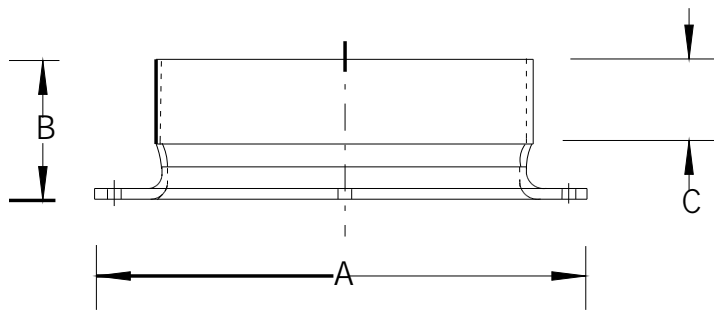


Features and Benefits

- *Materials of Construction:
Body, damper plate & shaft:
PVC, CPVC, PP, HDPE
- *Locking hardware: stainless steel
- *Allows for less than 5% air-flow restriction
- *Offers an approximate 95% seal
- *Optional positive seal shaft & damper plate
- *90° damper plate operation
- *Can be installed vertically or horizontally
- *Sizes Offered: 2" thru 24"
- *Available with belled, socket, flanged, or spigot ends
- *Optional electric motor actuated
- *All plastic internal parts
- *Furnished with locking quadrant damper allowing for permanent position set

Butterfly Damper Belled

Part No.	Size	A	B	C	D
1834-BD-02	2 "	2.375 "	6.750 "	1.500 "	.187 "
1834-BD-03	3 "	3.500 "	7.750 "	1.750 "	.187 "
1834-BD-04	4 "	4.500 "	8.500 "	1.750 "	.187 "
1834-BD-05	5 "	5.563 "	8.500 "	2.000 "	.187 "
1834-BD-06	6 "	6.625 "	9.500 "	2.000 "	.187 "
1834-BD-08	8 "	8.625 "	10.500 "	2.250 "	.187 "
1834-BD-10	10 "	10.750 "	11.750 "	2.500 "	.187 "
1834-BD-12	12 "	12.750 "	12.750 "	2.500 "	.187 "
1834-BD-14	14 "	14.000 "	13.750 "	2.500 "	.187 "
1834-BD-16	16 "	16.000 "	15.750 "	2.500 "	.187 "
1834-BD-18	18 "	18.000 "	17.750 "	2.500 "	.250 "
1834-BD-20	20 "	20.000 "	19.750 "	3.000 "	.250 "
1834-BD-24	24 "	24.000 "	23.750 "	3.000 "	.250 "



Flange Socket/Belled

Part No.	Size	A	B	C	Bolt Circle	# Bolt Holes
1834-SF-02	2 "	6.000 "	2.750 "	1.500 "	5.000 "	4
1834-SF-03	3 "	6.625 "	3.250 "	1.750 "	6.000 "	4
1834-SF-04	4 "	8.000 "	4.000 "	2.000 "	6.500 "	6
1834-SF-05	5 "	9.000 "	3.500 "	2.000 "	7.500 "	8
1834-SF-06	6 "	10.000 "	4.000 "	2.000 "	8.500 "	8
1834-SF-08	8 "	12.000 "	4.000 "	2.250 "	10.500 "	10
1834-SF-10	10 "	14.000 "	4.000 "	2.500 "	12.500 "	12
1834-SF-12	12 "	16.000 "	4.000 "	2.500 "	14.500 "	14
1834-SF-14	14 "	18.000 "	4.000 "	2.500 "	16.500 "	16
1834-SF-16	16 "	20.000 "	4.000 "	2.500 "	18.500 "	18
1834-SF-18	18 "	22.000 "	4.000 "	2.500 "	20.500 "	20
1834-SF-20	20 "	24.000 "	4.000 "	3.000 "	22.500 "	22
1834-SF-24	24 "	28.000 "	4.000 "	3.000 "	26.500 "	24

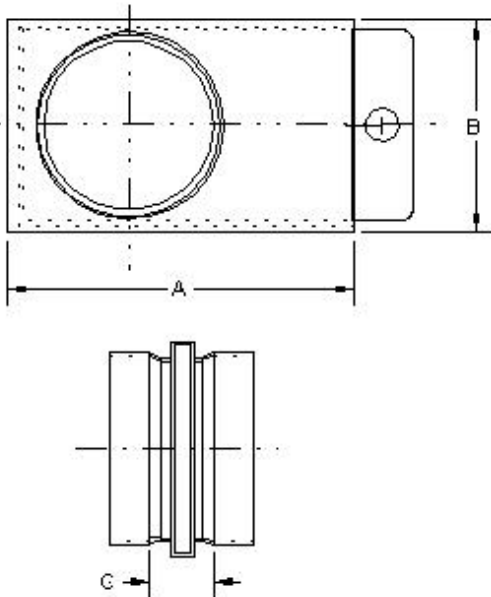
All flanges are 3/16" thick material

All bolt holes are 5/16" diameter

Note: Undrilled flanges also available

Flanges with 150# drilling available on a custom basis

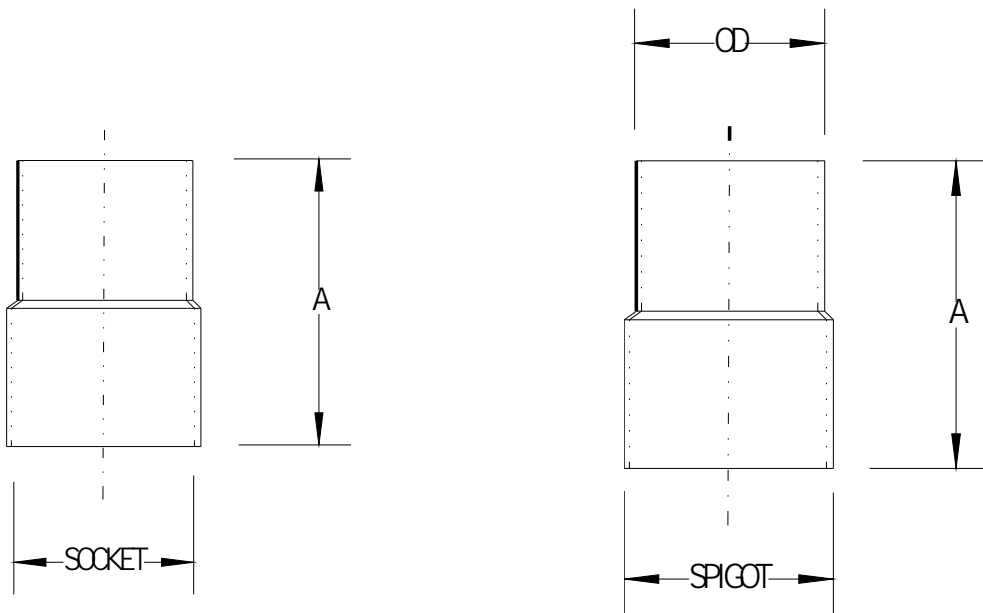
Blastgate Belled				
Part No.	Size	A	B	C
1834-BG-02	2 "	6.000 "	3.750 "	1.000 "
1834-BG-03	3 "	7.000 "	4.880 "	3.250 "
1834-BG-04	4 "	8.000 "	5.560 "	3.250 "
1834-BG-05	5 "	11.000 "	8.880 "	5.000 "
1834-BG-06	6 "	11.000 "	8.880 "	5.000 "
1834-BG-08	8 "	14.000 "	10.250 "	4.000 "
1834-BG-10	10 "	17.000 "	12.380 "	4.500 "
1834-BG-12	12 "	20.000 "	13.880 "	4.500 "
1834-BG-14	14 "	21.750 "	15.500 "	4.500 "
1834-BG-16	16 "	23.000 "	17.500 "	4.250 "
1834-BG-18	18 "	28.000 "	19.500 "	4.250 "
1834-BG-20	20 "	30.750 "	21.500 "	5.750 "
1834-BG-24	24 "	34.000 "	25.500 "	5.750 "



Gate is 3/16" thick material.

Authorized Distributor:

Aetna Plastics Corp.
 9075 Bank Street, Valley View, Ohio 44125
 Tel: 800-634-3074 • 216-781-4421 • Fax: 216-524-2280
 E-mail: sales@aetnoplastics.com • Website: www.aetnoplastics.com

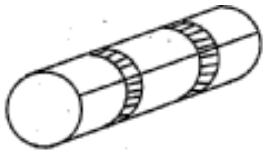


**Flex Hose Adapter
Hose Spigot x Duct Bell**

Part No.	Size	Bell	A
	O.D. (Hose)	Socket (Duct)	
1834-FHA-02	2 "	2.375 "	5.500 "
1834-FHA-03	3 "	3.500 "	6.000 "
1834-FHA-04	4 "	4.500 "	7.000 "
1834-FHA-05	5 "	5.563 "	7.000 "
1834-FHA-06	6 "	6.625 "	7.500 "
1834-FHA-08	8 "	8.625 "	9.000 "
1834-FHA-10	10 "	10.750 "	9.000 "
1834-FHA-12	12 "	12.750 "	9.000 "
1834-FHA-14	14 "	14.000 "	8.000 "
1834-FHA-16	16 "	16.000 "	8.000 "
1834-FHA-18	18 "	18.000 "	8.000 "

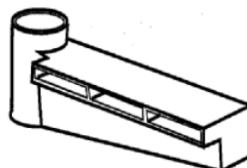
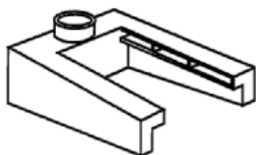
**Flex Hose Adapter
Hose Spigot x Duct Spigot**

Part No.	Size	Spigot	A
	O.D. (Hose)	P.E. (Duct)	
1833-FHA-02	2 "	2.375 "	5.500 "
1833-FHA-03	3 "	3.500 "	6.000 "
1833-FHA-04	4 "	4.500 "	7.000 "
1833-FHA-05	5 "	5.563 "	7.000 "
1833-FHA-06	6 "	6.625 "	7.500 "
1833-FHA-08	8 "	8.625 "	9.000 "
1833-FHA-10	10 "	10.750 "	9.000 "
1833-FHA-12	12 "	12.750 "	9.000 "
1833-FHA-14	14 "	14.000 "	8.000 "
1833-FHA-16	16 "	16.000 "	8.000 "
1833-FHA-18	18 "	18.000 "	8.000 "



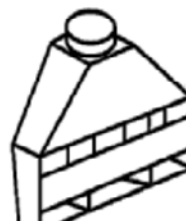
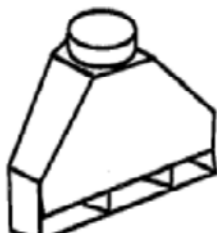
Flexible Coupling		
Part No.	Size	A
1834-FC-02	2 "	6 "
1834-FC-03	3 "	6 "
1834-FC-04	4 "	6 "
1834-FC-05	5 "	6 "
1834-FC-06	6 "	6 "
1834-FC-08	8 "	6 "
1834-FC-10	10 "	6 "
1834-FC-12	12 "	6 "
1834-FC-14	14 "	6 "
1834-FC-16	16 "	6 "
1834-FC-18	18 "	6 "

Hoods are fabricated to Harrison standards or customer specifications.



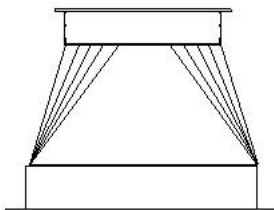
Double Lateral Hood
Lengths from 24" to 96"
Widths from 18" to 66"

Single Lateral Hood
Lengths from 24" to 18 ft.



Single Slot Rear Exhaust Hood
Widths from 18' to 72"

Double Slot Rear Exhaust Hood
Widths from 18' to 72"



Transitions
Transitions (square to round, rectangular to round) with socket or flanged connections available per customer specifications. Transitions to dis-similar materials also available. Please contact us for pricing.