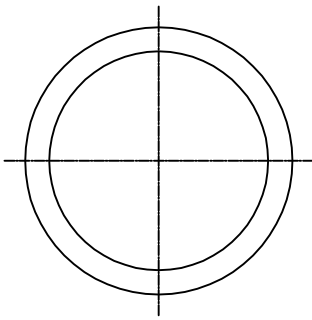
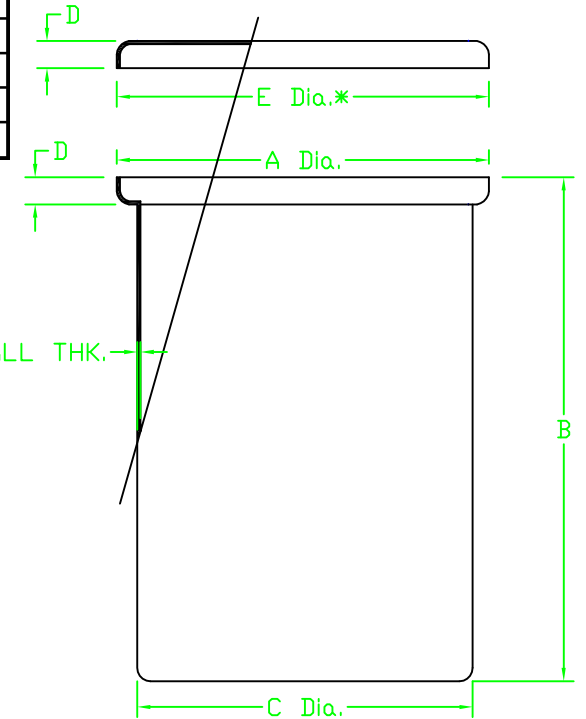
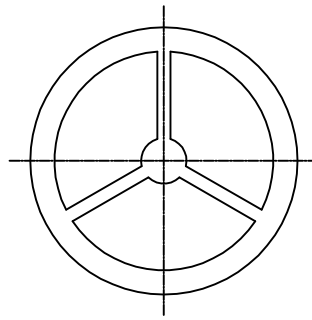


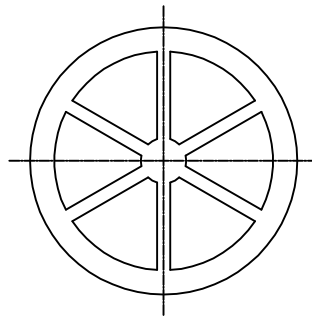
BOTT. STYLE	CAP GAL	CALIBRATION		A DIA	B	C DIA	WALL THK	D	E DIA	SIZE CODE
		GAL	LITERS							
I	5	0.5	2.0	12.375	15.125	11.000	0.187	1.00	12.875	-0005
I	7.5	0.5	2.0	13.812	18.000	12.437	0.187	1.25	14.250	-0007
I	10	1.0	-	14.750	20.375	13.375	0.187	1.25	15.187	-0010
I	15	1.0	5.0	15.000	27.625	13.625	0.187	1.25	15.437	-0015
I	30	2.5	10.0	20.000	29.875	18.375	0.187	1.25	20.437	-0030
II	55	2.5	10.0	23.625	36.125	22.000	0.250	1.25	24.375	-0055
II	80	5.0	20.0	25.562	48.062	23.937	0.250	2.00	26.250	-0080
III	100	5.0	25.0	29.875	44.250	28.375	0.250	2.00	31.125	-0100
III	150	10.0	25.0	33.187	49.312	31.625	0.250	2.00	34.062	-0150
III	200	25.0	100.0	38.312	51.000	36.687	0.250	2.00	39.062	-0200
III	275	25.0	100.0	44.125	49.625	42.562	0.250	2.00	44.875	-0275
III	360	25.0	100.0	50.000	48.750	48.437	0.250	2.00	50.750	-0360
III	500	25.0	100.0	54.125	61.875	52.750	0.312	2.00	55.375	-0500
III	1000	25.0	100.0	68.937	77.000	67.000	0.437	2.00	70.000*	-1000



VIEW X-X
STYLE I




VIEW X-X
STYLE II



VIEW X-X
STYLE III

* 1000 Gal Tank Cover Design Different
* All Dimensions Nominal Inches

CAT. NO.	11100-0005	11100-0055	11100-0275
	11100-0007	11100-0080	11100-0360
	11100-0010	11100-0100	11100-0500
	11100-0015	11100-0150	11100-1000
	11100-0030	11100-0200	



SAINT-GOBAIN
PERFORMANCE PLASTICS

I-295 & Harmony Rd, Box 248, Mickleton, NJ 08056
TEL: (856) 426-6630 FAX (856) 423-8182

THIS DRAWING IS THE PROPERTY OF
SAINT-GOBAIN PERFORMANCE PLASTICS
AND IS LOANED UPON CONDITION THAT IT IS NOT TO BE
REPRODUCED OR COPIED, IN WHOLE OR IN PART, OR USED FOR
FURNISHING INFORMATION TO ANY PERSON OR COMPANY
WITHOUT THE PRIOR WRITTEN CONSENT OF THE CORPORATION
OR FOR ANY PURPOSE DETRIMENTAL TO THE CORPORATION'S
INTEREST AND SHALL BE RETURNED UPON REQUEST.

DESCRIPTION			
Cylindrical Tanks with Covers, High-Density Polyethylene			
MATERIAL	HDPE	TOLERANCES (except as noted)	DRAWN F. Haque
SCALE	Full	DECIMAL ±	CHECKED
DATE	06-11-01	FRACTIONAL ±	REVISION
		ANGULAR ±	
DRAWING NUMBER 11100 Series		REV. DATE	