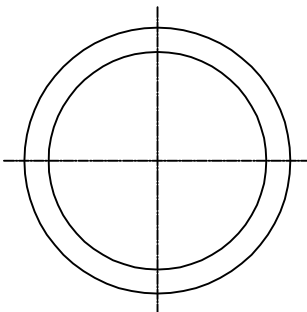
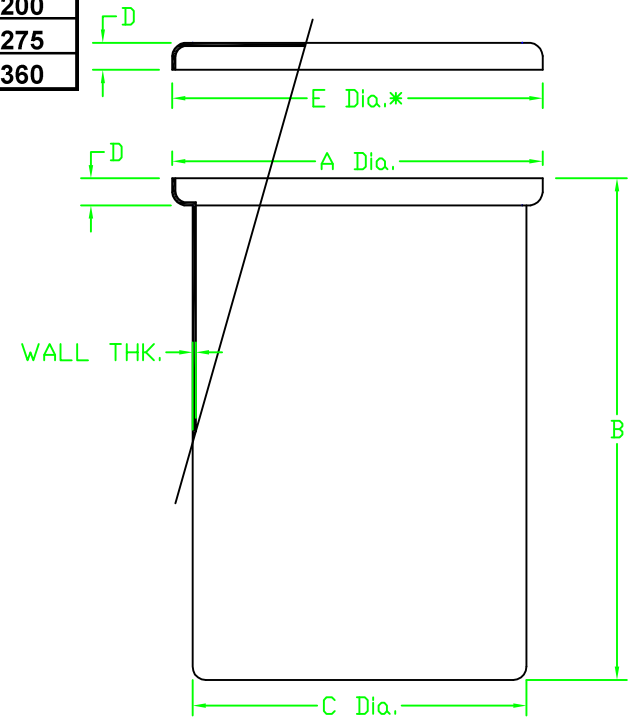
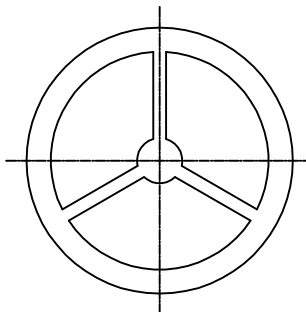


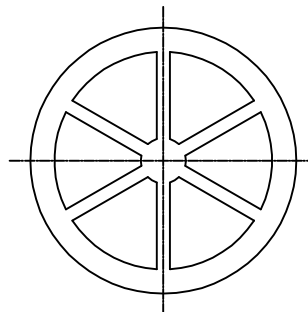
BOTT. STYLE	CAP GAL	CALIB RATION		A DIA	B	C DIA	WALL THK	D	E DIA	SIZE CODE
		GAL	LITERS							
I	5	0.5	2.0	12.250	15.250	11.125	0.187	1.000	12.875	-0005
I	7.5	0.5	2.0	13.750	17.875	12.500	0.187	1.250	14.312	-0007
I	10	1.0	-	14.750	20.562	13.500	0.187	1.250	15.312	-0010
I	15	1.0	5.0	14.750	27.750	13.500	0.187	1.250	15.312	-0015
I	30	2.5	10.0	19.375	29.312	18.500	0.187	1.250	20.125	-0030
II	55	2.5	10.0	23.750	36.375	22.187	0.250	1.250	24.562	-0055
II	80	5.0	20.0	25.562	48.375	24.125	0.312	1.250	26.625	-0080
III	100	5.0	25.0	29.750	44.312	28.562	0.312	2.000	30.625	-0100
III	150	10.0	25.0	33.375	49.625	31.812	0.312	2.000	34.312	-0150
III	200	25.0	100.0	38.000	49.562	36.937	0.312	2.000	38.875	-0200
III	275	25.0	100.0	44.125	49.687	42.875	0.312	2.000	44.875	-0275
III	360	25.0	100.0	50.000	48.812	48.750	0.312	2.000	50.375	-0360



VIEW X-X
STYLE I




VIEW X-X
STYLE II



VIEW X-X
STYLE III

*All Dimensions Nominal Inches

CAT. NO.	11200-0005	11200-0055	11200-0275
	11200-0007	11200-0080	11200-0360
	11200-0010	11200-0100	
	11200-0015	11200-0150	
	11200-0030	11200-0200	



SAINT-GOBAIN
PERFORMANCE PLASTICS

1-295 & Harmony Rd, Box 248, Mickleton, NJ 08056
TEL: (856) 426-6630 FAX (856) 423-8182

THIS DRAWING IS THE PROPERTY OF
SAINT-GOBAIN PERFORMANCE PLASTICS
AND IS LOANED UPON CONDITION THAT IT IS NOT TO BE
REPRODUCED OR COPIED, IN WHOLE OR IN PART, OR USED FOR
FURNISHING INFORMATION TO ANY PERSON OR COMPANY
WITHOUT THE PRIOR WRITTEN CONSENT OF THE CORPORATION
OR FOR ANY PURPOSE DETRIMENTAL TO THE CORPORATION'S
INTEREST AND SHALL BE RETURNED UPON REQUEST.

DESCRIPTION			
Cylindrical Tanks with Covers, Polypropylene			
MATERIAL	PP	TOLERANCES (except as noted)	DRAWN
			F. Haque
SCALE	Full	DECIMAL	±
		FRACTIONAL	±
DATE	06-11-01	ANGULAR	±
			CHECKED
			REVISION
			REV. DATE
DRAWING NUMBER		11200 Series	