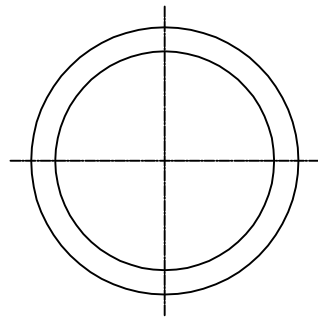
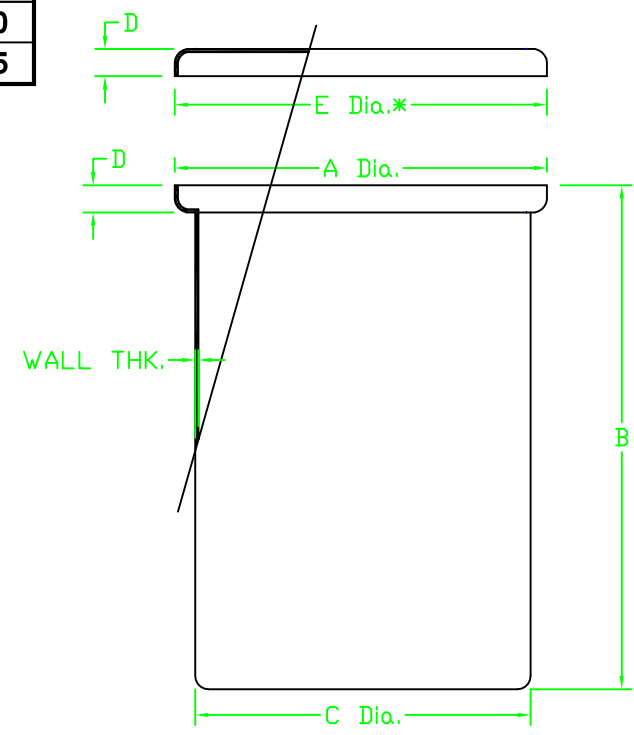
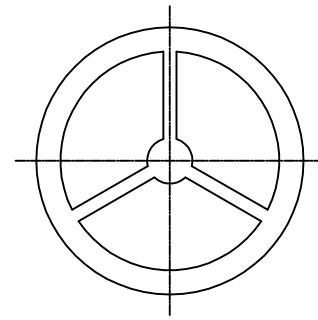


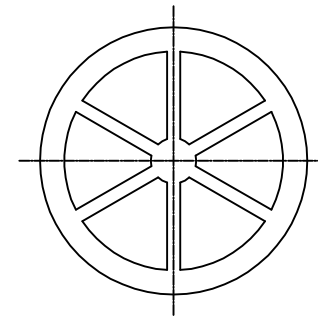
BOTT. STYLE	CAP GAL	CALIBRATION		A		C		WALL THK.	D	E	SIZE CODE
		GAL	LITERS	DIA	B	DIA	DIA				
I	5	0.5	2.0	12.375	15.125	11.000	0.093	1.000	12.813	-0005	
I	10	1.0	-	14.750	20.375	13.375	0.093	1.250	15.125	-0010	
I	15	1.0	5.0	15.000	27.625	13.625	0.093	1.250	15.375	-0015	
I	30	2.5	10.0	20.000	29.875	18.375	0.093	1.250	20.375	-0030	
II	55	2.5	10.0	23.625	36.125	22.000	0.125	1.250	24.250	-0055	
II	80	5.0	20.0	25.560	48.060	23.940	0.125	2.000	26.280	-0080	
II	100	5.0	25.0	30.000	44.250	28.375	0.125	2.000	30.750	-0100	
II	150	10.0	25.0	33.188	49.313	31.625	0.125	2.000	34.000	-0150	
III	200	25.0	100.0	38.313	51.000	36.688	0.125	2.000	39.000	-0200	
III	275	25.0	100.0	44.125	49.625	42.563	0.125	2.000	44.750	-0275	



VIEW X-X
STYLE I



VIEW X-X
STYLE II



VIEW X-X
STYLE III


SAINT-GOBAIN
PERFORMANCE PLASTICS
 I-295 & Harmony Rd, Box 248, Mickleton, NJ 08056
 TEL: (856) 426-6630 FAX (856) 423-8182

THIS DRAWING IS THE PROPERTY OF
SAINT-GOBAIN PERFORMANCE PLASTICS
 AND IS LOANED UPON CONDITION THAT IT IS NOT TO BE
 REPRODUCED OR COPIED, IN WHOLE OR IN PART, OR USED FOR
 FURNISHING INFORMATION TO ANY PERSON OR COMPANY
 WITHOUT THE PRIOR WRITTEN CONSENT OF THE CORPORATION'S
 INTEREST AND SHALL BE RETURNED UPON REQUEST.

DESCRIPTION			
Cylindrical Tanks with Covers, PVDF			
MATERIAL	PVDF	TOLERANCES (except as noted)	DRAWN F. Haque
SCALE	Full	DECIMAL ±	CHECKED
DATE	06-12-01	FRACTIONAL ±	REVISION
		ANGULAR ±	REV. DATE
DRAWING NUMBER		11500 Series	

CAT. NO.	11500-0005	11500-0055	11500-0200
	11500-0010	11500-0080	11500-0275
	11500-0015	11500-0100	
	11500-0030	11500-0150	

* All Dimensions Nominal Inches