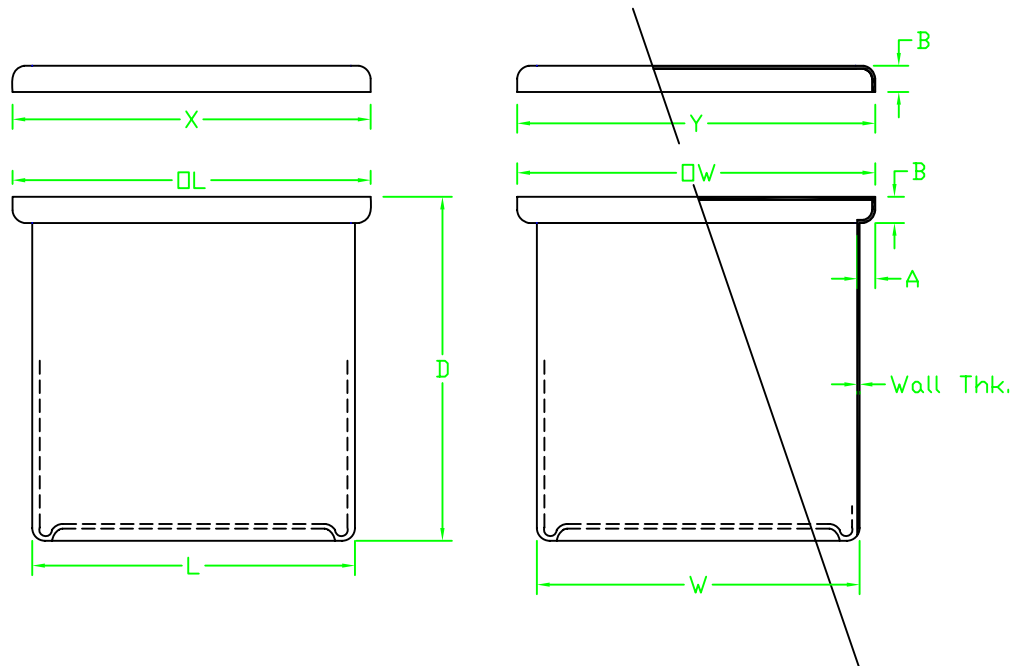



TANK SIZE	CAP GAL	OL	OW	L	W	D	A	B	WALL THK	SIZE CODE	COVER	
											X	Y
8 x 8 x 8	2	10.69	10.69	8.88	6.38	9.31	1.13	1.25	0.19	-0002	11.25	11.25
14 x 10 x 10	6	16.88	12.81	14.63	10.31	11.50	1.13	1.25	0.25	-0005	17.19	13.19
12 x 12 x 12	7	14.69	14.69	12.88	12.19	14.44	1.13	1.25	0.25	-0010	15.19	15.19
18 x 12 x 12	11	20.88	14.69	18.63	14.69	13.69	1.13	1.25	0.25	-0015	21.56	15.75
24 x 12 x 12	15	26.81	14.75	24.56	12.25	13.38	1.13	1.25	0.25	-0020	27.56	15.56
24 x 24 x 12	30	26.75	26.75	24.37	24.37	13.56	1.19	1.25	0.25	-0021	27.62	27.62
30 x 30 x 12	47	32.50	32.50	30.12	30.12	13.56	1.19	1.25	0.25	-0022	33.75	33.75
18 x 4 x 18	6	21.19	6.81	18.94	4.31	19.38	1.13	1.25	0.25	-0030	21.88	7.50
12 x 12 x 18	11	14.69	14.69	12.44	12.19	20.94	1.13	1.25	0.25	-0035	15.19	15.19
18 x 12 x 18	15	20.81	14.88	18.56	12.38	19.94	1.13	1.25	0.25	-0040	21.56	15.75
18 x 18 x 18	25	20.81	20.81	18.56	18.31	19.38	1.13	1.25	0.25	-0042	21.56	21.56
24 x 12 x 18	22	26.81	14.75	24.56	12.25	19.38	1.13	1.25	0.25	-0042	27.56	15.56
24 x 18 x 18	30	27.06	20.81	24.81	18.31	19.69	1.13	1.25	0.25	-0045	27.75	21.50
36 x 20 x 20	60	39.38	22.88	37.13	20.38	22.13	1.13	1.25	0.31	-0050	40.13	23.63
18 x 12 x 24	22	20.81	14.94	18.56	12.44	25.94	1.13	1.25	0.25	-0060	21.56	15.75
24 x 12 x 24	30	26.81	14.75	24.56	12.25	25.44	1.13	1.25	0.25	-0062	27.56	15.56
24 x 18 x 24	45	26.69	20.69	24.44	18.19	25.38	1.13	1.25	0.25	-0065	27.75	21.50
30 x 30 x 24	90	32.50	32.50	30.12	30.12	25.50	1.19	1.25	0.31	-0066	33.75	33.75
36 x 24 x 24	90	38.44	26.25	36.19	23.75	25.19	1.13	1.25	0.31	-0070	39.19	26.88
24 x 4 x 30	12	26.44	6.06	24.19	3.56	31.44	1.13	1.25	0.25	-0075	27.13	6.75
24 x 8 x 36	25	26.44	10.00	24.19	7.50	31.44	1.13	1.25	0.25	-0080	27.13	10.69
30 x 30 x 30	115	32.50	32.50	30.12	30.12	31.50	1.19	1.25	0.31	-0081	33.75	33.75
24 x 24 x 36	90	26.81	26.81	24.56	24.31	37.50	1.13	1.25	0.31	-0090	27.69	27.69
30 x 30 x 36	140	32.50	32.50	30.12	30.12	37.25	1.19	1.25	0.31	-0091	33.75	33.75

Nominal Dimensions-Inches



CAT. NO.			
14200-0002	14200-002	14200-004	14200-0070
14200-0005	14200-003	14200-005	14200-0075
14200-0010	14200-003	14200-006	14200-0080
14200-0015	14200-004	14200-006	14200-0081
14200-0020	14200-004	14200-006	14200-0090
14200-0021	14200-004	14200-006	14200-0091

 460 Milltown Road, Bridgewater, NJ 08907 TEL: (908) 218-8888 FAX (908) 218-9009		THIS DRAWING IS THE PROPERTY OF SAINT-GOBAIN PERFORMANCE PLASTICS AND IS LOANED UPON CONDITION THAT IT IS NOT TO BE REPRODUCED OR COPIED, IN WHOLE OR IN PART, OR USED FOR FURNISHING INFORMATION TO ANY PERSON OR COMPANY WITHOUT THE PRIOR WRITTEN CONSENT OF THE CORPORATION OR FOR ANY PURPOSE DETRIMENTAL TO THE CORPORATION'S INTEREST AND SHALL BE RETURNED UPON REQUEST.	
DESCRIPTION Rectangular Tanks with Covers - Polypropylene			
MATERIAL PP	TOLERANCES (except as noted)		DRAWN F. Haque
SCALE Full	DECIMAL	±	CHECKED
DATE 04-11-02	FRACTIONAL	±	REVISION
	ANGULAR	±	REV. DATE 05-18-05
DRAWING NUMBER 14200 Series			