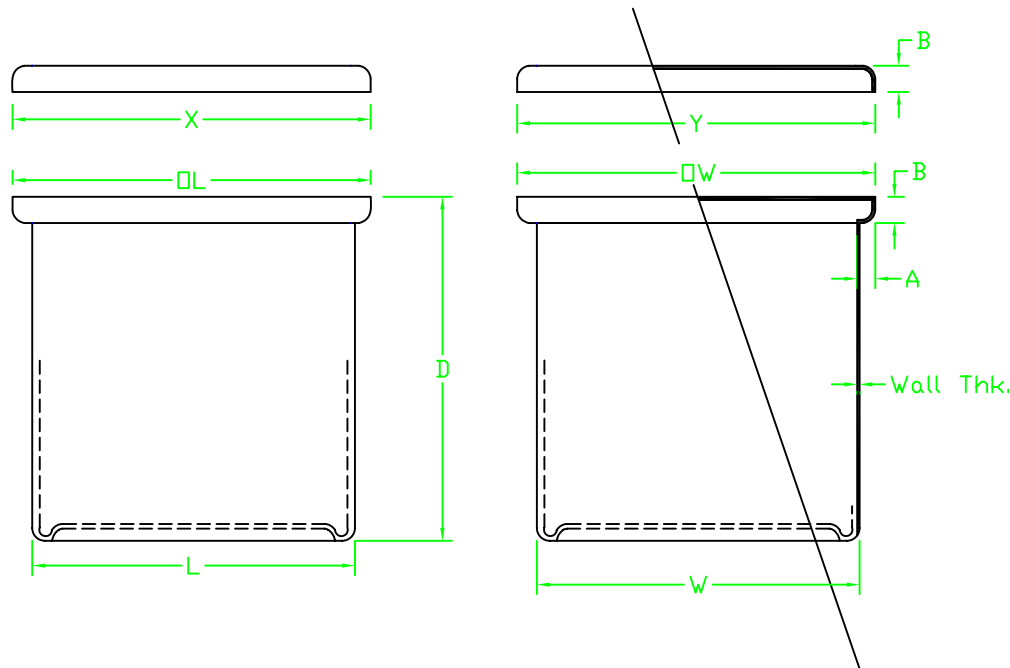



TANK SIZE	CAP GAL	OL	OW	L	W	D	A	B	WALL THK	COVER		SIZE CODE
										X	Y	
8 x 8 x 8	2	10.5625	10.5625	9.25	8.1875	8.1875	1.1875	1.25	0.0938	11.5	11.5	-0002
14 x 10 x 10	6	16.6875	12.6875	14.3125	10.3125	11.4375	1.1875	1.25	0.0938	17.3125	13.3125	-0005
12 x 12 x 12	7	14.5625	14.5625	12.1875	12.1875	14.3125	1.125	1.25	0.0938	15.1875	15.1875	-0010
18 x 12 x 12	11	20.6875	14.75	18.4375	12.5	13.4375	1.125	1.25	0.125	21.3125	15.375	-0015
24 x 12 x 12	15	26.625	14.625	24.375	12.375	13.25	1.125	1.25	0.125	27.3125	16.3125	-0020
24 x 24 x 12	30	26.75	26.75	24.37	24.37	13.56	1.19	1.25	0.125	27.62	27.62	-0021
18 x 12 x 18	15	20.6875	14.75	18.3125	12.375	19.8125	1.1875	1.25	0.125	21.4375	15.375	-0040
24 x 18 x 18	30	26.1875	20.6875	23.9375	18.4375	19.5625	1.125	1.25	0.125	27.4375	21.3125	-0045
36 x 20 x 20	60	39.1875	22.75	36.3125	20.5	22	1.125	1.25	0.125	39.875	23.4375	-0050
18 x 12 x 24	22	20.6875	14.75	18.4375	12.5	25.1875	1.125	1.25	0.125	21.3125	15.375	-0060
24 x 18 x 24	45	26.6875	20.5625	24.4375	18.1875	25.1875	1.125	1.25	0.125	27.4375	21.3125	-0065

Nominal Dimensions-Inches



CAT. NO.	
14500-0002	14500-0040
14500-0005	14500-0045
14500-0010	14500-0050
14500-0015	14500-0060
14500-0020	14500-0065
14500-0021	

 I-295 & Harmony Rd, Box 248, Mickleton, NJ 08056 TEL: (856) 426-6630 FAX (856) 423-8182		THIS DRAWING IS THE PROPERTY OF <b>SAINT-GOBAIN PERFORMANCE PLASTICS</b> AND IS LOANED UPON CONDITION THAT IT IS NOT TO BE REPRODUCED OR COPIED, IN WHOLE OR IN PART, OR USED FOR FURNISHING INFORMATION TO ANY PERSON OR COMPANY WITHOUT THE PRIOR WRITTEN CONSENT OF THE CORPORATION OR FOR ANY PURPOSE DETRIMENTAL TO THE CORPORATION'S INTEREST AND SHALL BE RETURNED UPON REQUEST.	
<b>DESCRIPTION</b>			
Rectangular Tanks with Covers - PVDF			
<b>MATERIAL</b>	PVDF	<b>TOLERANCES (except as noted)</b>	<b>DRAWN</b> F. Haque
<b>SCALE</b>	Full	<b>DECIMAL</b> ±	<b>CHECKED</b>
<b>DATE</b>	04-11-02	<b>FRACTIONAL</b> ±	<b>REVISION</b>
		<b>ANGULAR</b> ±	
<b>DRAWING NUMBER</b> 14500 Series			