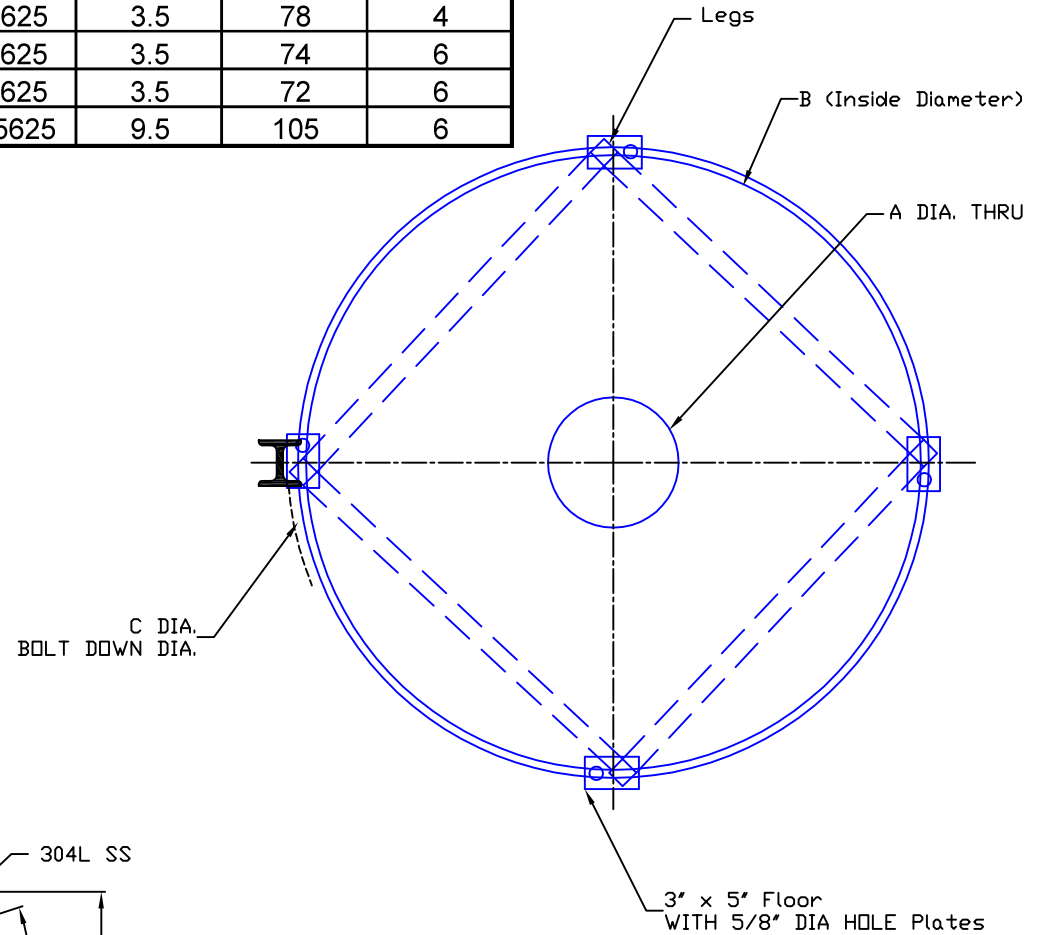
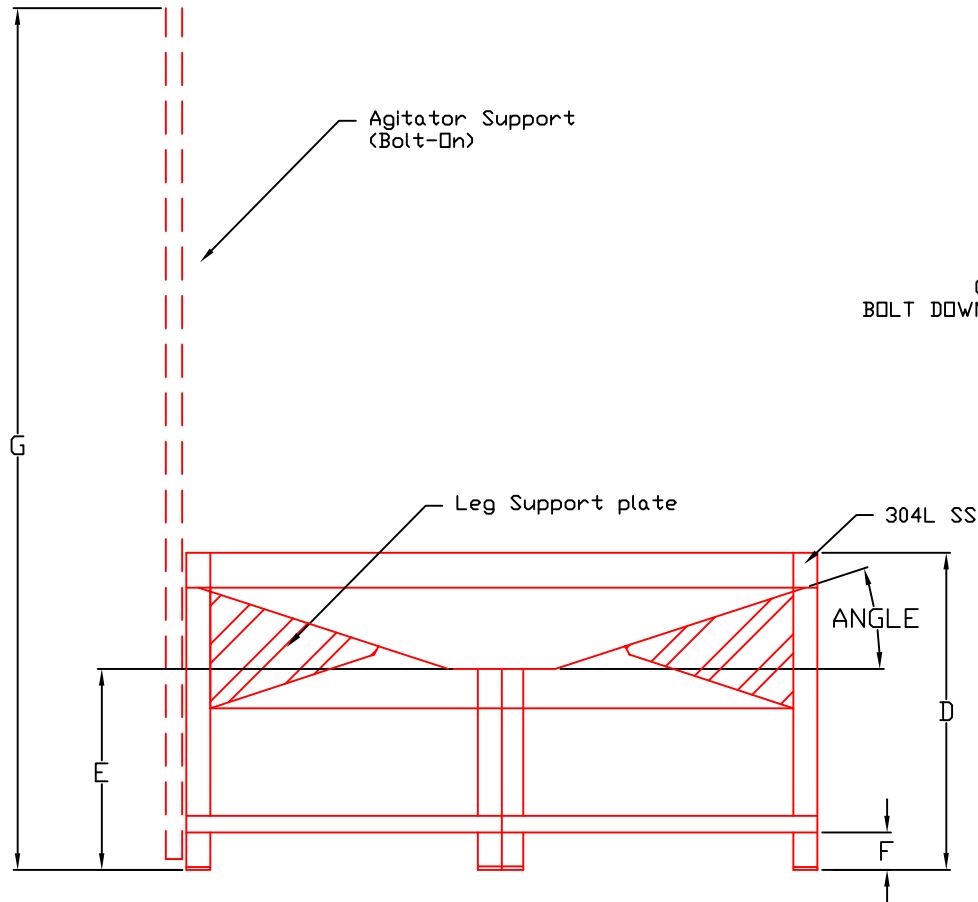



TANK SIZE	ANGLE	DIA A	DIA B	DIA C	DIM D	DIM E	DIM F	DIM G	NO. OF LEGS
30	30	5	19.125	20.625	24.5	18.625	3.5	56.5	4
55	30	7	23.125	24.25	25.5	18.625	3.5	63.25	4
100	30	7	33.25	34.875	28.75	18.625	3.5	64.25	4
150	30	7	33.25	34.875	28.75	18.625	3.5	78	4
250	30	7	43.625	45.125	32.5	18.625	3.5	74	6
400	18	9	56.875	58.375	29.375	18.625	3.5	72	6
500	45	8	55	56	45	18.5625	9.5	105	6



 SAINT-GOBAIN PERFORMANCE PLASTICS I-295 & Harmony Rd, Box 248, Mickleton, NJ 08056 TEL: (856) 426-6630 FAX (856) 423-8182		THIS DRAWING IS THE PROPERTY OF SAINT-GOBAIN PERFORMANCE PLASTICS AND IS LOANED UPON CONDITION THAT IT IS NOT TO BE REPRODUCED OR COPIED, IN WHOLE OR IN PART, OR USED FOR FURNISHING INFORMATION TO ANY PERSON OR COMPANY WITHOUT THE PRIOR WRITTEN CONSENT OF THE CORPORATION OR FOR ANY PURPOSE DETRIMENTAL TO THE CORPORATION'S INTEREST AND SHALL BE RETURNED UPON REQUEST.	
<b>DESCRIPTION</b>			
17000 Series tank Stand - Cone Bottom With Agitator Support			
<b>MATERIAL</b> Carbon Steel	<b>TOLERANCES (except as noted)</b>		<b>DRAWN</b> F. Haque
<b>SCALE</b> Full	<b>DECIMAL</b>	±	<b>CHECKED</b>
	<b>FRACTIONAL</b>	±	
<b>DATE</b> 04-10-02	<b>ANGULAR</b>	±	<b>REVISION</b> B
<b>DRAWING NUMBER</b>			<b>REV. DATE</b> 10-17-02
17110 Series			