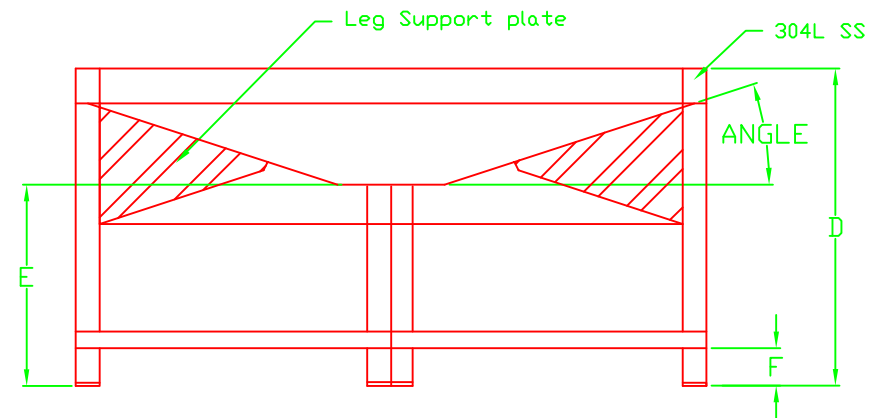
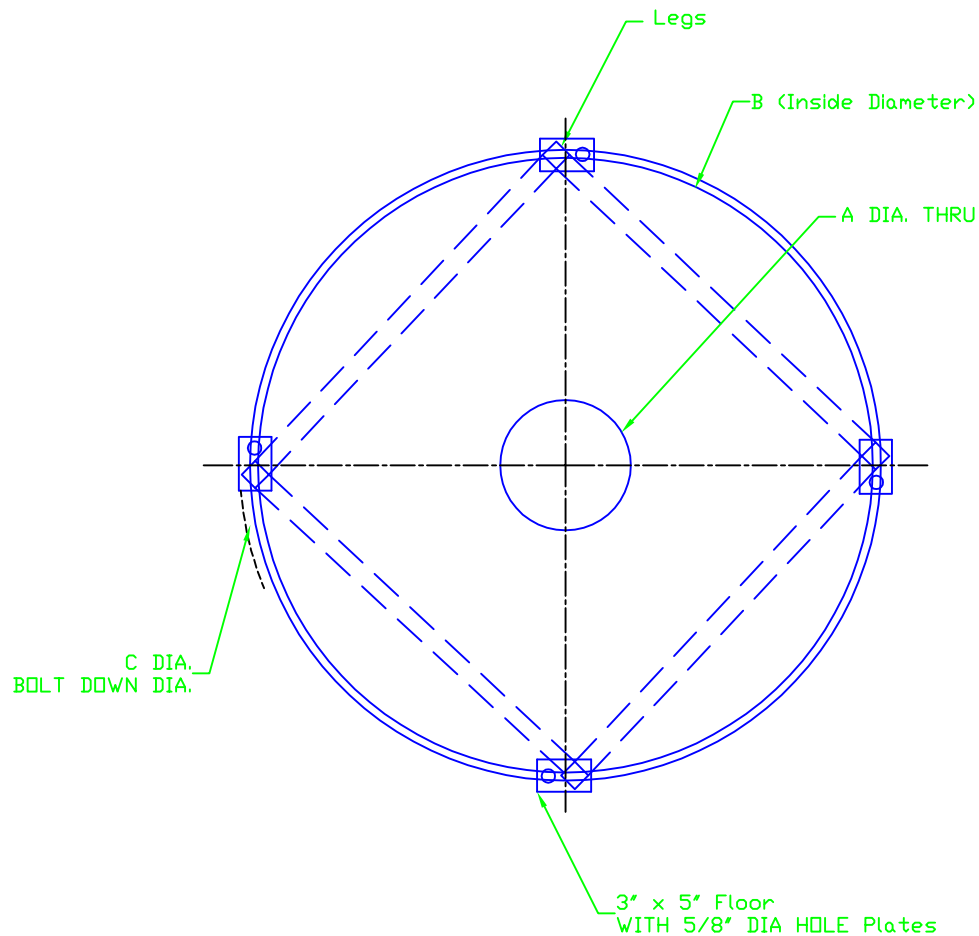



Rev A:09-10-03:
removed the agitator support from the drawing.

TANK SIZE	ANGLE	DIA A	DIA B	DIA C	DIM D	DIM E	DIM F	NO. OF LEGS
10	30	3.5	14.125	15.625	18.5	12.625	3.5	4
30	30	5	19.125	20.625	24.5	18.625	3.5	4
55	30	7	23.125	24.25	25.5	18.625	3.5	4
100	30	7	33.25	34.875	28.75	18.625	3.5	4
150	30	7	33.25	34.875	28.75	18.625	3.5	4
250	30	7	43.625	45.125	32.5	18.625	3.5	6
400	18	9	56.875	58.375	29.375	18.625	3.5	6
500	45	9	55	56	45	18.5625	9.5	6



 SAINT-GOBAIN PERFORMANCE PLASTICS I-295 & Harmony Rd, Box 248, Mickleton, NJ 08056 TEL: (856) 426-6630 FAX (856) 423-8182		THIS DRAWING IS THE PROPERTY OF SAINT-GOBAIN PERFORMANCE PLASTICS AND IS LOANED UPON CONDITION THAT IT IS NOT TO BE REPRODUCED OR COPIED, IN WHOLE OR IN PART, OR USED FOR FURNISHING INFORMATION TO ANY PERSON OR COMPANY WITHOUT THE PRIOR WRITTEN CONSENT OF THE CORPORATION OR FOR ANY PURPOSE DETRIMENTAL TO THE CORPORATION'S INTEREST AND SHALL BE RETURNED UPON REQUEST.	
DESCRIPTION		17000 Series tank Stand - Cone Bottom	
MATERIAL Carbon Steel	TOLERANCES (except as noted)	DRAWN F. Haque	
SCALE Full	DECIMAL	±	CHECKED
	FRACTIONAL	±	
DATE 04-10-02	ANGULAR	±	REVISION A
DRAWING NUMBER	17109 Series		
		REV. DATE	09-10-03