

Vinyl Strip Doors

Standard Strip

This universal VERILON® Vinyl Strip is used in 9 out of 10 installations. Available in a choice of four thicknesses and four strip widths to meet the needs of light-duty to heavy-duty applications, indoors and outdoors. **Meets CPAI-84 and California State Fire Marshall requirements for flame resistance.** Operating temperature from -10°F to 140°F. Meets USDA, FDA and Agriculture Canada requirements! Available in flat and ribbed.

Low Temperature Strip

Specially fabricated with FDA approved ingredients for use by the food processing industry. This special VERILON® Vinyl Strip helps sustain sub-zero temperatures while retaining its dimensional stability...remains flexible from -50°F to 140°F. Meets USDA, FDA, and Agriculture Canada requirements! The Vinyl Strip approved by the National Sanitation Foundation! **This is the only VERILON® Vinyl Strip for freezer use.** Available in flat and ribbed.

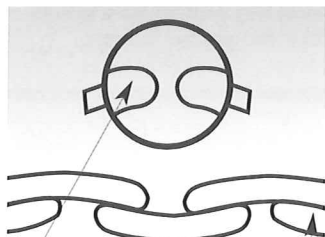
Welding Strip

Blocks over 99% of UV radiation. Designed for welding booths as well as spraying, grinding, and sand blasting enclosures. This VERILON® Vinyl Strip is fire retardant, highly transparent, noise deadening - and prevents dangerous near UV and UV radiation from penetrating adjacent areas. **POLARIZED VERILON® Vinyl Strip also meets CPAI-84 and California State Fire Marshall requirements for flame resistance (sparks won't burn thru).** It is not intended as a substitute for approved eye protection which should always be worn. Available in 80-gauge thickness in a strip width of 8 inches in colors of Bronze, Veri-Orange and Blue or heavy duty 120-gauge thickness in a strip width of 12 inches in Bronze. Available in flat only.

All three types of VERILON® Vinyl Strip are UV stabilized to prevent yellowing. VERILON® Vinyl Strip is resistant to most inorganic acids, bases and salts. Since some organic solvents can affect vinyl, user should test material for specific applications.

GSA Approved! Our VERILON® Vinyl Strip is the vinyl strip approved by GSA for federal government purchase.

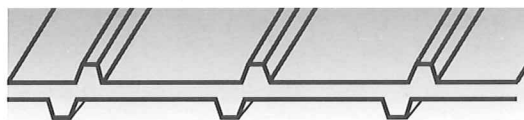
Flat Verilon®



The smoothly beveled, rounded edges won't cut, snag, or scratch anything they come in contact with.

The strips' concave-convex curvature promotes a tighter seal, yet the strips spread apart easily for passage.

Ribbed Verilon®



Ribbed Verilon® Vinyl Strips (see diagram above) provide maximum structural strength and energy savings. Reinforcing ribs on each side interlock for a tighter thermal seal. Reinforcing ribs also prolong see-thru clarity of vinyl by reducing marring and scratching on the strip surface which cuts down need for replacement. Ribbed Verilon® Vinyl Strips are ideal for heavy traffic areas.

**A recent test performed by U.S. Testing Co., Inc. proved Verilon® Ribbed Vinyl Strip out performed other brands repeatedly in strength and tear resistance. Ask for a certified copy of the test results.*

Verilon[®] Vinyl Strip Doors Are Available Two Ways!

1. PRE-CUT AND PUNCHED in standard and custom sizes that come ready-to-hang complete with hardware

2. BULK ROLLS of vinyl strip for those who prefer to make their own Strip Doors. Use the recommendations below to help you determine proper gauge, width and overlap.

Thickness Width Overlap

For lightweight traffic closures only, such as conveyor doors (not for exterior openings).	.060"	6"	Full (3")
For freezers, coolers, refrigerated trucks, and personnel doors.	.080"	8"	2"
For interior doors to 10' high. Not recommended for exterior opening.	.080"	8"	Full (4")
For minimum protection for interior/exterior openings from 9' to 14' high.	.120"	12"	4"
For better protection for interior/exterior openings from 9' to 14' high, severe temperature and windy conditions.	.120"	12"	Full (6")
For exterior doors up to 25' high with heavy vehicular traffic.	.160"	16"	4"
For exterior doors up to 25' high with constant heavy-duty equipment traffic. Best for sound control. Not recommended for frequent personnel traffic.	.160"	16"	Full (8")

Guide for determining the strip quantity required for your enclosure

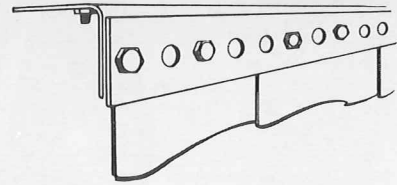
- 6" wide strip with 2" overlap; multiply sq. ft. of opening by 3.0.
 - 6" wide strip with full (3") overlap; multiply sq. ft. of opening by 4.0.
 - 8" wide strip with 2" overlap; multiply sq. ft. of opening by 2.0.
 - 8" wide strip with full (4") overlap; multiply sq. ft. of opening by 3.0.
 - 12" wide strip with a 4" overlap; multiply sq. ft. of opening by 1.5.
 - 12" wide strip with a full (6") overlap; multiply sq. ft. of opening by 2.0.
 - 16" wide strip with a 4" overlap; multiply sq. ft. of opening by 1.0.
 - 16" wide strip with a full 8" overlap; multiply sq. ft. of opening by 1.5.
- On WALL MOUNT installations, remember to allow an extra 3" on top and 6" on each side.**

Information and Specifications herein subject to change without notice.

Choose from three types of hardware for easy installation

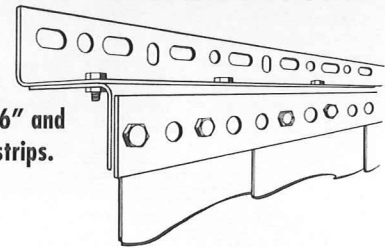
Hardware is made of heavy-duty steel with a corrosion resistant baked on gray enamel finish.

Header Mount



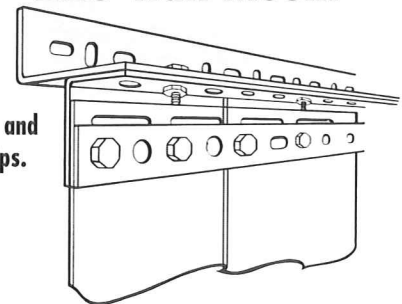
Bolts inside the door frame to the door header (lintel).
Approved for all strip sizes

140 Wall Mount



For 6" and 8" strips.

225 Wall Mount



For 12" and 16" strips.

140 and 225 Wall Mounts bolt to interior wall – allow at least 3" above door header and at least 6" beyond each side of the opening for better weather seal.

NOTE: Wall mount is preferred because there is less risk of tearing strips from the mount and less risk of damaging door hardware.

These products are available from

AP

Aetna Plastics

800.634.3074 - www.aetnastics.com