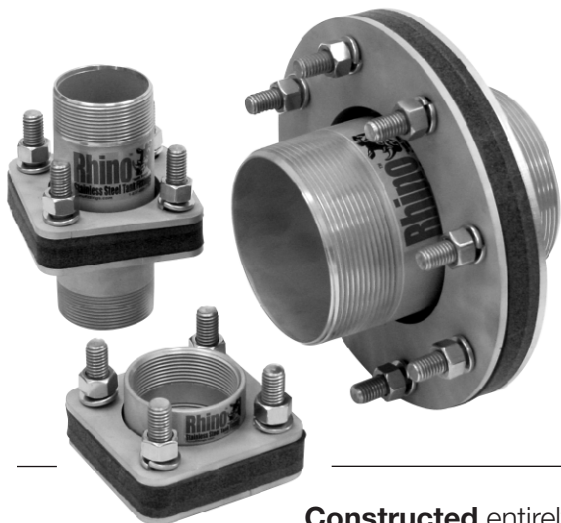


**“Built Tough”**



**Rhino™**

**Stainless Steel Tank Fittings**



**D**esigned and engineered to perform under the harshest conditions, Rhino™ Stainless Steel Tank Fittings offer the ultimate in sealing power, corrosion resistance and *Outright Brute Strength*.  
**The Industry Leader...Made in the USA**

**Constructed** entirely from chemical resistant, type 316 Stainless Steel, every Rhino fitting is laser cut from super heavy duty plate stock and robotically welded to exacting standards...a true work of industrial art.

Tank fittings are only as strong as their weakest link, which is why we've left nothing to chance on Rhino fittings.

- Oversized 1/2" diameter studs
- Die cut XLPE gaskets for maximum leak protection
- Optional EPDM or Viton gaskets

Unparalleled manufacturing quality and product durability make Rhino the most trusted and dependable tank fittings available today.

- Precision tooling guarantees 100% accuracy on each fitting
- Strict quality control standards and procedures
- Unconditional Lifetime Guarantee (when installed with supplied anti-seize). You break it, we'll send you a new replacement no questions asked!

End the frustration and costly delays caused by fittings that leak and fail. Save critical time and money with Rhino Stainless Steel Tank Fittings.

Authorized Distributor:

**Aetna Plastics Corp. 9075 Bank Street, Valley View, OH 44125 • Tel: 800-634-3074  
216-781-4421 • Fax: 216-524-2280 • sales@aetnaplastics.com • www.aetnaplastics.com**