

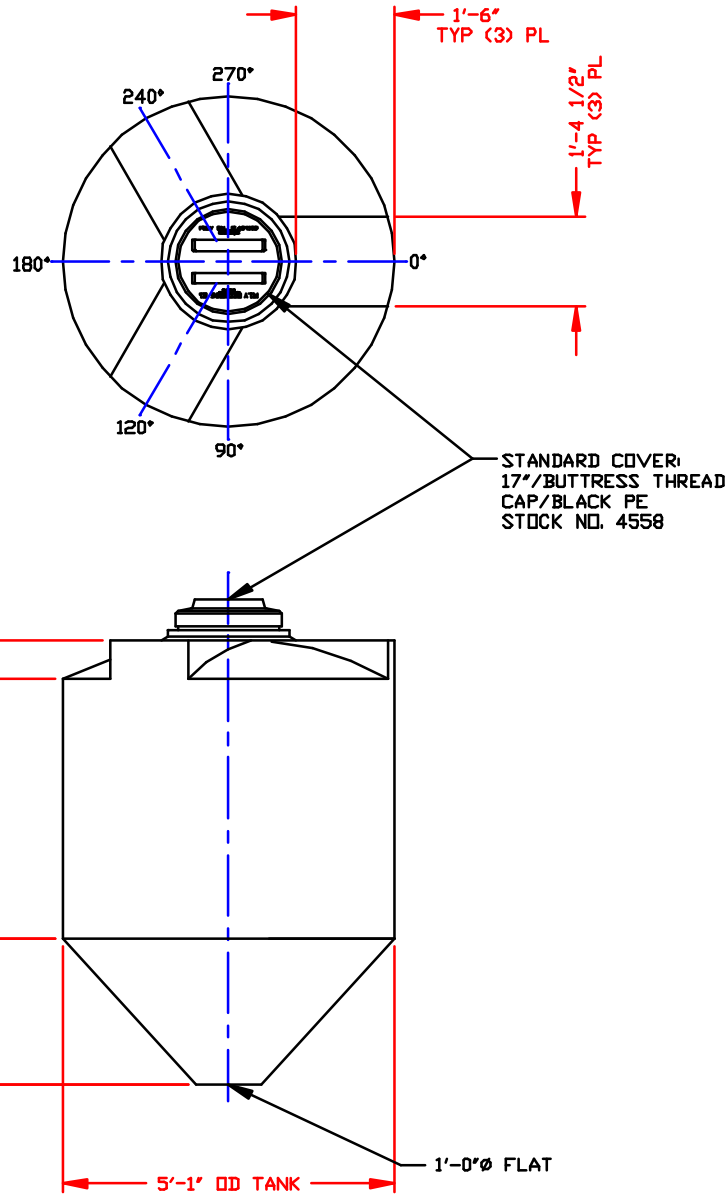
NON-CONTROLLED COPY

INFORMATION SUBJECT TO CHANGE WITHOUT NOTICE

COPY WILL NOT BE UPDATED

COPY ISSUED BY.....

COPY ISSUED ON.....



NOZZLE SCHEDULE & ACCESSORIES						
SERVICE	MK	STOCK NO.	SIZE	FITTING	DEG	ELEV

- NOTES**
- THIS IS A COMPUTER GENERATED DWG. DO NOT REVISE BY HAND.
 - DIMENSIONS WILL VARY ±3% DUE TO VARIATIONS IN MULTIPLE MOLDS & CONDITIONS PREVALENT DURING MANUFACTURE & USAGE.
 - NO MOLDED IN GALLONAGE MARKERS THIS TANK.

CALCULATED CAPACITIES/ VOLUME IN U.S. GALLONS		
DESIGN CAP	DOME VOL	TOTAL VOL
738	45	783

CONFIDENTIAL PROPERTY OF
POLY PROCESSING COMPANY
NOT FOR REPRINT OR USE
WITHOUT PERMISSION

DWG TITLE		735 GALLON 48° CONE BOTTOM TANK					
SCALE	1/2"=1'-0"		Windows Register No. 246 88 1992-2001 Copyright © Poly Processing Poly Processing, Inc. 735 GALLON 48°-4000				
DATE	5/8/00		DR	MB WILKERSON			
Distributed by		www.aetnaplastics.com	CK	J. RECTOR			
AETNA PLASTICS	800-634-3074	SHEET	1 OF 1	COMPUTER FILE	14000735	REV	-