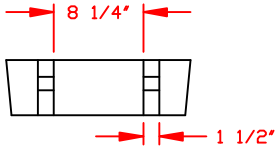
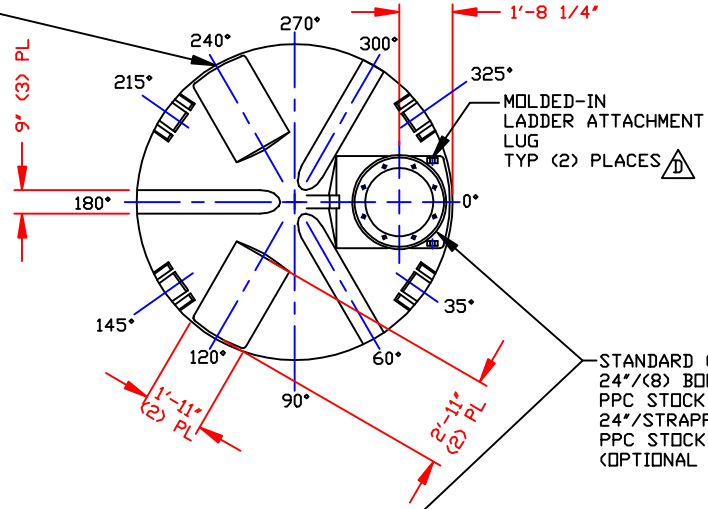


NON-CONTROLLED COPY
 INFORMATION SUBJECT TO CHANGE WITHOUT NOTICE
 VERIFY REV LEVEL OF PAPER COPY WITH REV LEVEL ON PPC WEB SITE

▲ MOLDED-IN LIFTING LUG PAIRS (4) PLACES
 USE MINIMUM OF (1) LUG AT EACH LOCATION FOR LIFTING
 DO NOT LIFT WITH STAND ATTACHED (SEE DETAIL)



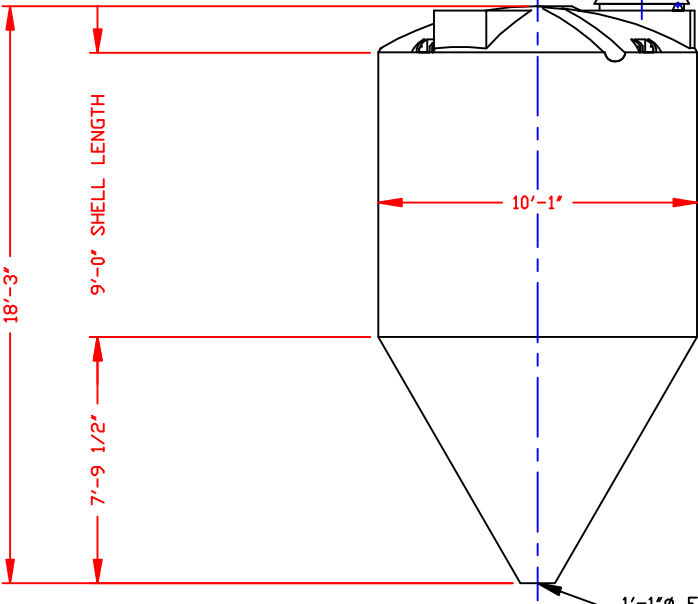
LIFTING LUG DETAIL
 (4) PLACES
 SCALE: 1"=1'-0"



STANDARD COVER:
 24"/(8) BOLT MANWAY COVER/PE (SHOWN)
 PPC STOCK NO. 3218 OR
 24"/STRAPPED MANWAY COVER/PE
 PPC STOCK NO. 3217
 (OPTIONAL 24" COVERS AVAILABLE)



NOZZLE SCHEDULE & ACCESSORIES						
SERVICE	MK	STOCK NO.	SIZE	FITTING	DEG	ELEV



NOTE: ▲ MUST USE FLEXIBLE CONNECTIONS ALL LOWER SIDEWALL FITTINGS

- NOTES
1. THIS IS A COMPUTER GENERATED DWG. DO NOT REVISE BY HAND.
 2. DIMENSIONS WILL VARY ±3% DUE TO VARIATIONS IN MULTIPLE MOLDS & CONDITIONS PREVALENT DURING MANUFACTURE & USAGE.
 3. NO MOLDED IN GALLONAGE MARKERS THIS TANK.

CALCULATED CAPACITIES/ VOLUME IN U.S. GALLONS		
DESIGN CAP	DOME VOL	TOTAL VOL
6856	480	7336

CONFIDENTIAL PROPERTY OF
 POLY PROCESSING COMPANY
 NOT FOR REPRINT OR USE
 WITHOUT PERMISSION

DWG TITLE			
6850 GALLON 60° CONE BOTTOM TANK			
SCALE: 1/4"=1'-0"		Western Region	DR: MB WILKERSON
DATE: 5/9/00		<small>P.O. Box 88 8902 South Ash Street French Camp, CA 95821 (925) 962-9194 FAX (925) 962-9405</small>	CK: D. RECTOR
Distributed by	www.aetnoplastics.com	SHEET	COMPUTER FILE
AETNA PLASTICS	800-634-3074	1 OF 1	14006850 D

- REV "D" ADDED LADDER ATTCHMENT LUGS/REVISED COVER BY:JB 10/13/08 CK:WM
- REV "C" ADDED FITTING NOTE BY:JB 8/21/03 CK:WM
- REV "B" REVISED STOCK NUMBER BY:JB 8/21/03 CK:WM
- REV "A" ADDED LIFTING LUGS & DETAIL BY:JB 8/21/03 CK:WM