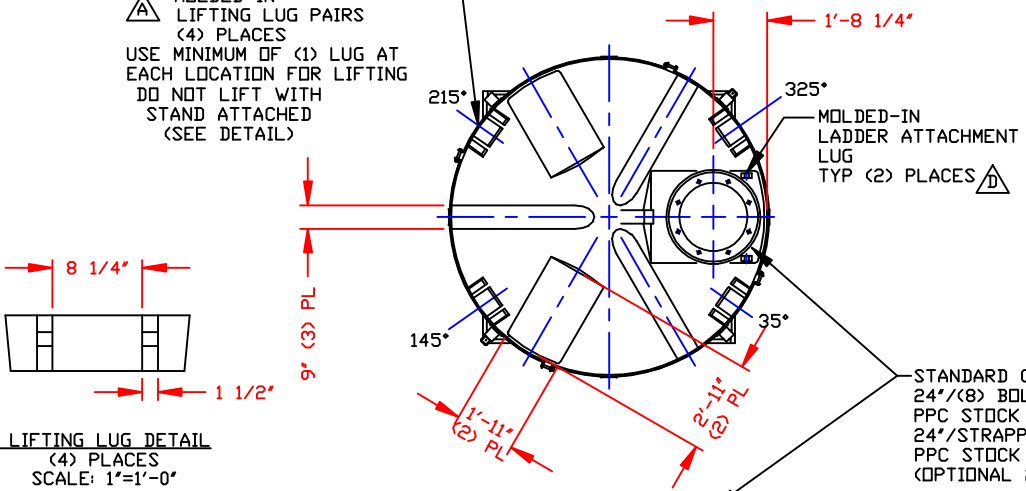


NON-CONTROLLED COPY
 INFORMATION SUBJECT TO CHANGE WITHOUT NOTICE
 VERIFY REV LEVEL OF PAPER COPY WITH REV LEVEL ON PPC WEB SITE

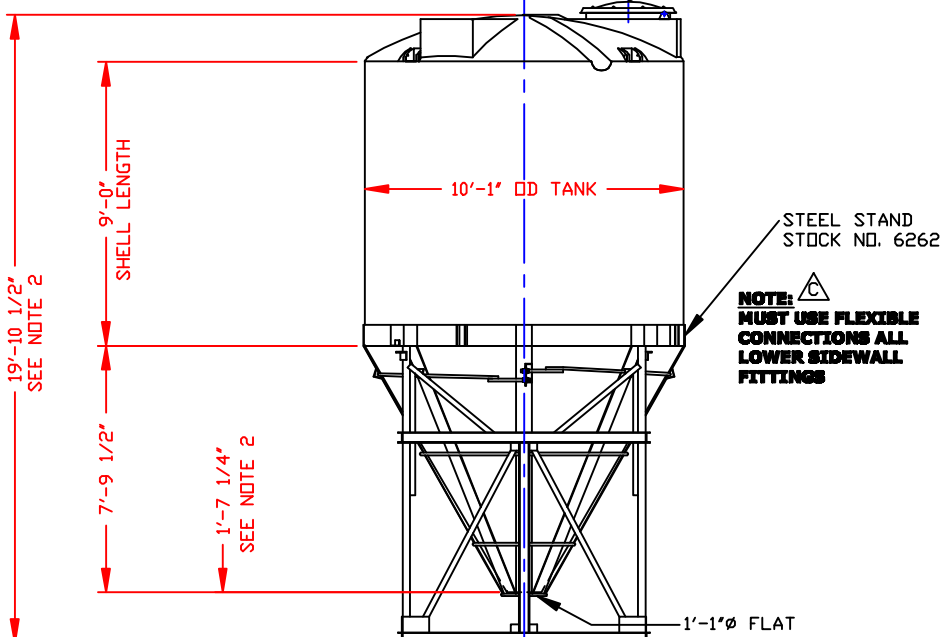
A MOLDED-IN LIFTING LUG PAIRS (4) PLACES
 USE MINIMUM OF (1) LUG AT EACH LOCATION FOR LIFTING
 DO NOT LIFT WITH STAND ATTACHED (SEE DETAIL)



LIFTING LUG DETAIL
 (4) PLACES
 SCALE: 1"=1'-0"

STANDARD COVER:
 24"/(8) BOLT MANWAY COVER/PE (SHOWN)
 PPC STOCK NO. 3218 OR
 24"/STRAPPED MANWAY COVER/PE
 PPC STOCK NO. 3217
 (OPTIONAL 24" COVERS AVAILABLE)

NOZZLE SCHEDULE & ACCESSORIES					
SERVICE	MK	STOCK NO.	SIZE	FITTING	DEG ELEV



STEEL STAND
 STOCK NO. 6262
NOTE: **MUST USE FLEXIBLE CONNECTIONS ALL LOWER SIDEWALL FITTINGS**

- NOTES**
- THIS IS A COMPUTER GENERATED DWG. DO NOT REVISE BY HAND.
 - DIMENSIONS WILL VARY ±3% DUE TO VARIATIONS IN MULTIPLE MOLDS & CONDITIONS PREVALENT DURING MANUFACTURE & USAGE. WHEN FILLED, TANK MAY SETTLE IN STAND CAUSING VARIATIONS IN BOTTOM CLEARANCE & OVERALL HEIGHT DIMENSIONS.
 - NO MOLDED IN GALLONAGE MARKERS THIS TANK.

CALCULATED CAPACITIES/ VOLUME IN U.S. GALLONS		
DESIGN CAP	DOME VOL	TOTAL VOL
6856	480	7336

CONFIDENTIAL PROPERTY OF
 POLY PROCESSING COMPANY
 NOT FOR REPRINT OR USE
 WITHOUT PERMISSION

DWG TITLE 6850 GALLON 60° CONE BOTTOM TANK W/STEEL STAND			
SCALE: 1/4"=1'-0"		Western Region P.O. Box 88 8025 South Ash Street French Camp, CA 95231 CITY 925-9544 FAX 0205-988-0455	DR: MB WILKERSON
DATE: 5/10/00		POLY PROCESSING C O M P A N Y	CK: D. RECTOR
Distributed by www.aetnoplastics.com	SHEET 1 OF 1	COMPUTER FILE 14006850S	REV D
AETNA PLASTICS 800-634-3074			

REV "D" ADDED LADDER ATTACHMENT LUGS/REVISED COVER BY:JB 10/13/08 CK:WM
 REV "C" ADDED FITTING NOTE BY:JB 8/21/03 CK:WM
 REV "B" REVISED STOCK NUMBER BY:JB 8/21/03 CK:WM
 REV "A" ADDED LIFTING LUGS & DETAIL BY:JB 8/21/03 CK:WM