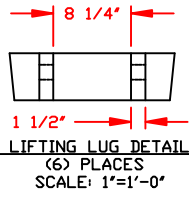
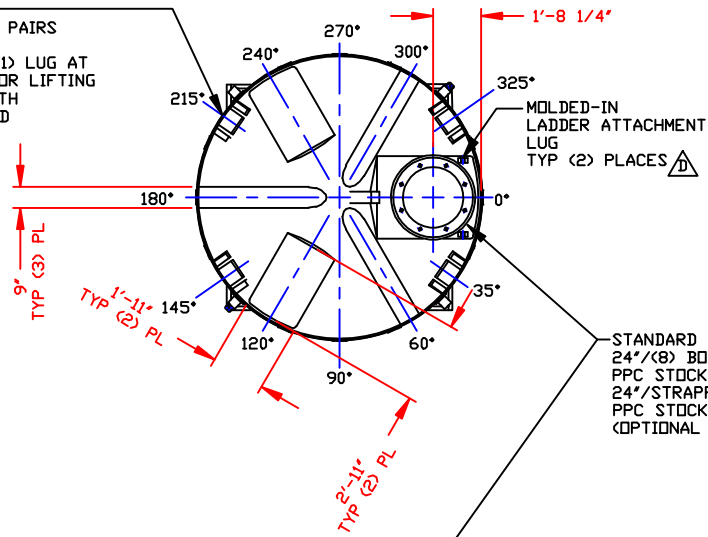


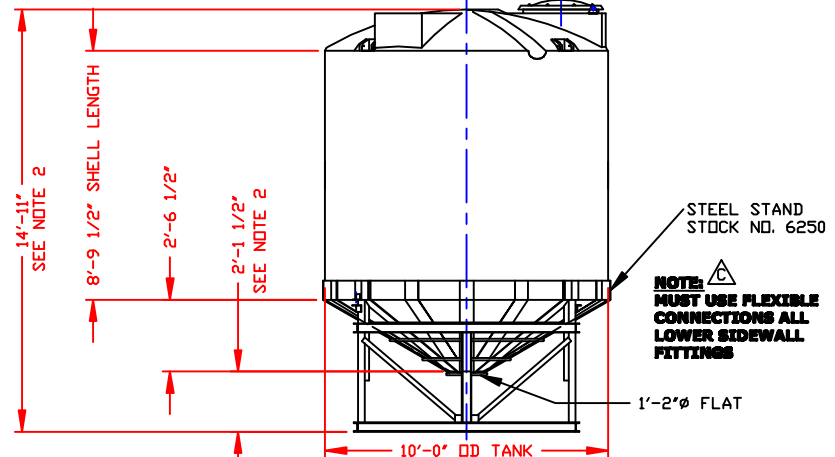
NON-CONTROLLED COPY  
 INFORMATION SUBJECT TO CHANGE WITHOUT NOTICE  
 VERIFY REV LEVEL OF PAPER COPY WITH REV LEVEL ON PPC WEB SITE

**▲** MOLDED-IN LIFTING LUG PAIRS (4) PLACES  
 USE MINIMUM OF (1) LUG AT EACH LOCATION FOR LIFTING  
 DO NOT LIFT WITH STAND ATTACHED (SEE DETAIL)



STANDARD COVER:  
 24"/(8) BOLT MANWAY COVER/PE (SHOWN)  
 PPC STOCK NO. 3218 OR  
 24"/STRAPPED MANWAY COVER/PE  
 PPC STOCK NO. 3217  
 (OPTIONAL 24" COVERS AVAILABLE)

**▲ ▲**



STEEL STAND  
 STOCK NO. 6250

**NOTE: ▲**  
 MUST USE FLEXIBLE CONNECTIONS ALL LOWER SIDEWALL FITTINGS

NOZZLE SCHEDULE & ACCESSORIES					
SERVICE	MK	STOCK NO.	SIZE	FITTING	DEG ELEV

- NOTES**
- THIS IS A COMPUTER GENERATED DWG. DO NOT REVISE BY HAND.
  - DIMENSIONS WILL VARY ±3% DUE TO VARIATIONS IN MULTIPLE MOLDS & CONDITIONS PREVALENT DURING MANUFACTURE & USAGE. WHEN FILLED, TANK MAY SETTLE IN STAND CAUSING VARIATIONS IN BOTTOM CLEARANCE & OVERALL HEIGHT DIMENSIONS.
  - NO MOLDED IN GALLONAGE MARKERS THIS TANK.

CALCULATED CAPACITIES/ VOLUME IN U.S. GALLONS		
DESIGN CAP	DOME VOL	TOTAL VOL
5597	470	6067

CONFIDENTIAL PROPERTY OF  
 POLY PROCESSING COMPANY  
 NOT FOR REPRINT OR USE  
 WITHOUT PERMISSION

**DWG TITLE**  
 5550 GALLON 30° CONE BOTTOM TANK  
 W/STEEL STAND

SCALE: 1/4"=1'-0"

DATE: 5/23/00

Distributed by: **AETNA PLASTICS** 800-634-3074

www.aetnplastics.com

**Poly Processing Company**

**Western Region**  
 P.O. Box 88  
 2025 South Ave Street  
 French Camp, CA 95228  
 (530) 946-1100  
 FAX: (530) 946-4488

DR: MB WILKERSON  
 CK: J. BRANTLEY

SHEET: 1 OF 1  
 COMPUTER FILE: 14105550S  
 REV: D

REV "D" ADDED LADDER ATTCHMENT LUGS/REVISED COVER BY:JB 10/13/08 CK:WM  
 REV "C" ADDED FITTING NOTE BY:JB 8/21/03 CK:WM  
 REV "B" REVISED STOCK NUMBER BY:JB 8/21/03 CK:WM  
 REV "A" ADDED LIFTING LUGS & DETAIL BY:JB 8/21/03 CK:WM

E-23