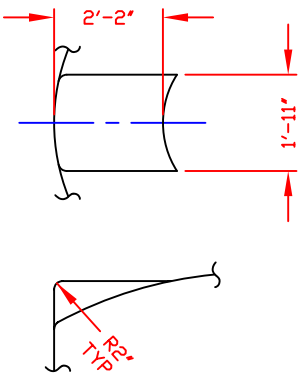
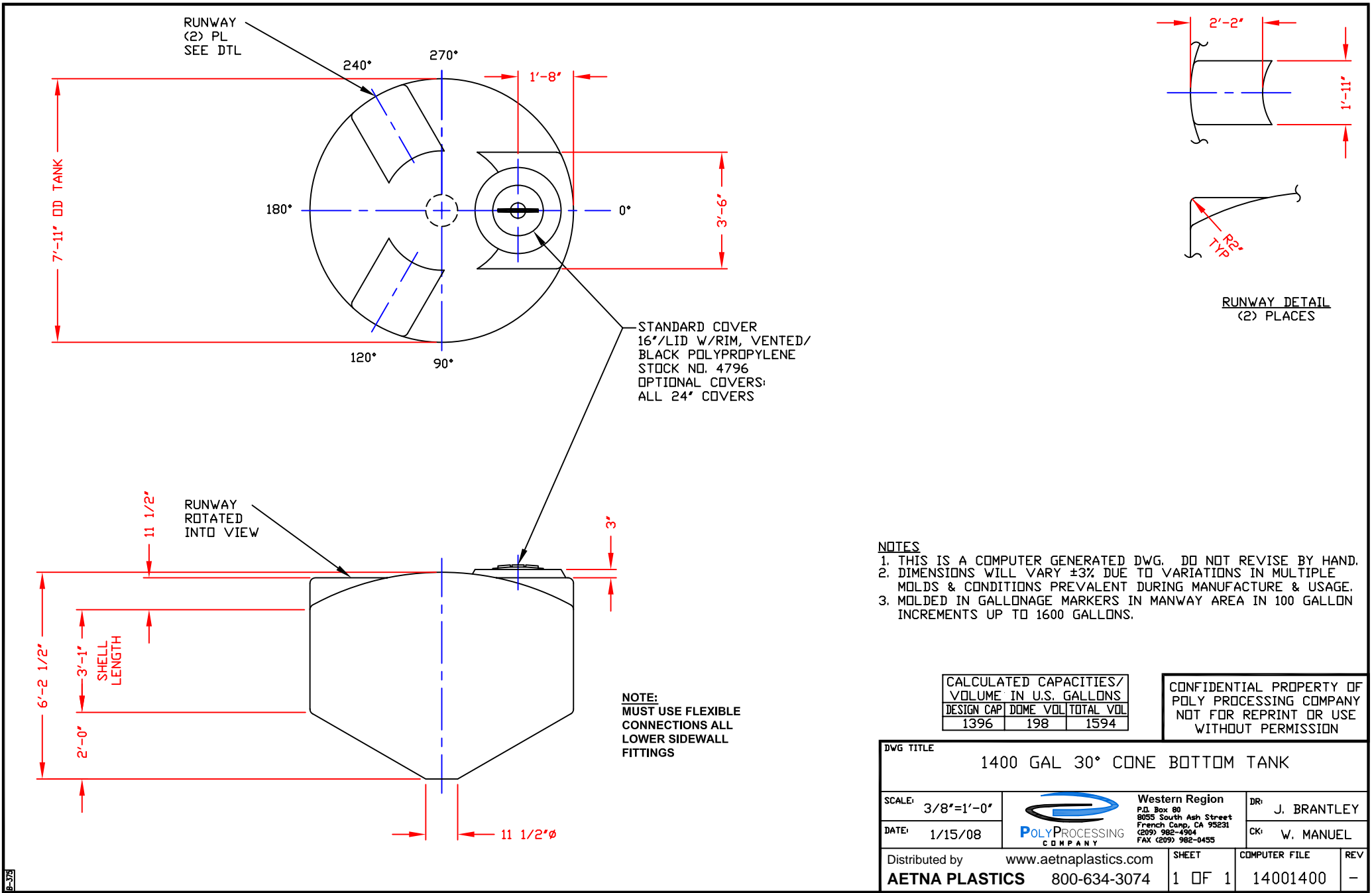


NON-CONTROLLED COPY  
 INFORMATION SUBJECT TO CHANGE WITHOUT NOTICE  
 VERIFY REV LEVEL OF PAPER COPY WITH REV LEVEL ON PPC WEB SITE



**RUNWAY DETAIL**  
(2) PLACES


STANDARD COVER  
 16\"/>

- NOTES**
1. THIS IS A COMPUTER GENERATED DWG. DO NOT REVISE BY HAND.
  2. DIMENSIONS WILL VARY ±3% DUE TO VARIATIONS IN MULTIPLE MOLDS & CONDITIONS PREVALENT DURING MANUFACTURE & USAGE.
  3. MOLDED IN GALLONAGE MARKERS IN MANWAY AREA IN 100 GALLON INCREMENTS UP TO 1600 GALLONS.

CALCULATED CAPACITIES/ VOLUME IN U.S. GALLONS		
DESIGN CAP	DOME VOL	TOTAL VOL
1396	198	1594

CONFIDENTIAL PROPERTY OF  
 POLY PROCESSING COMPANY  
 NOT FOR REPRINT OR USE  
 WITHOUT PERMISSION

**NOTE:**  
 MUST USE FLEXIBLE  
 CONNECTIONS ALL  
 LOWER SIDEWALL  
 FITTINGS

DWG TITLE		1400 GAL 30° CONE BOTTOM TANK		
SCALE:	3/8"=1'-0"	 <b>POLY PROCESSING</b> COMPANY	Western Region	DR: J. BRANTLEY
DATE:	1/15/08		P.O. Box 80 8055 South Ash Street French Camp, CA 95231 (209) 982-4904 FAX (209) 982-0455	CK: W. MANUEL
Distributed by		www.aetnplastics.com	SHEET	COMPUTER FILE
<b>AETNA PLASTICS</b>		800-634-3074	1 OF 1	14001400 -