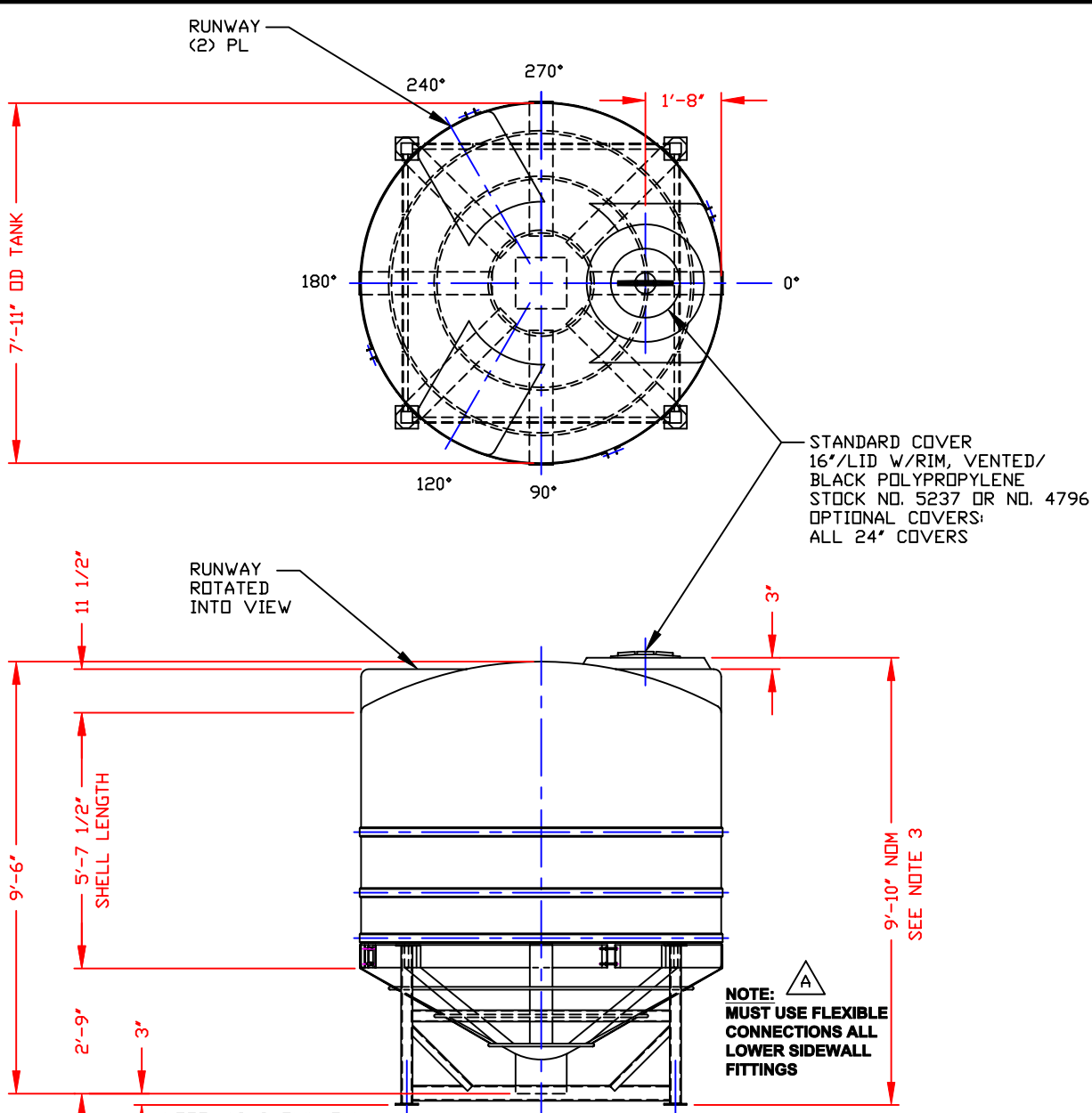


NON-CONTROLLED COPY
 INFORMATION SUBJECT TO CHANGE WITHOUT NOTICE
 VERIFY REV LEVEL OF PAPER COPY WITH REV LEVEL ON PPC WEB SITE



NOZZLE SCHEDULE & ACCESSORIES					
SERVICE	MK	STOCK NO.	SIZE	FITTING	DEG ELEV

- NOTES**
1. THIS IS A COMPUTER GENERATED DWG. DO NOT REVISE BY HAND.
 2. DIMENSIONS WILL VARY ±3% DUE TO VARIATIONS IN MULTIPLE MOLDS & CONDITIONS PREVALENT DURING MANUFACTURE & USAGE. WHEN FILLED, TANK MAY SETTLE IN STAND CAUSING VARIATIONS IN BOTTOM CLEARANCE & OVERALL HEIGHT DIMENSIONS.
 3. MOLDED IN GALLONAGE MARKERS IN MANWAY AREA IN 100 GALLON INCREMENTS UP TO 2400 GALLONS.

CALCULATED CAPACITIES/ VOLUME IN U.S. GALLONS		
DESIGN CAP	DOME VOL	TOTAL VOL
2333	198	2531

CONFIDENTIAL PROPERTY OF
 POLY PROCESSING COMPANY
 NOT FOR REPRINT OR USE
 WITHOUT PERMISSION

DWG TITLE					
2300 GAL 30° CONE BOTTOM TANK W/STAND					
SCALE: 3/8"=1'-0"	POLY PROCESSING Company	Central Region P.O. Box 4150 (71211) 2281 Old Stevington Rd. Morgan, LA 71250 CEN 343-7565 FAX 330-343-0795		DR: MB WILKERSON	
DATE: 2/4/00				CK: D. RECTOR	
Distributed by		www.aetnoplastics.com		SHEET	COMPUTER FILE
AETNA PLASTICS		800-634-3074		1 OF 1	4002300S A

NOTE: AS SHOWN TANK
 TO HAVE 3" NOM CLEARANCE
 SEE NOTE 3. STAND MAY BE
 EXTENDED ADDITIONAL 12"
 WILL INCREASE OVERALL HEIGHT

NOTE:
 MUST USE FLEXIBLE
 CONNECTIONS ALL
 LOWER SIDEWALL
 FITTINGS