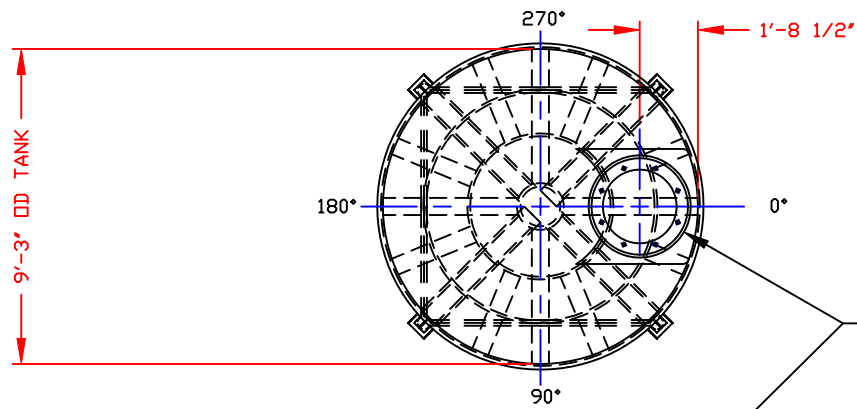
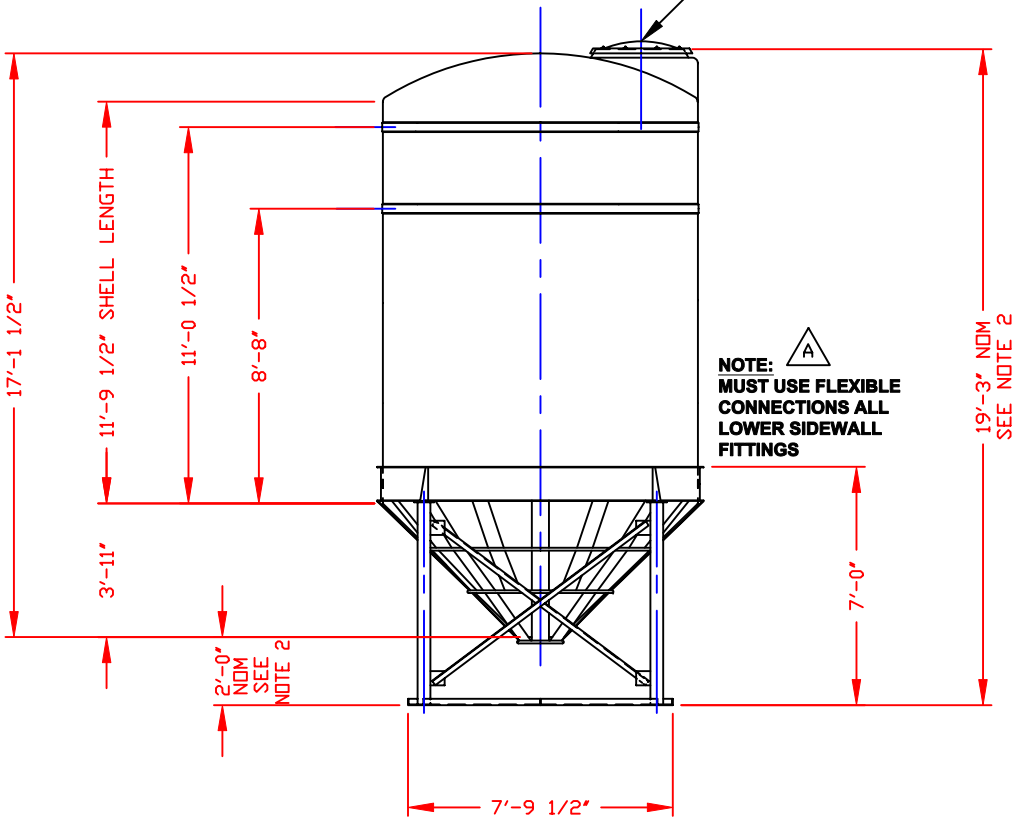


NON-CONTROLLED COPY  
 INFORMATION SUBJECT TO CHANGE WITHOUT NOTICE  
 VERIFY REV LEVEL OF PAPER COPY WITH REV LEVEL ON PPC WEB SITE



NOZZLE SCHEDULE & ACCESSORIES						
SERVICE	MK	STOCK NO.	SIZE	FITTING	DEG	ELEV

STANDARD COVER: 24\"/ (8) BOLT MANWAY COVER/PE (SHOWN)  
 STOCK NO. 3218 OR  
 24\"/STRAPPED MANWAY COVER/PE  
 STOCK NO. 3217  
 (OPTIONAL 24\" COVERS AVAILABLE)



**NOTE:**  
 MUST USE FLEXIBLE CONNECTIONS ALL LOWER SIDEWALL FITTINGS

- NOTES:
1. THIS IS A COMPUTER GENERATED DWG. DO NOT REVISE BY HAND.
  2. DIMENSIONS WILL VARY ±3% DUE TO VARIATIONS IN MULTIPLE MOLDS & CONDITIONS PREVALENT DURING MANUFACTURE & USAGE. WHEN FILLED TANK MAY SETTLE IN STAND CAUSING VARIATIONS IN BOTTOM CLEARANCE & OVERALL HEIGHT DIM.
  3. 5\" WIDE MOLDED IN GALLONAGE MARKERS @ APPROX ±5\". AVOID WHEN PLACING FITTINGS.

CALCULATED CAPACITIES/ VOLUME IN U.S. GALLONS		
DESIGN CAP	DOME VOL	TOTAL VOL
6539	314	6853

CONFIDENTIAL PROPERTY OF  
 POLY PROCESSING COMPANY  
 NOT FOR REPRINT OR USE  
 WITHOUT PERMISSION

DWG TITLE: 6500 45° CONE BOTTOM TANK W/STAND

SCALE: 1/4\"-1'-0\"     **POLY PROCESSING Company**     Central Region  
 P.O. Box 4150 (7121)  
 2201 Old Stevington Rd.  
 Monroeville, LA 71203  
 (504) 343-7565  
 FAX (504) 343-8795

DR: MB WILKERSON  
 CK: D. RECTOR

Distributed by: www.aetnoplastics.com     SHEET: 1 OF 1     COMPUTER FILE: 4006500S     REV: A

**AETNA PLASTICS**     800-634-3074