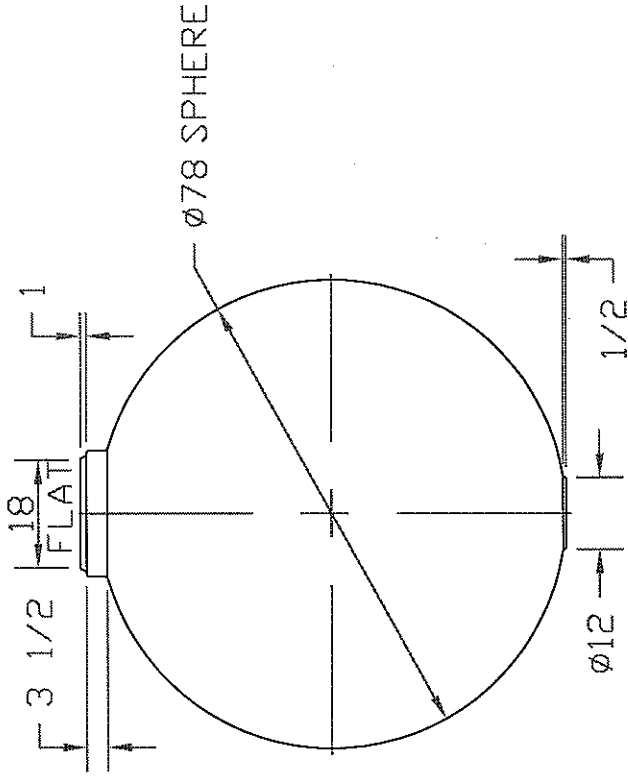
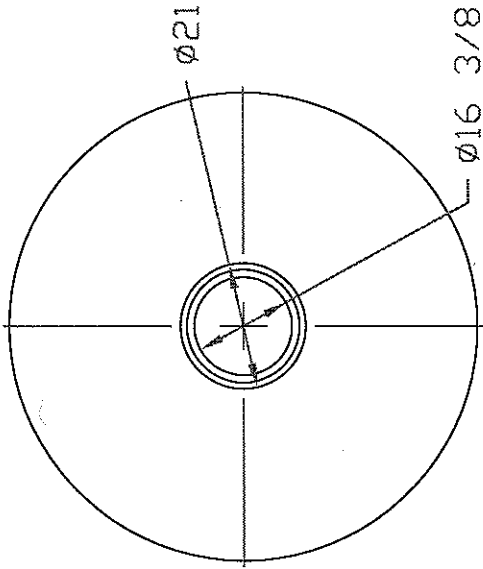


REVISIONS

ZONE	REV	DESCRIPTION	DATE	APPROVED



Distributed by
AETNA PLASTICS
 800-634-3074
 www.aetnaplastics.com



ST. BONIFACIUS, MN
 1000 GALLON
 SPHERICAL TANK

JTP	12MAY00	SIZE	FSCM NO.	DWG NO.	REV
		A			
SCALE 1/32				SHEET	