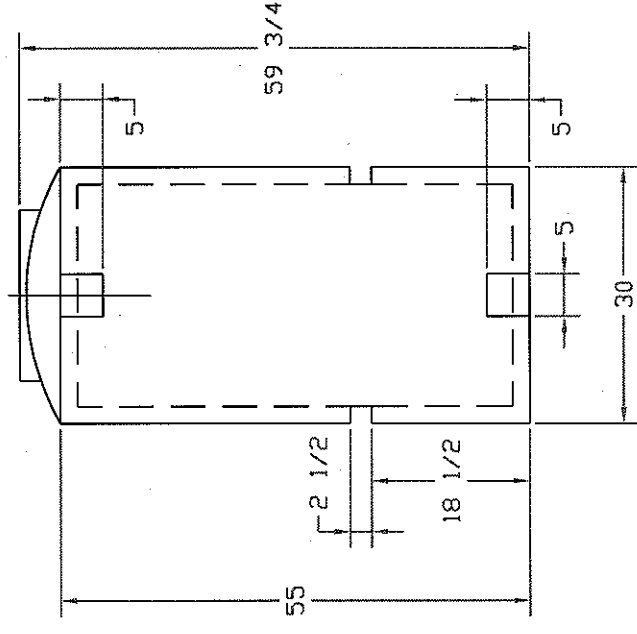
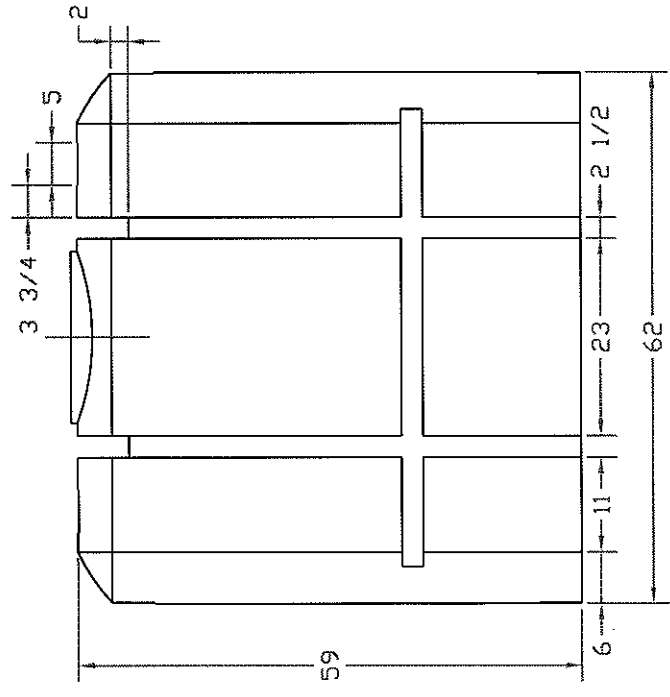
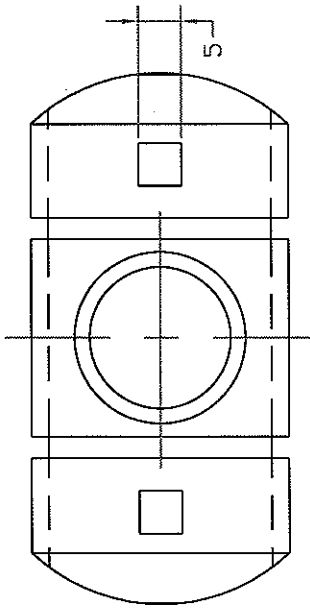


REVISIONS			
ZONE	REV	DESCRIPTION	DATE



Distributed by
AETNA PLASTICS
 800-634-3074
 www.aetnoplastics.com

NORWESCO
 ST. BONIFACIUS, MN
 375 GALLON WATER TANK

JTP	05DEC94	SIZE	FSCM NO.	DWG NO.	REV
		B			
		SCALE	1/16		SHEET 1 OF 2