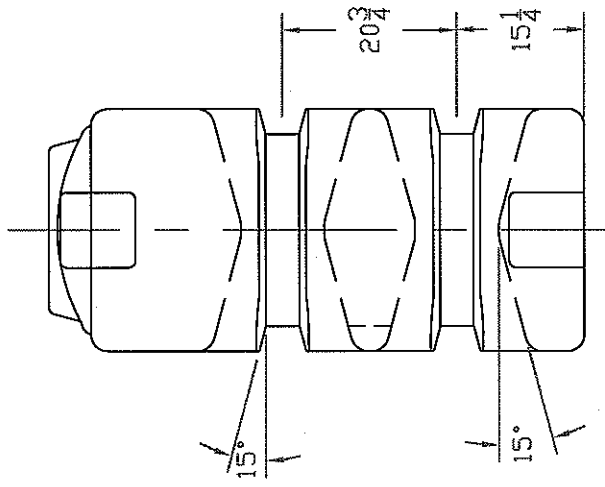
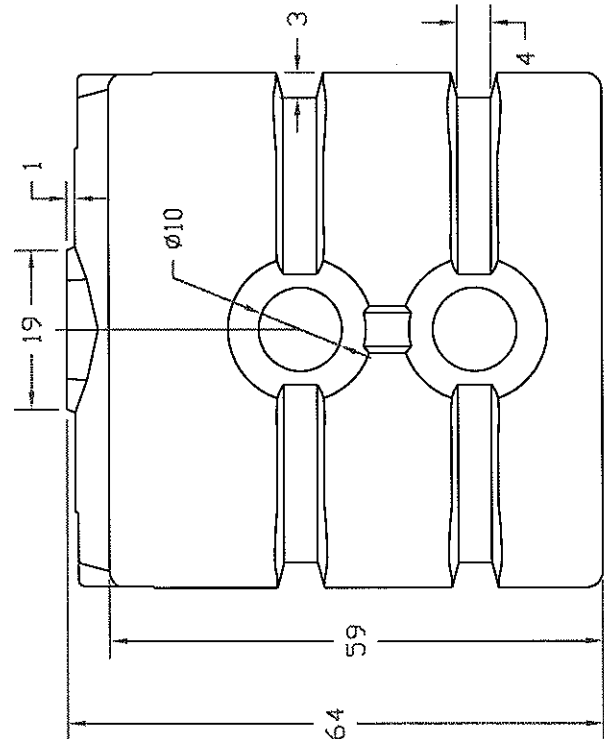
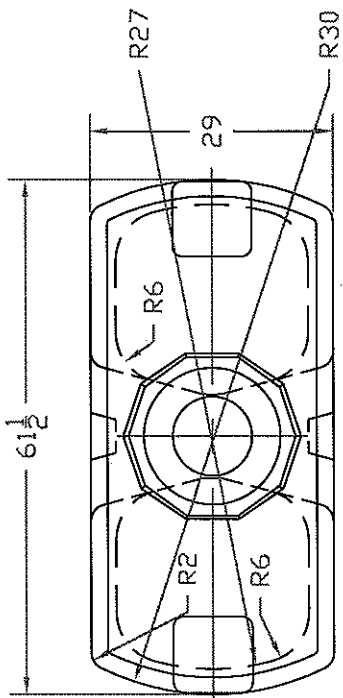


REVISEMENTS		DESCRIPTION	DATE	APPROVED
ZONE	REV			



Distributed by
AETNA PLASTICS
 800-634-3074
 www.aetnoplastics.com

NORWESCO
 ST. BONIFACIUS, MN

**400 GALLON
 FREESTANDING WATER TANK**

SIZE	FSCM NO.	DWG NO.	REV
B			

JTP 13MAR00

SCALE 1/16

SHEET