



FLUOR-O-FLO® XPress  
**PTFE Clamp-Joint Piping System**  
For Drainline & Process Applications



<u>CONTENTS</u>	<u>PAGE</u>
• Pipe .....	2
• Coupling - Clamps .....	2
• P-Traps .....	3
• Elbows - 90° .....	3
• Elbows - 45° .....	4
• Tees - Straight .....	4
• Tees - Reducing .....	5
• Laterals - Straight .....	5
• Laterals - Reducing .....	6
• Caps .....	6
• Concentric Reducers .....	7
• Reducing Coupling - Clamps .....	7
• Adapters - Flange .....	8
• Adapters - NPT .....	8
• Adapters - Tri-Clamp .....	9
• Adapters - Pipe to Hose End (Barbs) .....	9
• Adapters - Tank (Bulkhead Fittings) .....	10
• Sight Flow Tubes .....	10
• Engineering Specifications .....	11

\*Refer to U.S. Patent Number 6,976,712

*All sales are subject to separately published Terms and Conditions of Sale.*

---

Call today for our  
**FLUOR-O-FLO® XPress PTFE**  
**Clamp-Joint Piping System**  
Sales Bulletin and  
Installation Instructions

## Pipe

Nominal Size	Part No. (Note 1)	Minimum OD*	Minimum Wall (Note 2)
1"	XP-TUB08NN	1.315"	0.125"
1-1/2"	XP-TUB12NN	1.900"	0.125"
2"	XP-TUB16NN	2.375"	0.125"

Note 1: For standard 8 foot lengths, replace NN with 96, 16 foot lengths replace NN with 192. For lengths other than standard, replace NN with lengths in inches.

Note 2: FLUOR-O-FLO® XPress PTFE Pipe ODs and Wall Thicknesses given are minimums. In practice, both are typically extruded oversize. For further information, please contact factory.

Unless otherwise noted, fittings or fitting connections have same nominal wall thickness as above.

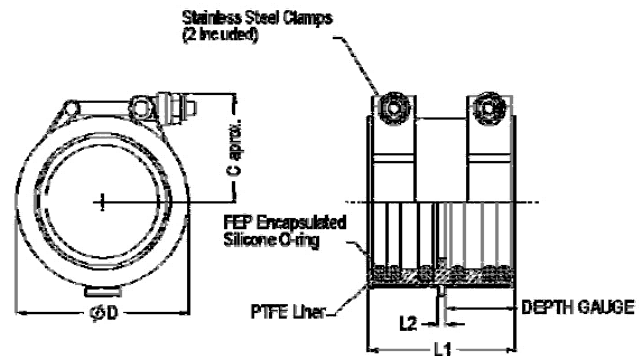


- Standard lengths are 8ft. or 16ft.
- Short lengths and lengths up to 20ft. or more are available upon request.

Product Specifications 2.10-2

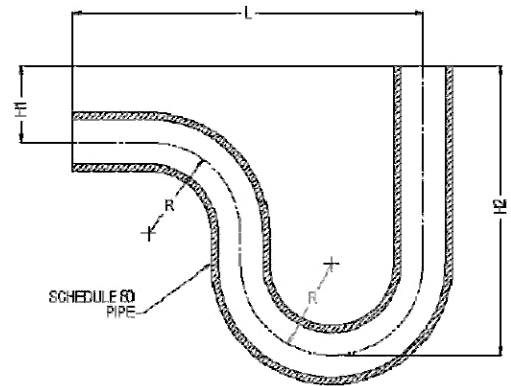
## Coupling - Clamps

Nominal Size	Part No.	OD	L1	L2	C
1"	XP-CC08	1-7/8"	2-5/8"	1/8"	1-1/2"
1-1/2"	XP-CC12	2-1/2"	2-5/8"	1/8"	1-3/4"
2"	XP-CC16	3"	2-5/8"	1/8"	2"



## P - Traps

Nominal Size	Part No.	L	H1	H2	R
1-1/2"	XP-PT12	11-1/2"	2-1/2"	9-1/2"	3"
2"	XP-PT16	15"	3"	12"	4"



Product Specifications 2.10-2

## Elbows - 90°

Nominal Size	Part No.	L	H	R
1"	XP-90E08	3-1/2"	3-1/2"	2"
1-1/2"	XP-90E12	4-1/4"	4-1/4"	3"
2"	XP-90E16	5-1/2"	5-1/2"	4"

