



PMS Series Spring Return Pneumatic Actuators

FOR BALL VALVES UP TO 2"

KEY FEATURES

- Air to Spring Fail-Safe Operation
- Corrosion-Resistant Thermoplastic Housing
- Permanently Lubricated Gear Train
- Manual Override
- Two-Piston Rack and Pinion Design
- Namur-Style Mounting
- Position Indicator
- Lightweight
- ISO 5211 Mounting Base

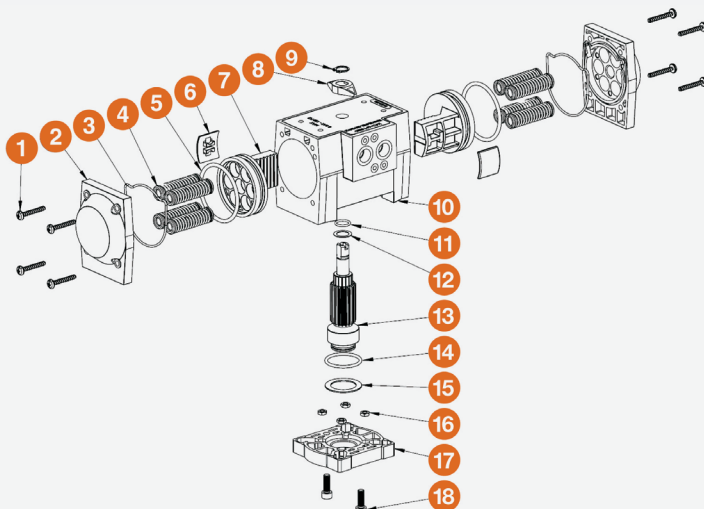
OPTIONS

- Solenoid Valves with Optional Voltages
- Auxiliary Limit Switch
- Cycle Speed Controls
- Positioners

ACTUATION AND CONTROLS

TECHNICAL INFORMATION

EXPLODED VIEW



SPECIFICATIONS

HOUSING	Polyamide
OUTPUT SHAFT	Carbon Steel, Nickel Plated
MINIMUM AIR PRESSURE	80 PSI
MAXIMUM AIR PRESSURE	120 PSI
SEALS	Nitrile
CYCLE TIME	Half Second, Typical
AIR PORT CONNECTIONS	1/4" NPT

