



## T Series Vertical Seal-Less Immersible Pumps

1/3, 1/2, 3/4, 1 AND 1-1/2 HP

### KEY FEATURES

- Available in CPVC, GFPP and PVDF
- Single, Non-Coupled Motor Shaft 303 SS
- Proprietary, Patent Pending PTFE Shaft Seal
- Extended Shaft Sleeve
- Solid, Stable One-Piece Shaft
- Seal Point Away from Weep Hole
- Less Vibration
- Runs True

### OPTIONS

- Optional Inlet Screen
- In-Tank Filtration
- Impeller Trim Variations
- Explosion-Proof Motors
- Wash-Down Motors
- 575V Motors

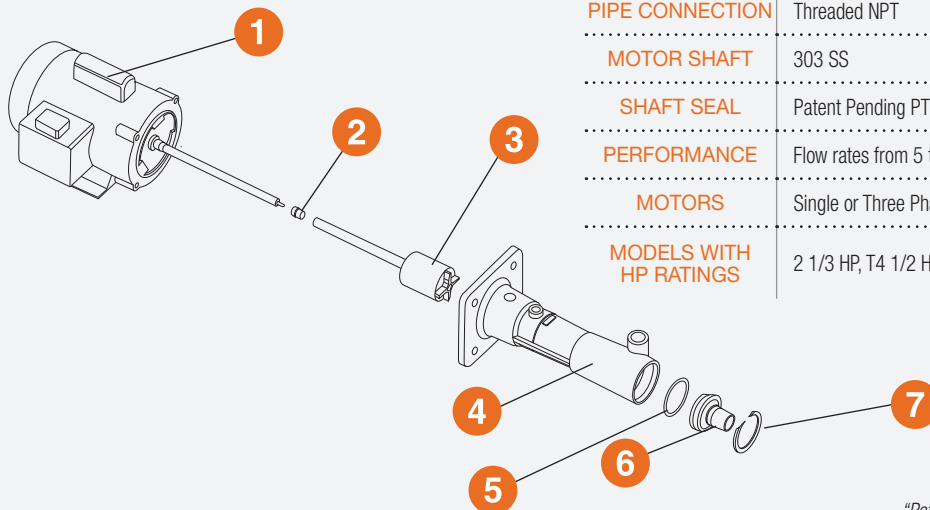
### MATERIALS

- CPVC Cell Class 23447 per ASTM D1784
- GFPP Cell Class 85580 per ASTM D4101
- PVDF

CORROSION RESISTANT PUMPS

## TECHNICAL INFORMATION

### EXPLODED VIEW



### SPECIFICATIONS

PUMP HEAD	CPVC, GFPP or PVDF Construction
PIPE CONNECTION	Threaded NPT
MOTOR SHAFT	303 SS
SHAFT SEAL	Patent Pending PTFE Shaft Seal
PERFORMANCE	Flow rates from 5 to 80 GPM with TDH's up to 45 feet
MOTORS	Single or Three Phase Motors
MODELS WITH HP RATINGS	2 1/3 HP, T4 1/2 HP, T5 3/4 HP, T6 1 HP, T7 1 HP and T8 1-1/2 HP

"Patented & Other Patents Pending" Pat. N.: 9,695,947

