

# Flow Meter for Dosing + Continuous Flow

## Operating Manual



Read the user's manual carefully before starting to use the unit or software.  
Producer reserves the right to implement changes without prior notice.

## Table of Contents

<b>General safety instructions</b> .....	01
<b>1. Planning information</b> .....	02
1.1 Areas of application .....	02
1.2 Measuring principle .....	02
1.3 Operational safety .....	03
<b>2. Assambly and installation</b> .....	03
2.1 Installation instructions .....	03
2.2 Assembly of the flowmeter .....	04
2.3 Electrical wiring .....	07
<b>3. Commissioning</b> .....	09
3.1 Operation .....	09
3.2 Functionalities of flowmeter and default settings .....	10
3.3 Overview of default settings .....	18
3.4 General Information .....	18
<b>4. Exchange of measuring device</b> .....	19
<b>5. Technical specifications</b> .....	20
5.1 Dimensions and weight .....	20
5.2 Technical specifications .....	21
<b>6. Accessories</b> .....	20
<b>7. Shipment</b> .....	21

## Table of Figures

<b>Fig. 1: Presentation of the principle of ultrasonic flow measuring</b> .....	02
<b>Fig. 2: Installation position of Flowmeter</b> .....	03
<b>Fig. 3: Mounting examples for UltraFlo</b> .....	05
<b>Fig. 4: Mounting possibilities</b> .....	05
<b>Fig. 5: Mounting the UltraFlo</b> .....	06
<b>Fig. 6: UltraFlo with hot liquids</b> .....	06
<b>Fig. 7: Pin code: Connection plug / socket for 5-pin version</b> .....	07
<b>Fig. 8: Pin code: Connection plug / socket</b> .....	08
<b>Fig. 9: Operating with the key pad</b> .....	10
<b>Fig. 10: Menu organization for 5-pin version</b> .....	11
<b>Fig. 11: Menu organization for 8-pin version</b> .....	12
<b>Fig. 12: Function of the creeping suppression illustrated with 0.6 l/min</b> .....	14
<b>Fig. 13: Connecting Output Q1 to relay</b> .....	16

# ULTRAFLO 4000

## Multi-Function Ultrasonic Flow Meter

### General Safety Instructions

Please always observe the following safety instructions!

Please pay attention to the safety instructions with the following pictograms and signal words in these operating instructions :



**IMPORTANT!** indicates situations or cases which, if not avoided, could result in damage or failure of the UltraFlo 4000 equipment.



**WARNING!** indicates general hazardous situations or cases which, if not avoided, could result in serious injury or death.

**NOTICE** Is used to lead users to helpful information not related to personal injury.

### INTENDED USE :

- The flow meter UltraFlo 4000 should only be used for measuring the flow of pure, homogeneous liquids.
- The UltraFlo 4000 is not intended for use in medical applications.
- The volume flow meter UltraFlo 4000 is built in accordance with industry standard EN 61010 regulations (corresponds to VDE 0411 “Safety specifications for electrical measurement, control and laboratory devices”).
- The manufacturer is not liable for any injury, damage or harm due to inappropriate or unintended use or modifications of the flow meter. Conversions and/or changes to the flow meter may only be made, if they are expressly performed in accordance with the operating instructions in this operating manual.

### Personnel for Installation, Commissioning and Operation



- Assembly, electrical installation, commissioning and maintenance of the flow meter must be carried out by qualified, trained personnel. The qualified personnel must have read and understood the operating instructions in this operating manual and must follow the operating instructions in this manual.
- The installer has to ensure that the flow meter is correctly connected according to the electrical connection diagrams in this operating manual.
- Serious injury or death from electric shock may occur if wiring, installation, disassembly or removal of wires is performed while electrical power is energized

### Technological Progress

The manufacturer reserves the right to revise, alter, or modify the flow meter to the most current technology without special prior notice. Further information about the latest updates and potential additions to these operating instructions are available from Truflo.

# 1. Planning Information

## 1.1 Areas of application

The flow measurement device in the UltraFlo designed to measure dynamic flow in pipes and tubes. This flow meter is suitable for liquids only. The UltraFlo can be used for the following:

- Chemicals supply for controlling, logistics, monitoring
- Filling machines in food industries
- Cooling systems, logistics, monitoring
- Process equipment for control and monitoring of formulas
- Valve control for continuous release of liquid volumes
 "Supply with de-ionized water"
 

### UltraFlo has the following features and benefits:

- No movable parts, therefore no wear
- High repeatability
- Easy to clean
- Safe operation
- Compact design
- Integrated detection of empty conduits
- Integrated dosing function with pre-set and adjustable amounts
- Chemical resistant
- Integrated display with keypad

## 1.2 Measuring principle

The ultrasonic flow measurement is based on the phase-difference approach:

Two ultrasonic-sensors located opposite from each other alternatively transmitting and receiving ultrasonic signals. If there is no liquid flow both sensors receive the transmitted ultrasonic signals in the same phase, i.e. without phase difference. If liquid is flowing there is a phase shift. It differs when measured in direction of the flow than when measured against the direction of the flow. This phase difference is directly proportional to the flow rate.

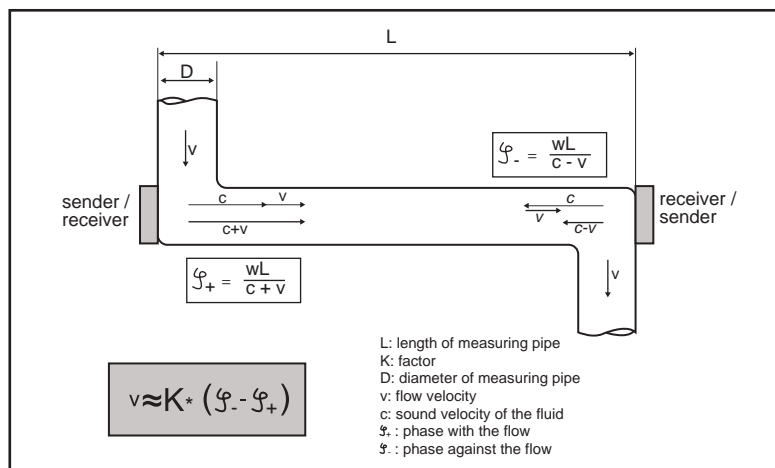


Fig. 1: Presentation of the principle of ultrasonic flow measuring

# ULTRAFLO 4000

## Multi-Function Ultrasonic Flow Meter

### 1.3 Operational safety

Comprehensive self-tests ensure highest possible safety.

The protection class is IP 67.

UltraFlo meets the general EMC immunity requirements according to CE, EN 50081-2, and EN 50082-2.

UltraFlo meets the safety requirements according to EN 60601-1 concerning the low voltage directive.

## 2. Assembly and Installation

### 2.1 Installation instructions

**NOTICE** The housing of UltraFlo is labeled with an arrow symbolizing the direction of the flow measurement. The flow meter has to be installed in a way so that the flowthrough is in the same direction as the arrow symbol.

The housing of Flowmeter is labeled with an arrow symbolizing the direction of the flow. The flowmeter must be installed in direction of the flow.

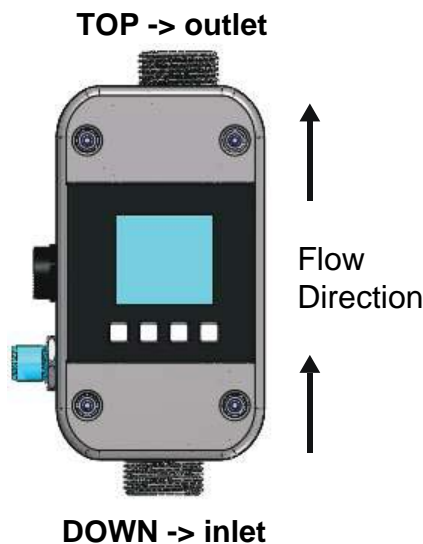


Fig. 2: Installation position of Flowmeter

**NOTICE** For fastest possible bubble detection it is important to keep the pipe distance to UltraFlo as short as possible. Accurate measurement can only be assured, if the pipe is completely filled and the liquid does not outgas. Notwithstanding it may be advantageous for dosing applications to install the UltraFlo as close as possible to the dosing equipment. Particles present in the flow stream may result in measuring errors.

# ULTRAFLO 4000

## Multi-Function Ultrasonic Flow Meter

When using pumps, UltraFlo must be installed in flow direction on the pressure side, on order to ensure sufficient pressure.



**Do not exceed the maximum pressure allowance for of the UltraFlo (see section 5.2 Technical specifications). Exceed the maximum pressure or the maximum torque can lead to destruction or rupture of the UltraFlo.**

For correct volume flow measurements straight and unobstructed inflow and outflow distances have to be observed. Starting from the connection thread these straight and unobstructed flow zones must be:

Nominal Diameter	DN10 3/8"	DN15 1/2"	DN20 3/4"	DN25 1"
Inflow Distance	10cm 3,94"	30cm 11,81"	40cm 15,75"	40cm 15,75"
Outflow Distance	0 cm 0.0"	0 cm 0.0"	20 cm 7.9"	20 cm 7.9"



Always make sure that the maximum torque of the nuts for the hydraulic connections is not exceeded. Use the delivered seals and the maximum torque depending on the diameter:

Nominal Diameter	DN10 3/8"	DN15 1/2"	DN20 3/4"	DN25 1"
Inflow Distance	2Nm 1.5 ft-lbs	3Nm 2.2 ft-lbs	4Nm 3.0 ft-lbs	6Nm 4.4 ft-lbs



Due to the material characteristics of PSU UltraFlo has a limited resistance against UV rays.

## 2.2 Assembly of the flow meter

### NOTICE

The flow meter is mounted into a pipe system by using the mechanical connection. UltraFlo should be mounted vertically into the pipe for the best measuring performance. Do not install the flow meter after a dosing valve where the flow meter can run empty. Placing the flow meter after a dosing valve and allowing it to run empty will cause a measuring deviation at the next measurement. To avoid bubbles in the liquid, UltraFlo should be installed on the pressure side of the pump.

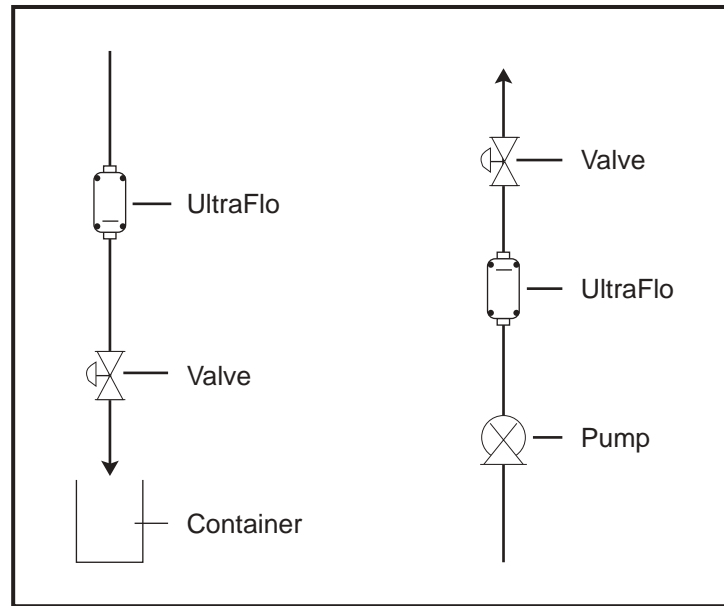


Fig. 3: Mounting examples for UltraFlo

If it is not possible to mount the flow meter vertically, then mount the instrument in a location where the pipe will be filled at all times. The best measuring result is achieved if bubbles do not pass through UltraFlo.

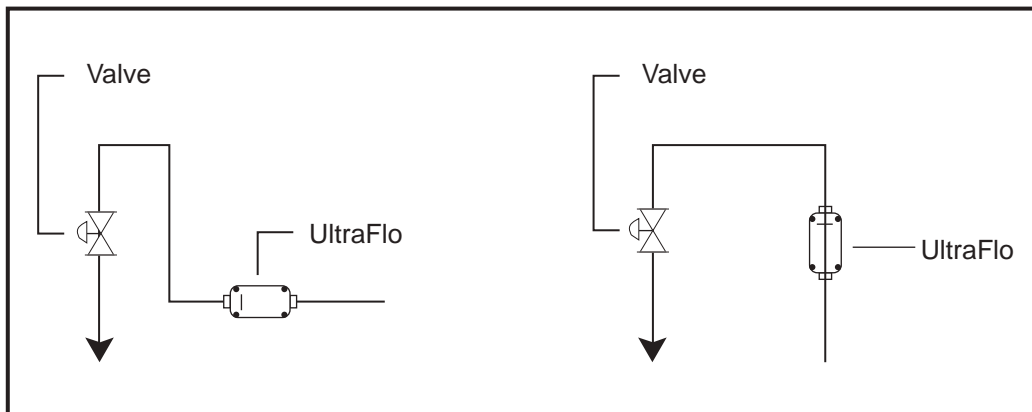


Fig. 4: Mounting possibilities

For applications with a “clean design“ for which it is necessary to completely drain the pipe system, we recommend mounting the flow meter in the vertical position. Residual liquid may remain inside the device if flow meter is mounted horizontally.

Vibrations or mechanical forces may decrease measuring accuracy. Mounting the flow meter using two clamps will reduce vibrations or movements. Use the clamps as seen in the figure below at the inlet and outlet connections of UltraFlo.

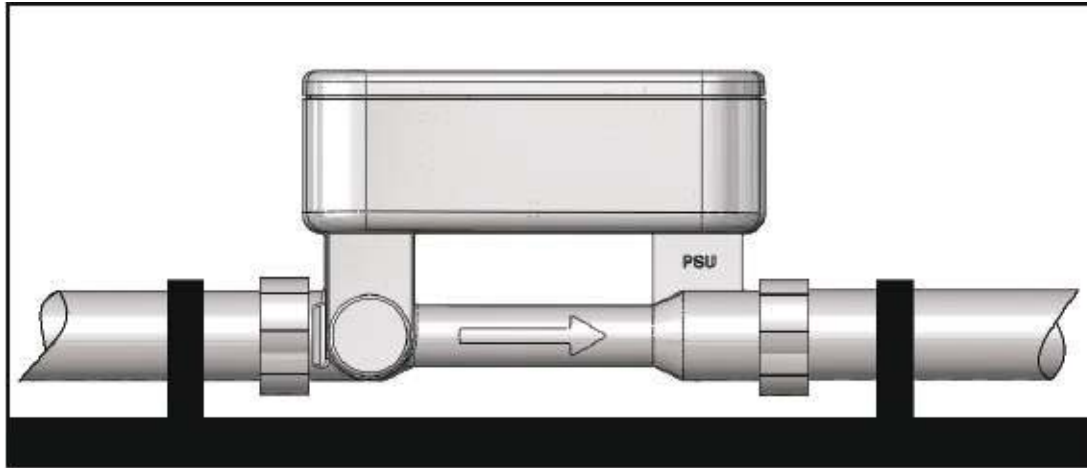


Fig. 5: Mounting the UltraFlo

UltraFlo must be installed without mechanical tensions on the existing pipe system. The flow meter may be damaged if there is tension on the existing pipe system. Set the axial channel offset to 5mm when mounting the flow meter (For details see section 5.1 Dimensions and weight on page 22 / latter F).



**Non-compliance of the installation instructions may result in tearing of the housing, liquid may leak out.**

### Applications with hot liquids:



If UltraFlo is used in applications with liquid temperatures hotter than 60°C and mounted horizontally then the flow meter should be mounted with the electronic housing on the underside to reduce exposure to rising heat. If UltraFlo is mounted vertically, heat damage is not an issue.

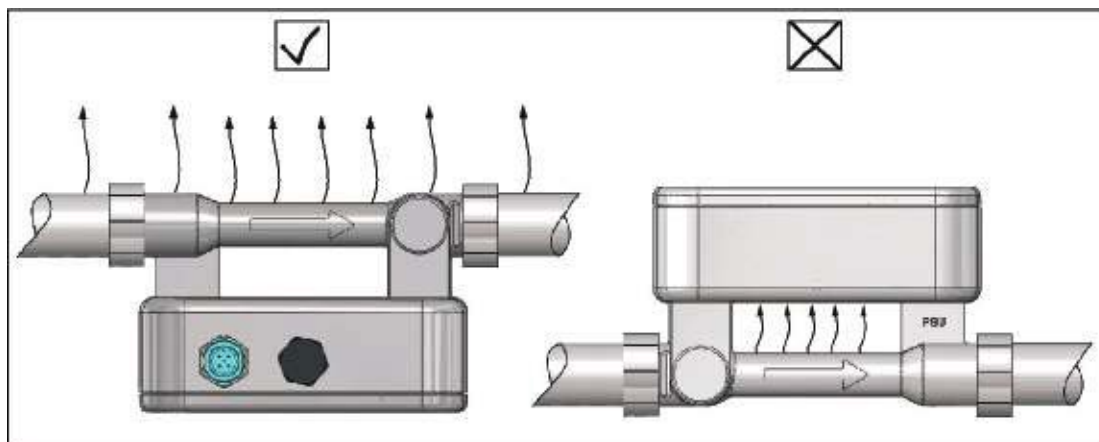


Fig. 6: UltraFlo with hot liquids



### 2.3 Electrical Wiring

Serious injury or death from electric shock may occur if wiring, installation, disassembly or remove of wires is performed while electrical power is energized.



Always shut off or disconnect electrical power at service panel and lock switch or breaker and tag to prevent energizing electrical power during work or while Flowmeter is not assembled and installed.

Wiring installation, disassembly and removal must be performed by qualified persons experienced and knowledgeable about electrical work.

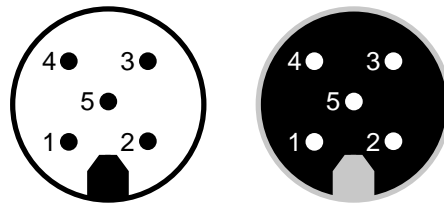


Fig. 7: Pin code: Connection plug / socket for 5-pin version

**Connector cable pin configuration defined by manufacturer**  
**The outlets may be re-programmed for specific applications**

Pin	Function	Description
1	L+	Power supply: 18...30 VDC
2	Pulse output O1 alternative:  1. Empty-pipe output 2. Dosing output 3. Upper or Lower Limit output 4. Negative flow	Digital Output Q1 Freely adjustable ranging from 0.1 to 3000 ml/pulse in 0.1 ml/pulse steps, npn-Transistor, max. load 30V/100mA. Max. Voltage must be less than the supply voltage. Configurable output of 0V or 24V when pipe is empty. Configurable output of 0V or 24V Configurable output of 0V or 24V when reaching upper or lower limit Configurable output of 0V or 24V when liquid flows in negative direction
3	GND	Ground : 0 V
4	Communication	Communication interface
5	Analog output QA	4....20mA ; 0....20mA Example: 0L/min => 4mA 60L/min => 20mA Empty pipe Alert => 3.5mA (4-20mA depending on the configured limits)

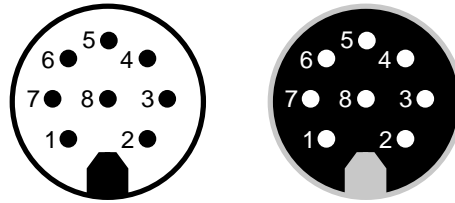


Fig. 8: Pin code: Connection plug / socket

**Connector cable pin configuration defined by manufacturer**  
**The outlets may be re-programmed for specific applications.**

Pin	Function	Description
1	L+	Power supply: 18...30 VDC
2	Pulse output O1 alternative:  1. Empty-pipe output 2. Dosing output 3. Upper or Lower Limit output 4. Negative flow	Digital Output Q1 Freely adjustable ranging from 0.1 to 3000 ml/pulse in 0.1 ml/pulse steps, npn-Transistor, max. load 30V/100mA. Max. Voltage must be less than the supply voltage. Configurable output of 0V or 24V when pipe is empty. Configurable output of 0V or 24V Configurable output of 0V or 24V when reaching upper or lower limit Configurable output of 0V or 24V when liquid flows in negative direction
3	GND	Ground : 0 V
4	Digital output Q2 Functions:  1. Empty pipe output 2. Dosing output 3. Pulse output 4. Upper or Lower Limit output 5. Negative flow	Digital output Q2 Configurable npn- or pnp-Transistor, max. Load 30V/100mA. Max. Voltage must be less than the supply voltage. Configurable output of 0V or 24V when pipe is empty. Configurable output of 0V or 24V Freely adjustable ranging from 0.1 to 3000 ml/pulse in 0.1 ml/pulse steps. Configurable output of 0V or 24V when flow reaches upper or lower limit. Configurable output of 0V or 24V when liquid flows in
5	Analog Output QA	4...20mA ; 0...20mA Example: 0L/min => 4mA 60L/min => 20mA Empty pipe Alert => 3.5mA (4-20mA depending on the configured limits)
6	Communication	Communication Interface
7	Digital input I1 1. Dosing output 2. Set offset 3. Reset counter 4. Creeping flow off	Digital input I1 Starts the dosage by a rising edge of 24V. The Offset is set by a rising edge of 24V. Reset of the counter by a rising edge of 24V. Creeping suppression is deactivated as long as there are 24V at the input.
8	Shielding	EMC safety

# ULTRAFLO 4000

## Multi-Function Ultrasonic Flow Meter



**Attention: Only operate the flow meter UltraFlo within the operating limits stipulated on the product label and the operating manual / data sheet. Use of the UltraFlo outside these conditions will lead to overloads which cause permanent damage.**

### 3. Commissioning

#### NOTICE

**NOTE :** While commissioning run the Basic Trim (SoftFlo medium) when is filled. Repeat this action until amplifier stage and receiving amplitude reach a steady value.

#### 3.1 Operation

If SoftFlo is used as a volume flow meter for water or water-like liquids it will not require on-site calibration. Parameters for water are calibrated at the factory. The UltraFlo may also be ordered with customized settings, but customized settings must be requested when SoftFlo is ordered.

#### NOTICE

**NOTE :** If necessary, e.g. if viscosity and/or speed of sound deviate significantly from water, the pre-set parameters can be adjusted with the help of the hardware interface and the SoftFlo service software. It is always necessary to adjust the manufacturer pre-set parameters when using the SoftFlo as a dosing device according to section 3.2 Dosing function on page 19. Adjusting the manufacturer pre-set parameters requires a display or the "USB Converter 2".

***The following parameters may be changed to settings suitable for the individual conditions: for 5-pin version***

- Digital output Q1, function and behavior
- Analog output QA, function and behavior
- Flow range, for which shall apply 4...20 mA
- Pulse value
- Creeping suppression
- Optimization of measurement curve with up to 8 interpolation values (medium matrix)

***The following parameters may be changed to settings suitable for the individual conditions: for 8-pin version***

- Digital output Q1, function and behavior
- Digital output Q2, function and behavior
- Digital input I1, function and behavior
- Analog output QA, function and behavior
- Flow range, for which shall apply 4...20 mA
- Pulse value
- Creeping suppression
- Optimization of measurement curve with up to 8 interpolation values (medium matrix)

*Also reference the SoftFlo operating instructions*

### 3.2 Functionalities of flow meter and default settings

Flowmeter is equipped with a display to visualize actual measurement values and to change parameters of the flow meter. Menu navigation and parameter changes are controlled by the four keys on the keypad.

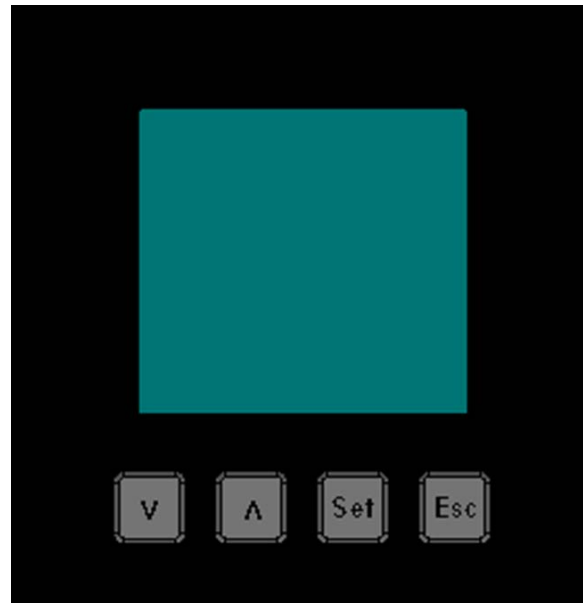


Fig. 9: Operating with the key pad

Press the "Set" key to display the main menu. Different menu options can be selected by using the two arrow keys.

To enter e.g. analog limits "Analog output - Upper limit" use the arrow keys to change values and press "Set" to confirm. To switch back to the last menu level press the "Esc" key. As soon as the operator tries to change values the user will be prompted to enter a password. Password protection is used to ensure changes to values or configurations are done by authorized personnel. The default password for Flowmeter is **41414**. The password can be changed with Programmtool. The user level will remain active for 5 minutes after the last press on any button.



**The Password should only be shared with personnel authorized to make changes to setting.**

NOTICE

**NOTE :** Always the first parameter of the menu appears in the display. This need not be the adjusted enabled parameter. The enabled parameter appears inverted and possibly visible by scrolling.

NOTICE

**NOTE :** Functions marked with asterisk (\*) are only available for the Flowmeter 8-pin version. Flowmeter without user display supports the same functions as the display-version. The display and programming unit Programmtool is needed to change configurations of Flowmeter without user display.

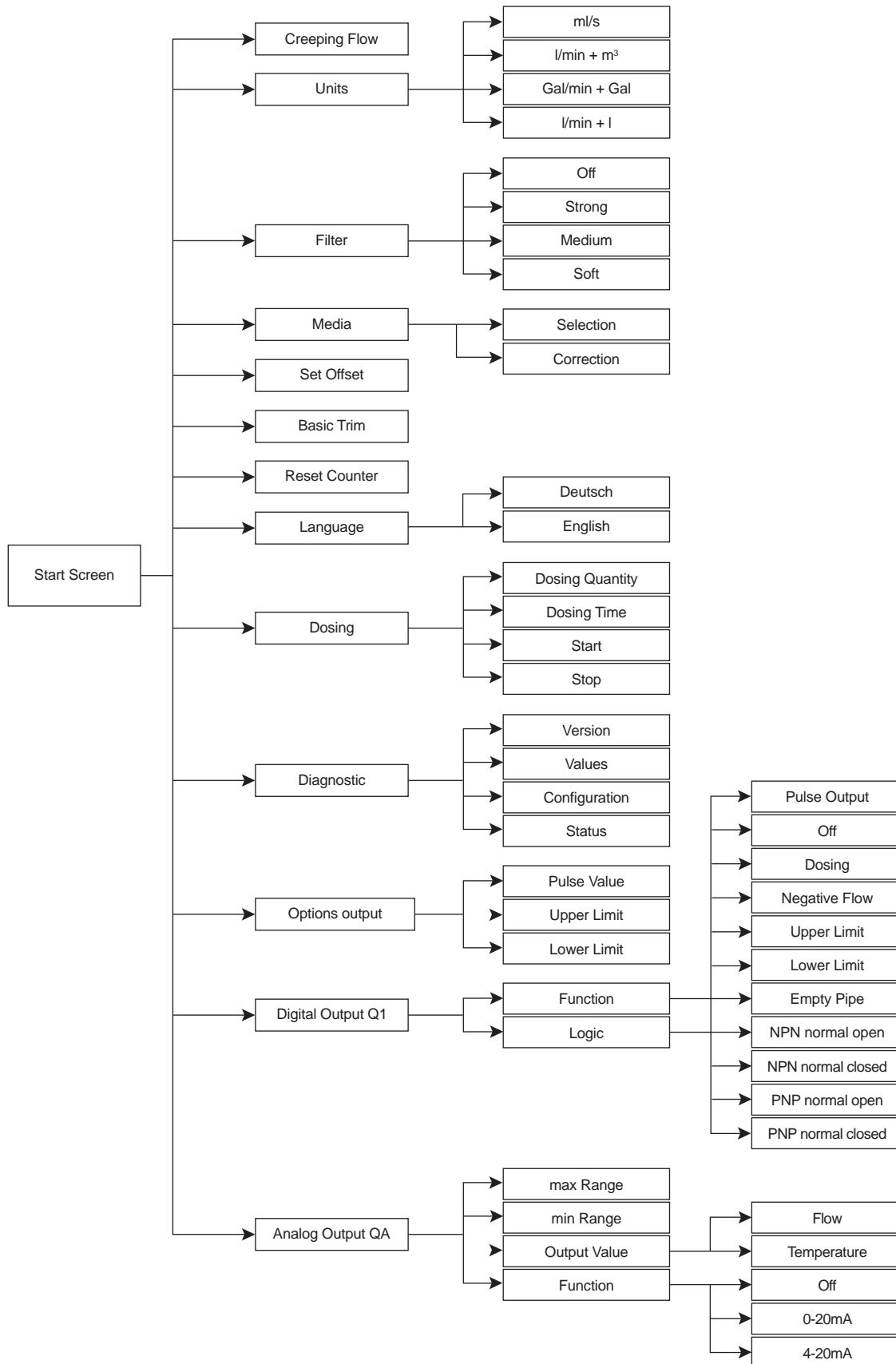


Fig. 10: Menu organization for 5-pin version

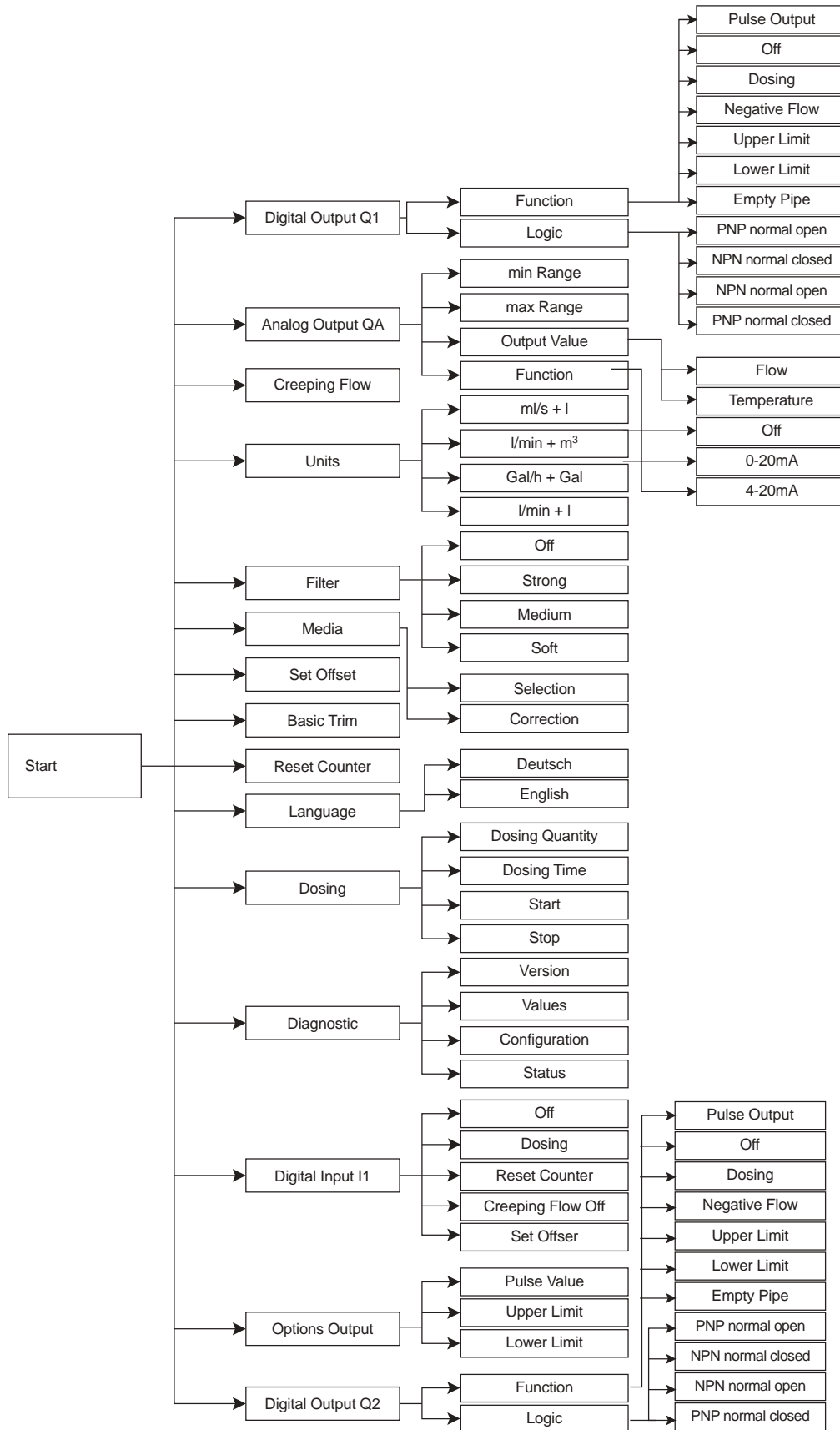


Fig. 11: Menu organization for 8-pin version

# ULTRAFLO 4000

## Multi-Function Ultrasonic Flow Meter

### **Set Offset**

In the sub menu “Set Offset” it is possible to set the actual offset of the flow meter. Use this function only when UltraFlo is completely filled with liquid, and there is no flow. If the offset is set while flow is present or when the pipe is empty it will cause an offset drift what results in a faulty measurement.

A small offset change, e.g. caused by variable temperatures, is automatically done by the flow meter. It is also possible to set the offset via the configurable digital inputs.

### **Language**

The language of the display can be changed. Available languages are English and German.

### **Filter**

The function “Filter“ averages the analog output signal. Possible settings: Soft, Medium, Strong, Off. The analog output signal reacts faster to signal changes when average determination is set to “soft”. Whereas the analog output signal reacts slower when average determination is set to “strong”.

### **Units**

UltraFlo is able to show actual flow or the volume in different units. Following units can be selected: ml/s + l , Gal/min +Gal , l/min + l , l/min + m<sup>3</sup>.

The first letters correspond to the unit of the flow value. The letters after the + correspond to the unit of the volume value.

### **Reset Counter**

The volume counter of UltraFlo can be reset. Note, once reset, counter values cannot be restored. After a reset the counter works normally.

### **Basic Trim**

The “Basic Trim” function insures that the flow meter is conforming to the media specific characteristics. To execute this function, UltraFlo runs a selfdiagnostic function which optimizes all important parameters. This process lasts approximately 1 minute.

**NOTICE** To make sure the basic trim is correctly done, the flow meter has to be filled with liquid without a flow.

When there is an error detected while performing the basic trim function, the display shows “Error”. After successfully finishing the basic trim function, the display will show “Done”.

### Creeping suppression

The creeping suppression excludes flow measurements that result from convection in a narrow band around zero, even with a closed valve. At the factory, the creeping suppression is set at a standard value in relation to the cross-section of the flow meter. Changes to a smaller value of the parameter may cause an offset drift what results in a faulty measurement.

There are higher tolerances below the standard default settings, see also section 5.2 measurement errors!

- Setting range : 0.0...20 l/min, in 0.006 l/min steps
- Default settings : 0.3 l/min for DN10
- 0.9 l/min for DN15
- 3.5 l/min for DN20
- 5.0 l/min for DN25

**The creeping suppression works with a hysteresis of - 25%.**

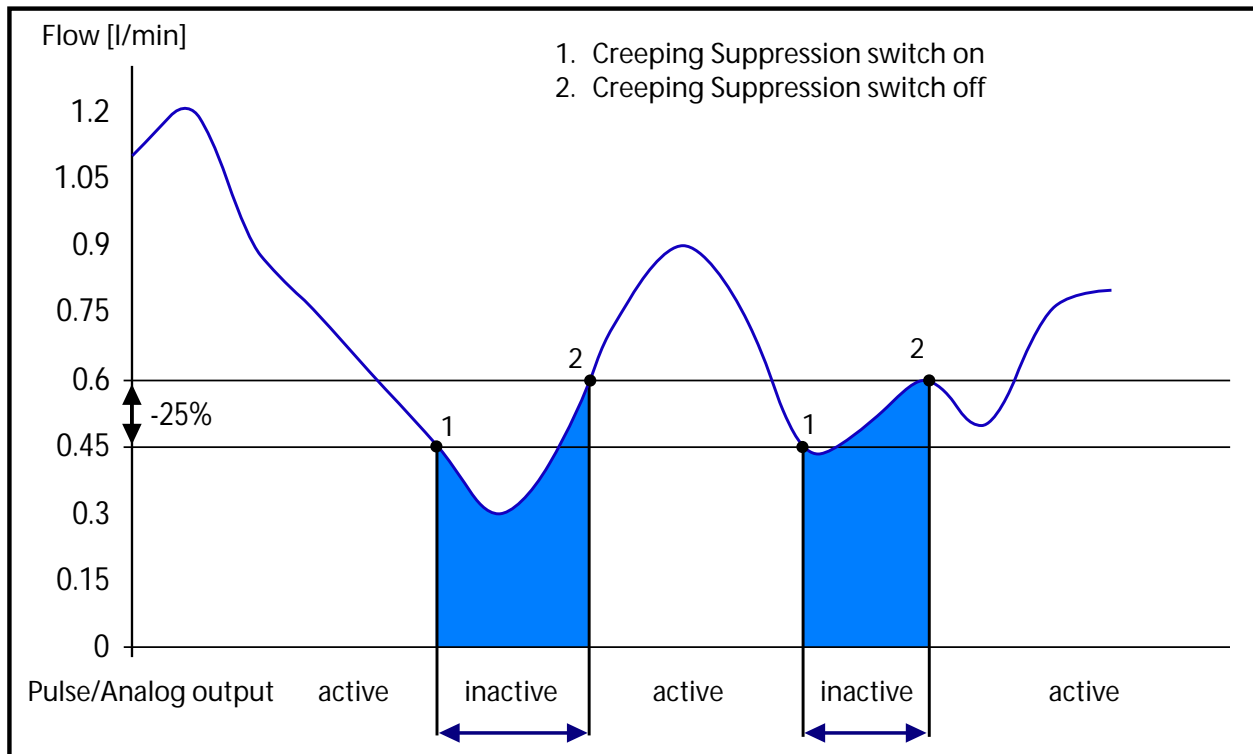


Fig. 12: Function of the creeping suppression illustrated with 0.6 l/min

**Example :** Creeping suppression = 0.6 l/min

If the flow rate is lower than 0.45 l/min the pulse output/analog output becomes inactive. If the flow rate exceeds 0.6 l/min a pulse is output again and added to the totalizer. Similarly, a value is transmitted to the analog output again.



# ULTRAFLO 4000

## Multi-Function Ultrasonic Flow Meter

### **Diagnostic**

**NOTICE** The sub menu "Diagnostic" shows the software/hardware version and other helpful values for analysis. Actual values and the instrument's present status are important to analyze the measurement or failure by the manufacturer service

### **Analog output QA**

The analog output is available as current output 4-20mA or 0-20mA. This is selected with the purchase order. As a standard it comes with current output 4- 20mA. It can also be switched off by using the device menu or SoftFlo operating software.

The current output ranges from 0 to 22.6mA measuring the flow rate or the condition of the flow measurement.

### **The values here signify for 4-20mA configuration:**

- 20 mA the upper limit of the relevant measurement
- 4 mA the lower limit of the relevant measurement
- 3.5 mA empty pipe

Upper and lower limit parameters can be set within the type-specific measurement of the device. By default, zero flow is set at 4 mA and the maximum flow is set at 20 mA.

Set point ranges : 0-20mA, 4-20mA, off

Output value : Flow, Temperature



When current output is used, the load must not be higher than 500Ohm. A higher load prevents the device from providing the maximum current of 22.6mA.

### **Pulse value**

The pulse value determines the flow volumes for which an output pulse will be emitted. Choose a configuration which will neither exceed the maximum output frequency of the UltraFlo (10kHz) nor the maximum input frequency of the control. If the maximum frequency is exceeded the UltraFlo will not output pulses correctly.

This means : a pulse is emitted every 2.0 ml.

Setting range : 0.1...3000.0 ml/Pulse, in 0.1 ml/Pulse steps

Default setting : 1.0 ml/Pulse

### Dosing

The UltraFlo can be configured for manually dosing by choosing the dosing function via the user display. The Volume “Dosing Batch“ and the “Dosing Time“ are freely adjustable. When the “Dosing Time“ is set to zero, the timer control is inactive. A dosage can be started and stopped with the menu function keys “Start“ and “Stop“.

Setting range “Dosing Batch”	: 0 – 3500 Liters
Setting range “Dosing Time”	: 0 –30000 Seconds
Default setting “Dosing Batch”	: 0 Liters
Default setting “Dosing Time”	: 3 Seconds

### ■ Digital output Q1

Digital output Q1 may be used as pulse output, empty pipe detection, for switching dosing valve or limit control. By using Programmtool the user can switch between npn and pnp-transistor logic. In case of inductive load a diode has to be connected parallel to the coil.

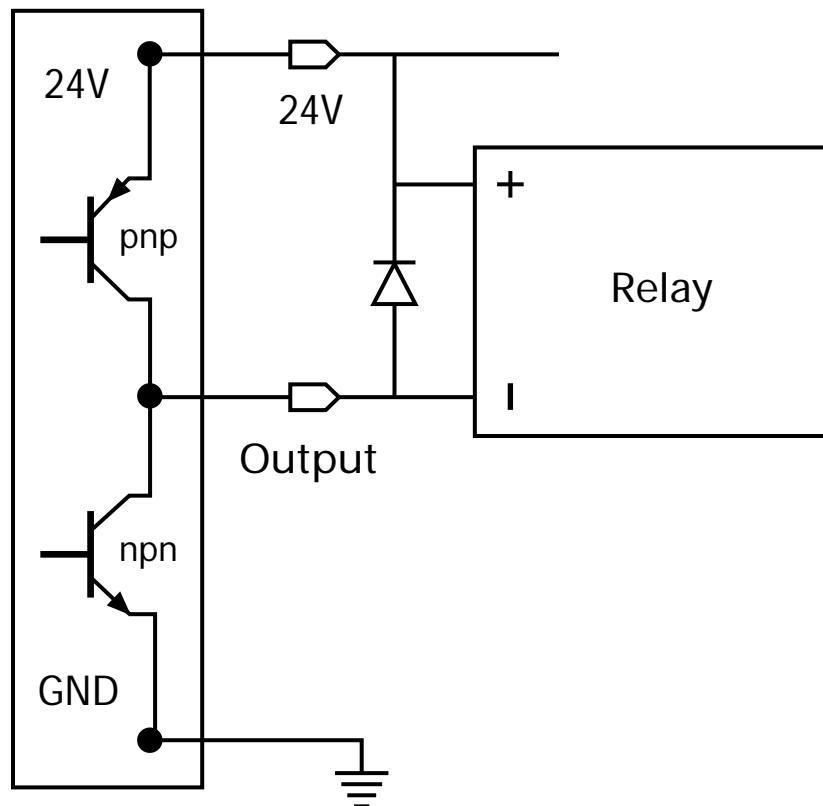


Fig. 13: Connecting Output Q1 to relay

**Setting area** : off, pulse output, empty pipe, dosing output, lower limit, upper limit, negative flow

# ULTRAFLO 4000

## Multi-Function Ultrasonic Flow Meter

### ■ Digital output Q2 \*

Digital output Q2 may be used as pulse output, empty pipe detection, for switching dosing valve, limit control or flow direction control. See chapter 2.3 table connection plug 8-pins.

The npn or pnp logic can be selected. When the output is connected to an inductive load a diode has to be installed parallel to the load.

**Inductive load on the digital outputs without an installed diode may cause damage on the UltraFlo electronics.**

## Dosing function

*Dosing can be determined in different ways :*

### 1. Flowmeter as dosing device (dosing control via Flowmeter)

Flowmeter controls the complete dosing function. The dosing quantity (e.g. 400 ml) is pre-set in the Flowmeter via the display or Programmtool. Dosing starts, as soon as the digital input is wired to 24V, e.g. via a pushbutton. Flowmeter will open the dosing valve via the output configured for it. When the pre-set dosing quantity is released, the dosing valve is closed via the above output. The dosing procedure can also be started and stopped by using the dosing user menu. The second output can be used independently for signaling empty pipe, limit control or flow direction.

### 2. UltraFlo as dosing device (dosing control via SoftFlo)

UltraFlo controls the complete dosing function. The dosing quantity (e.g. 400 ml) is pre-set in the UltraFlo via the diital interface (RS4B5) with the operating software "Flowsoft". Dosing starts via the dosing-menu in the operating software. UltraFlo will open the dosing valve via the output configured for it. When the pre-set dosing quantity is released, the dosing valve is closed via the above output.

### 3. UltraFlo as flow meter (dosing control via dosing equipment)

The dosing equipment controls the entire dosing function. The dosing quantity is fixed in the dosing equipment control during commissioning by pre-selecting the meter pulses. Dosing starts, when the relevant pushbutton of the dosing equipment is pushed. The control will open the dosing valve. Once the button is pushed UltraFlo will send a voltage pulse to release the metered volume (e.g. per 1ml). Once the pre-selected metered volume is released, the control closes the dosing valve. In this case, output 1 is used to send out pulses.



**The customer has to provide an emergency stop and an overfilling stop to prevent hazardous situations. Both functions must perform safety shut down of pumps and closing of valves.**

# ULTRAFLO 4000

## Multi-Function Ultrasonic Flow Meter

### Media

UltraFlo comes with a medium matrix with up to 8 interpolation values. Different media can be managed in the sub menu "Media". By using the sub menu point "Correction" it is possible to correct flow measurement in percent.

### ■ Digital input I1\*

UltraFlo has a digital input that is programmable for the following functions: dosing input, set offset, creeping suppression inactive and reset counter. In order to start a dosing process, 24V DC power is required. The status of the dosing parameters or modifications can be done via user display or FlowSoft service software via the "USB Converter2".

The dosing input is locked so that a re-start is not possible during a running dosing process. After changing configurations via Flowsoft a restart of the device is necessary to activate the doing input function.

Not all of the following functions are adjustable via the user display. See chapter 3.2 Fig. 10 and 11; Menu organization.

### 3.3 Overview of default settings

Function	Default settings
Digital output Q1	Pulse output as 24V normal open
Digital output Q2*	Empty pipe detection as 24V normal open
Digital input I1*	No function assigned
Current output QA	Flow as 4-20mA signal 20mA -> 3 l/min at DN5 6 l/min at DN7 24 l/min at DN10 60 l/min at DN15
Pulse value	1 ml/pulse
Creeping suppression	0.024 l/min at DN5 0.09 l/min at DN7 0.3 l/min at DN10 0.9 l/min at DN15

### 3.4 General Information

Please check the following before powering the flowmeter for the first time:



- Check the electrical connections and cable allocations
- Check the installation position of the flowmeter. Are the direction of the arrow on the name plate and the actual flow direction in the pipe congruent?
- Is the measurement pipe completely filled with fluid?
- Check the back pressure in the system

When everything has been checked, switch on power. After 30 minutes with power running the measuring device reaches the maximum accuracy.

Now, UltraFlo is operational!

## 4. Exchange of Measuring Device



- Switch off power before disconnecting the electrical connections!
- Wiring installation, disassembly and removal must be performed by qualified persons experienced and knowledgeable about electrical work.
- Serious injury or death from electric shock may occur if wiring, installation, disassembly or remove of wires is performed while electrical power is energized
- Please note that after replacing the flowmeter
  - a) the programming of the previous flowmeter should be saved and copied on the new flowmeter
  - b) when using the dosing function, set a quantity

If the device requires a configuration change, the display and programming unit SoftFlo or the SoftFlo programming software and a “USB Converter 2” as well as a PC are required (see section 6. Accessories).

### ***Repair, Hazardous Substances***

Before sending the flowmeter Flowmeter for repair, the following precautions must be taken:



**Clean all process chemicals from the device. Fully rinse the flow path. Please pay close attention to the process fittings. All media must be removed before returning. This is particularly important, if the medium to be measured is health hazardous.**

Devices judged to be insufficiently cleaned will be returned to sender. No inspection of device will be done until proper cleaning is completed by user.

Costs due to inadequate cleaning of the instrument for possible disposal or injury (burns, etc.) will be charged to the sender of the meter into account.

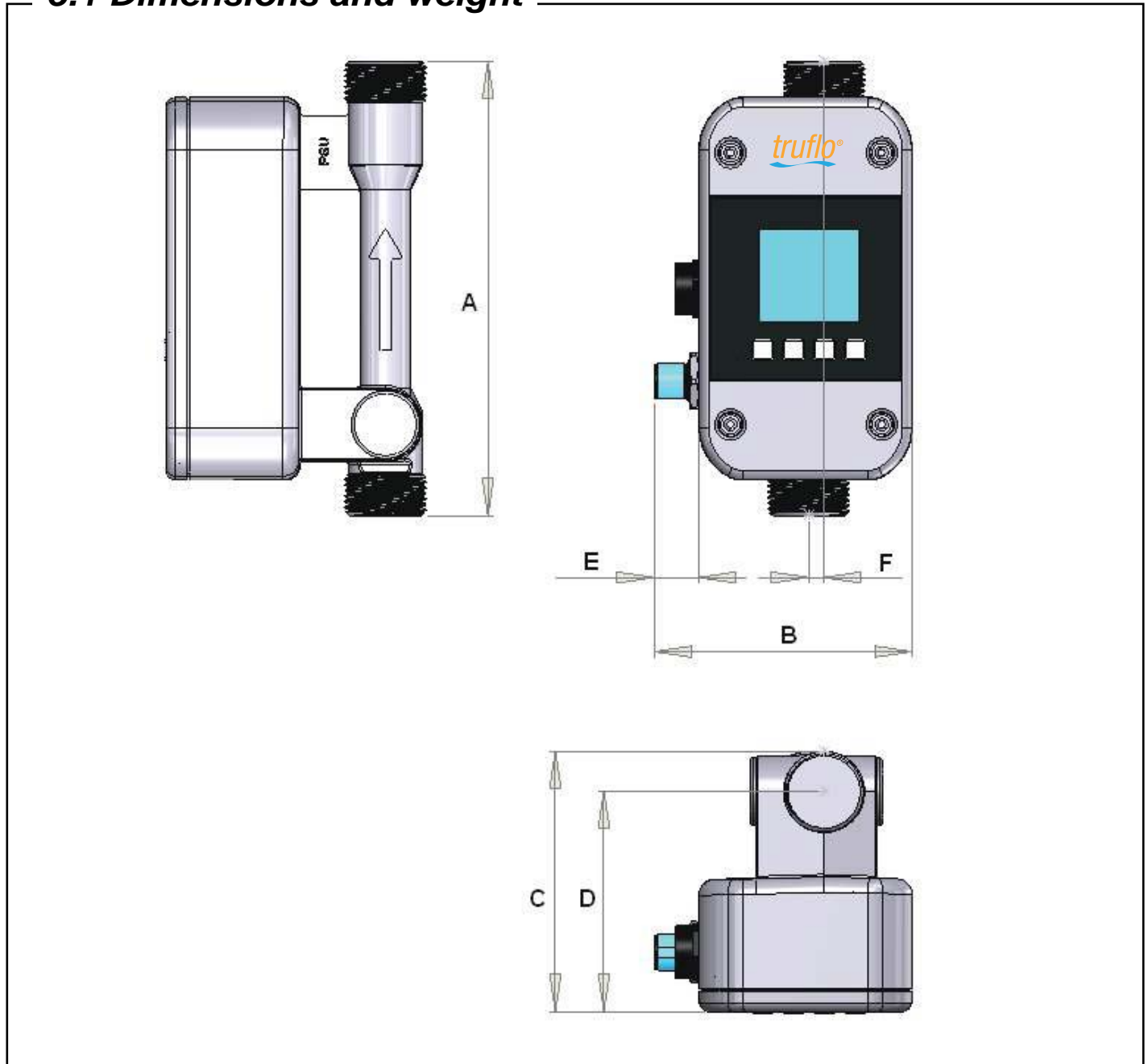


**With the flowmeter send a detailed report describing the failure, the application and the physical-chemical properties of the medium parameters. (e.g. a decontamination declaration).**

In order to be able to process your repair order quickly and smoothly it is important that you provide a technical contact person including phone and fax number as well as e-mail address.

## 5. Technical specifications

### 5.1 Dimensions and weight



Nominal Diameter	Connection	Lengths A [mm]	Widths B [mm]	Height C [mm]	Height axis D [mm]	Plug E [mm]	Parting line F [mm]	Weight [g]
DN10 3/8"	½ G,NPT	147.0	84.0	83.0	70.5	15.0	5.0	332
DN15 1/2"	¾ G,NPT	147.0	84.0	84.5	71.1	15.0	5.0	344
DN20 3/4"	1 G,NPT	160.0	84.0	94.2	77.6	15.0	5.0	414
DN25 1"	1 ¼ G,NPT	168.0	84.0	98.5	77.6	15.0	5.0	454

## 5.2 Technical Specifications

### Housing

Nominal diameters	DN10 - 3/8", DN15 - 1/2", DN20- 3/4", DN25 - 1"
Connection	inch thread G, inch thread NPT, clamp connection DIN11864-3 BKS-Clamp Form A
Medium temperature	0...+80°C
Protection class	IP 67
Pressure nominal	16 Bar / 232Psi for DN10 – 3/8" and DN15 – 1/2" 10 Bar / 145Psi for DN20 – 3/4" and DN25 – 1"
Material	all parts in contact with medium made of PSU (Polyphenylsulfone) Electronics housing made of PSU (Polyphenylsulfone)

### Electronics

Power supply	18...30VDC
Power input	at 24V DC = 3.6W
Connection	Plug 5 pins, option plug 8 pins
Ambient temperature	0...+60°C
Storage temperature	0...+70°C
Current output QA	0/4...20 mA Lower- and upper limit adjustable, Ground connected to supply ground Error Signal according to NAMUR NE43
Digital output Q1/2	via transistor npn- and pnp-logic max. 30V/100mA output voltage according to DIN 19240: ≤5V means Low ≥12V means HIGH Short cut resistant Frequency 0...10kHz
Data interface	Data interface for parameterize
Measuring deviation	± 2% of reading ± 3mm/s (± 6mm/s for DN10 – 3/8") Option: ± 1% of reading ± 3mm/s (± 6mm/s for DN10 – 3/8") Reference conditions (VDE/VDI 2642)
Measuring range	0.3 – 21 l/min for DN10 – 3/8" 0.9 – 36 l/min for DN15 – 1/2" 3.5 – 60 l/min for DN20 – 3/4" 5.0 – 240 l/min for DN25 – 1"
Repeatability	0.5%

# ULTRAFLO 4000

## Multi-Function Ultrasonic Flow Meter

### ■ Digital outputs

All outputs switch over to high resistance when the supply is smaller than 18V. When overload or short circuit is detected the digital outputs are switched off after 100µs for a period of 2s. When time is up the outputs get applied again.

#### Empty pipe output

	Empty pipe	Filled, no flow
NPN normal closed	High resistant	0V
NPN normal open	0V	High resistant
PNP normal closed	High resistant	24V
PNP normal open	24V	High resistant

#### Pulse output

	Empty pipe	Filled, no flow	Filled, flow
NPN normal closed	0V	0V	0V Pulse
NPN normal open	0V	0V	0V Pulse
PNP normal closed	High resistant	High resistant	24V Pulse
PNP normal open	High resistant	High resistant	24V Pulse

#### Lower limit output

NPN normal closed	High resistant	High resistant	0V
NPN normal open	0V	0V	High resistant
PNP normal closed	High resistant	High resistant	24V
PNP normal open	24V	24V	High resistant

#### Higher limit output

	Below lower limit	Between the limits	Above upper limit
NPN normal closed	0V	High resistant	High resistant
NPN normal open	High resistant	0V	0V
PNP normal closed	24V	High resistant	High resistant
PNP normal open	High resistant	24V	24V



### Dosing output

	Startup of device	While dosing	Before/after dosing
NPN normal closed	High resistant	High resistant	0V
NPN normal open	High resistant	0V	High resistant
PNP normal closed	High resistant	High resistant	24V
PNP normal open	High resistant	24V	High resistant



**Important!** When using the dosing function the output should not be configured as normal closed!

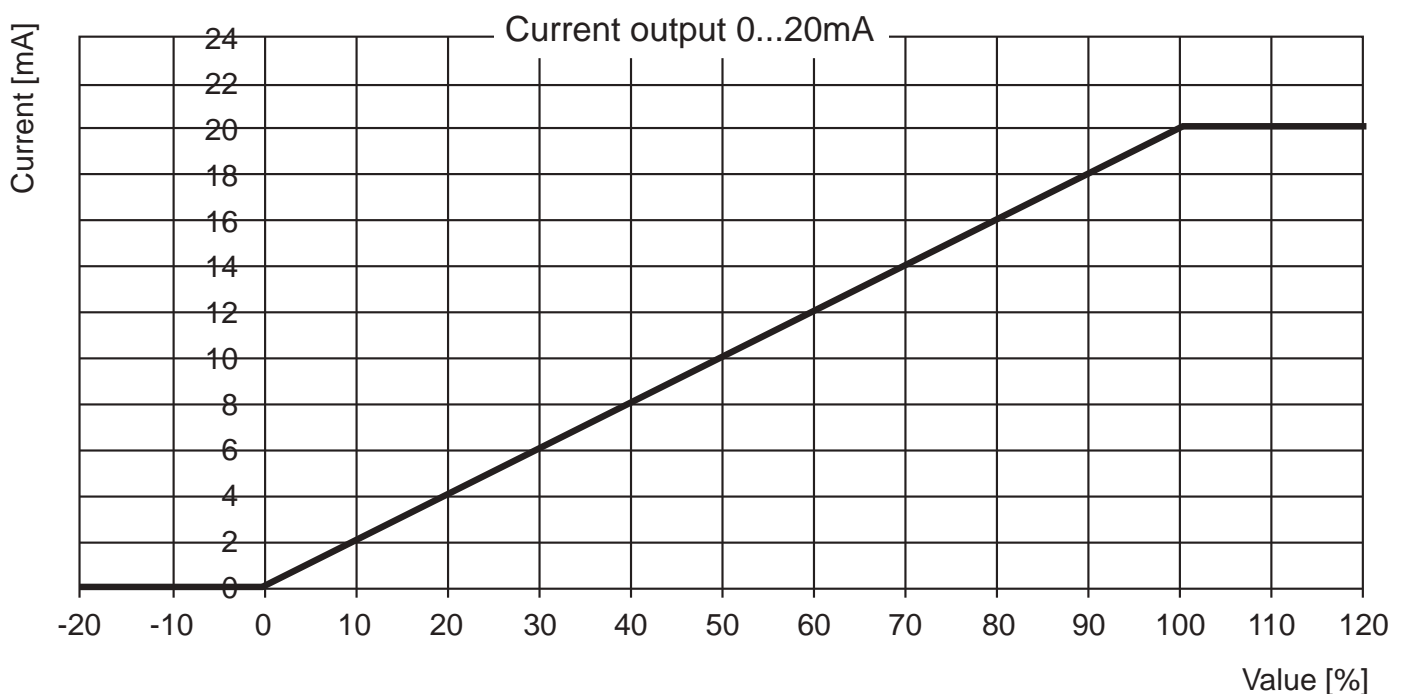
If the dosing output is configured as normal closed the valve will stay open after the dosing batch.

### Characteristic curves analog output

The analog output is available as current output 4-20mA or 0-20mA. This is selected with the purchase order. As a standard it comes with current output 4-20mA. It can also be switched off by using the device menu or Programmtool.

#### 0 - 20mA

For the following graphic "min Range" is used for 0% and "max Range" is used for 100%.





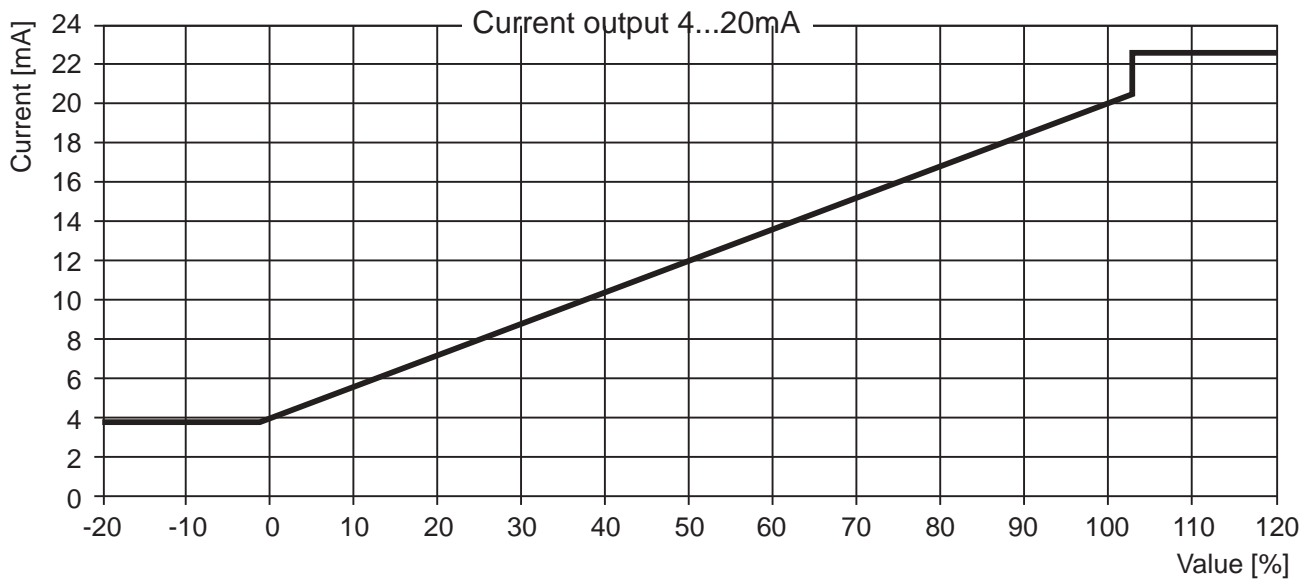
# ULTRAFLO 4000

## Multi-Function Ultrasonic Flow Meter

Value	Current [mA]
Smaller 0%	0
0% (min Range)	0
Between 0% and 100%	Linear interpolation from 0 to 20 mA
100% (max Range)	20
Bigger 100%	20
Bigger max Value	20

### 0 - 20mA

For the following graphic "min Range" is used for 0% and "max Range" is used for 100%



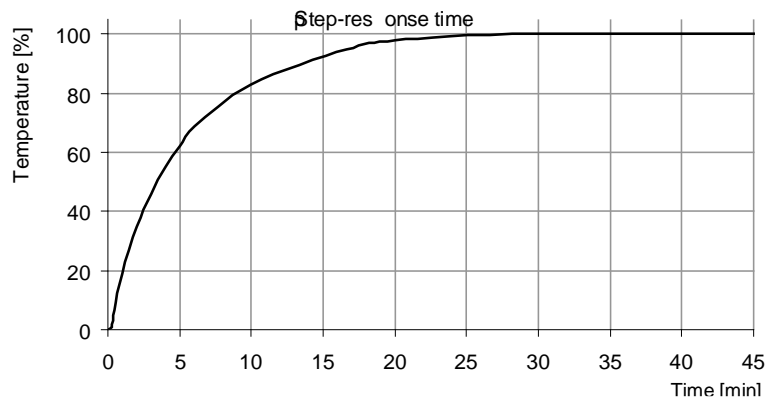
Value	Current [mA]
Empty pipe	3.5
Smaller -1.2%	3.8
Between -1.2% and 0%	Linear interpolation from 3.8 to 4mA
0% (min Range)	4
Between 0% and 100%	Linear interpolation from 4 to 20mA
100% (max Range)	20
Between 100% and 103%	Linear interpolation from 20 to 20.5mA
Bigger 103%	22.6

### Behavior of the Temperature Sensor

The integrated temperature sensor has no direct contact to the liquid and is used to calculate the expansion of the housing. The environment temperature greatly influences the actual temperature of the temperature sensor. The response time of temperature changes relates to the mounting position of the temperature sensor inside the housing.

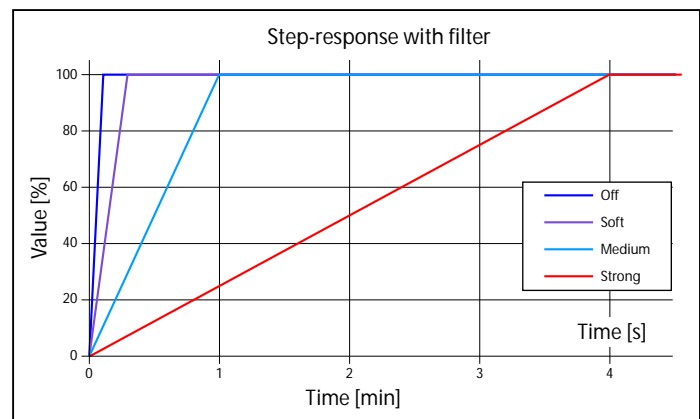
### Step-Response Time

Step-response time after a significant temperature change. (Filter "Off")



### Filter Configurations for Temperature Sensor

<b>Filter</b>	100%
<b>Off</b>	1s
<b>Soft</b>	16s
<b>Medium</b>	1min
<b>Strong</b>	4min



Influence of the environment temperature

In the table below some examples of the temperature influence are shown.

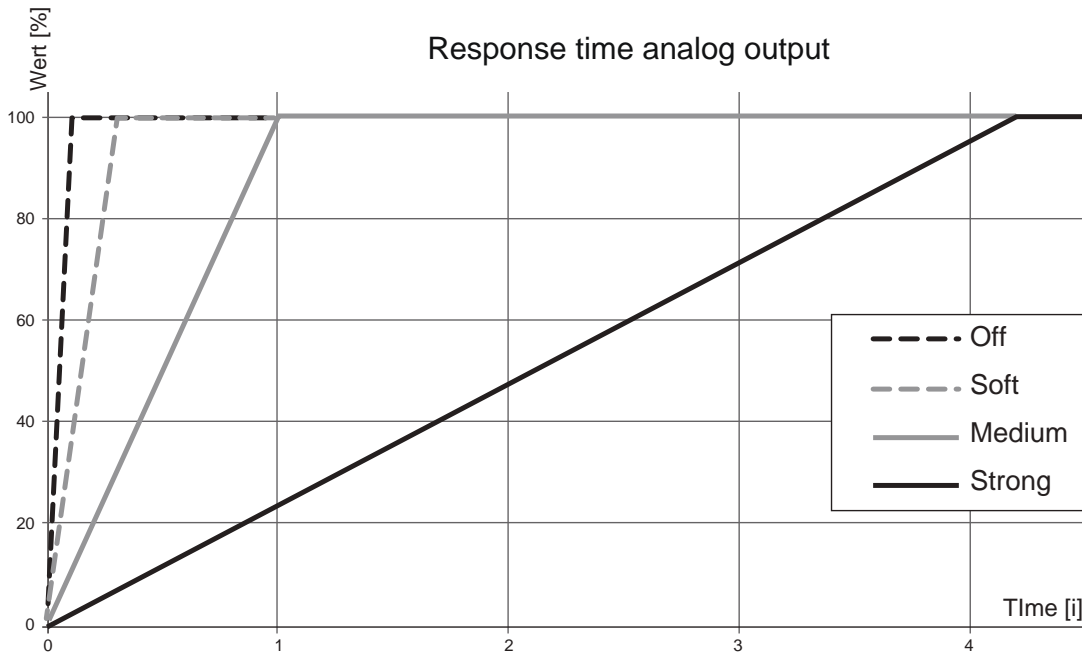
Liquid Temp	X	0.7	+	Environment temp.	X	0.3	=	Measured temp.
40	X	0.7	+	20°C	X	0.3	=	34°C
40	X	0.7	+	20°C	X	0.3	=	37°C
40	X	0.7	+	20°C	X	0.3	=	40°C
60	X	0.7	+	20°C	X	0.3	=	48°C

### In case of an error :

In case of a short circuit of the temperature sensor -50°C are shown.

In case of a cable brake between temperature sensor and electronic -30°C are shown.

### Filter options for analog output



Filter	100%
off	16ms
soft	0,3s
medium	1s
strong	4,2s

### Digital input

When input setting is changed a device restart is required. After restart the changes are activated.

Available input functions:

40	Set offset	Creeping flow off	Dosing	Reset counter	off
40	-	-	-	20°C	-
40	Rising edge: 0->24V Set offset	State: deactivating creeping flow	Rising edge: 0->24V start dosing	Rising edge: 0->24V counter is reset	-

only use when there is currently no flow

**Possible error text UltraFlo\***

Display text	Pulse value	Behavior
Empty Pipe	When "Empty Pipe" is detected, no flow measurement	Display flashing + text
Low Voltage	When power supply is less than 18V the outputs are inactive.	Display flashing + text
Short Circuit	When over load of the digital outputs is detected (>100mA), outputs are inactive.	Only text
Lower Limit	When the flow is less than an adjustable limit and the output is configured for limit control.	Only text
Upper limit	When the flow is more than an adjustable limit and the output is configured for limit control.	Only text
Sonic Speed	Actual sonic speed out of specified value. Run basic trim!	Only text

## 6. Accessories

### **FloVu 100**

Evaluation and management unit for up to 10 ultrasonic volume flow meter UltraFlo. Flovu 100 is based on a compact SPS-control with integrated touch screen.

Order code 909765

### **Truflo connection socket**

Truflo connection socket is used to power and connect UltraFlo 4000 to an external control unit.

Order code 507321 (Socket 5 pins)

Order code 800845 (Socket 8 pins)

### **FloCon 200**

External display and programming unit for use in combination with ultrasonic flow measuring devices UltraFlo. FloCon 200 can also be installed as separate display for UltraFlo.

Order code 908873

### **USB-toRS485-Converter**

Interface converter from USB to RS485 with spring terminal connection for quick-connection of UltraFlo and SoftFlo / part 1, PC software for configuration of ultrasonic volume flow meter UltraFlo.

Order code 908728

## 7. Shipment

The device UltraFlo delivered without additional material like connection socket or cable. We recommend ordering a connection socket (Ordercode 507321) to supply the measuring device.

**ULTRAFLO 4000**

**Multi-Function Ultrasonic Flow Meter**

Distributed By aetna Plastics  
www.aetnaplastics.com



# UltraFlo4000

**Specifications may be modified without notice in advance.  
For More Information Visit [TrufloSales.com](http://TrufloSales.com)**